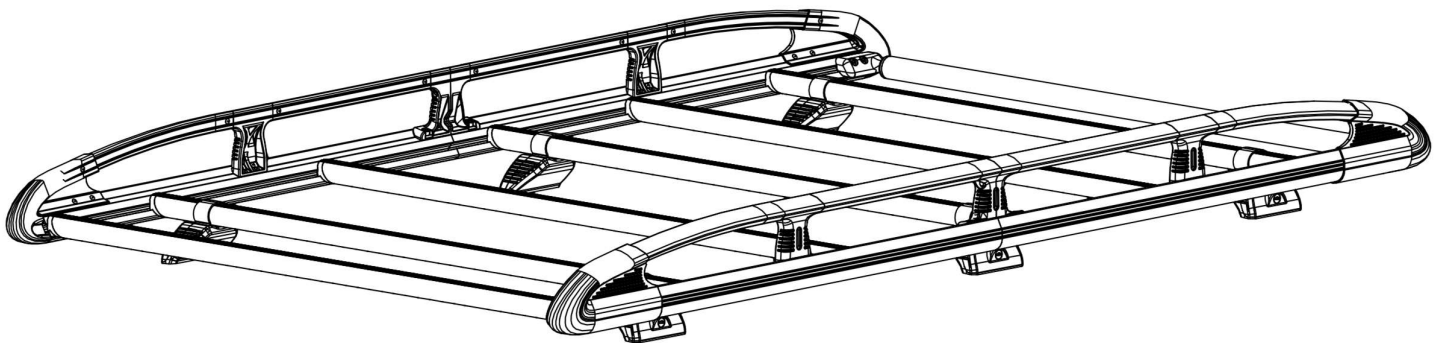


GA3KR

KammRack

Instructions



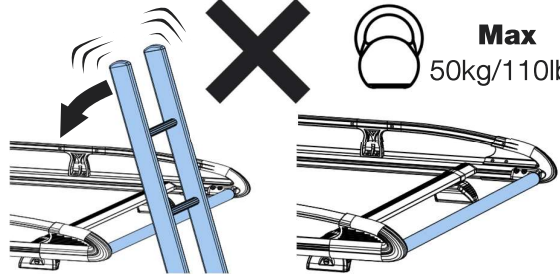
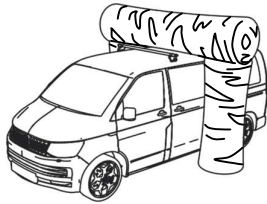
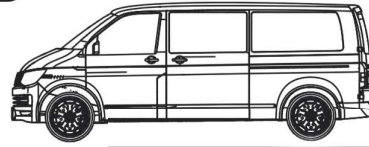
CITY CRASH (✓)

According to ISO/ PAS 11154:2006

GA3KR:

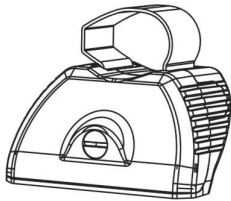
CITROEN Berlingo, 2008 – 2018

PEUGEOT Partner, 2008 – 2018

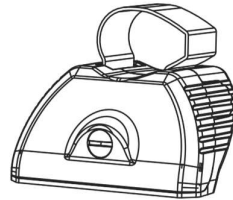


Max
50kg/110lbs

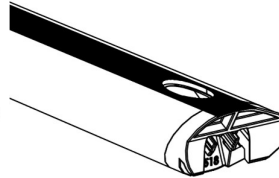
KammRack



SA397U x 3



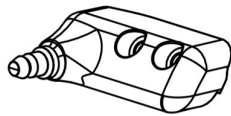
SA398U x 3



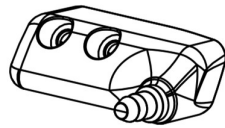
SA428



C04 x 6
optional upgrade



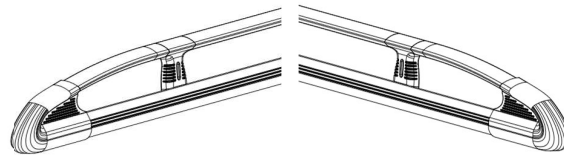
PS519 x 1



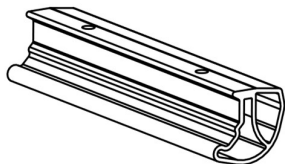
PS520 x 1

LHS x 2

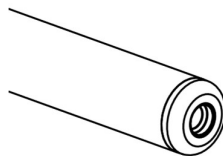
RHS x 2



ASF x 1

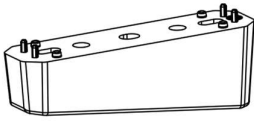


EXT15-02 x 2

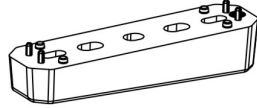


SA436 x 1

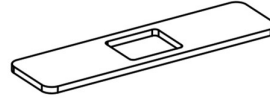
Fitting Kit



PS175 x 2



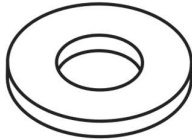
PS176 x 2



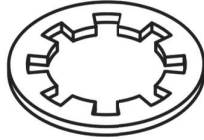
PS047 x 6



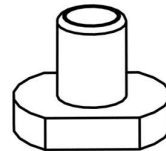
FT01 x 1



FW002 (M8) x 6



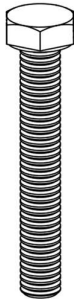
FW009 (M8) x 6



FN085 x 16



FT05 x 1



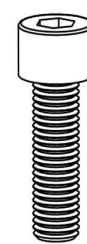
FS091
(M8 x 60) x 2



FS101
(M8 x 45) x 2

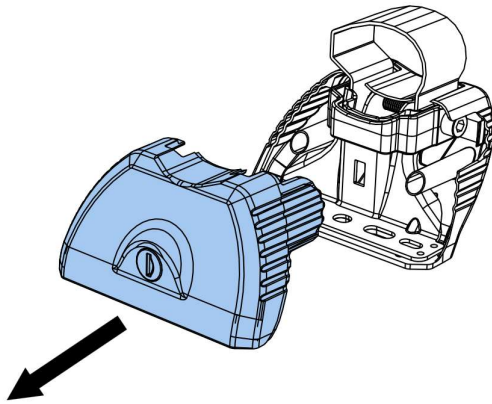


FS062
(M8 x 25) x 2

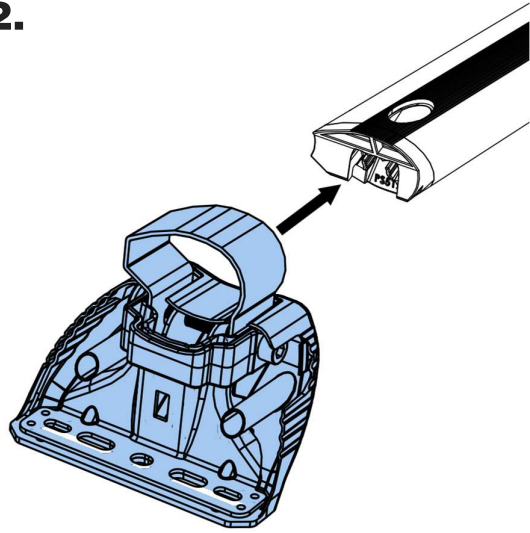


FS059
(M8 x 25) x 16

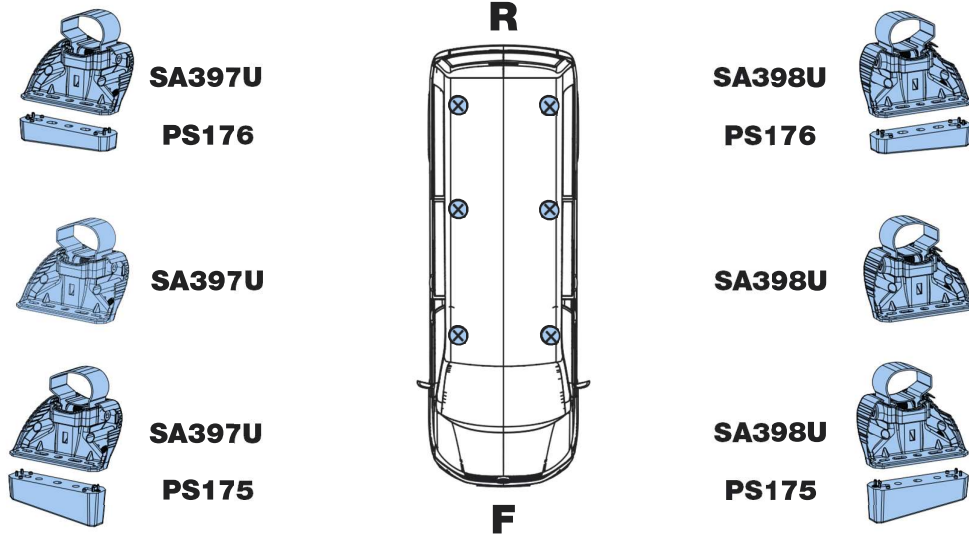
1.



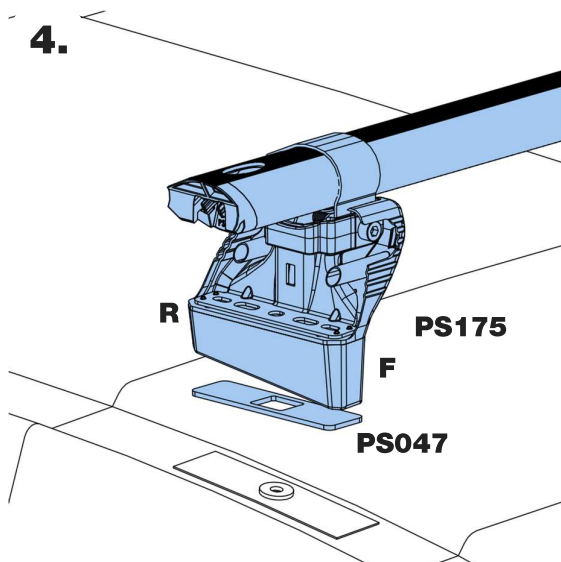
2.



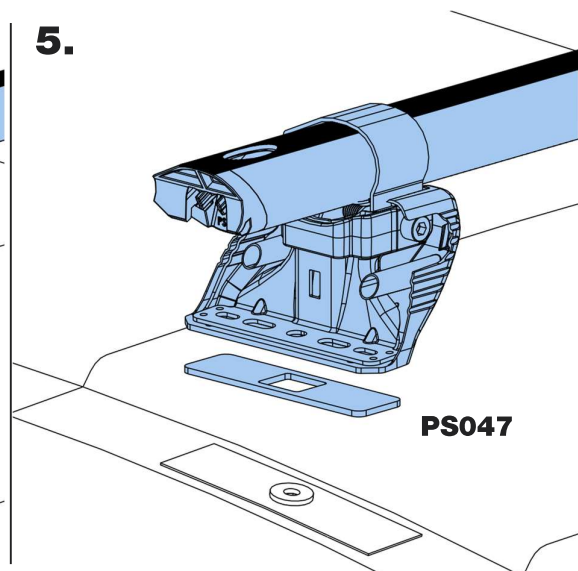
3.

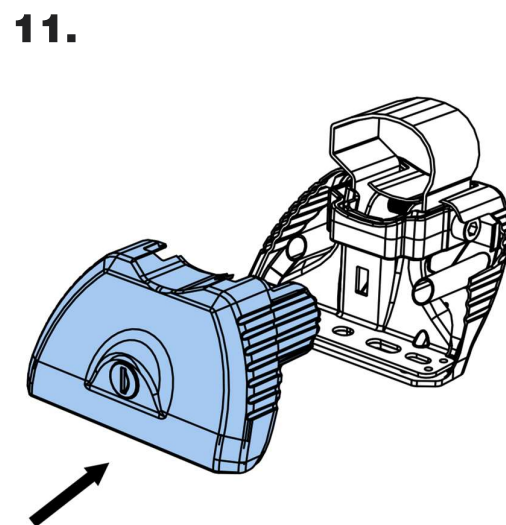
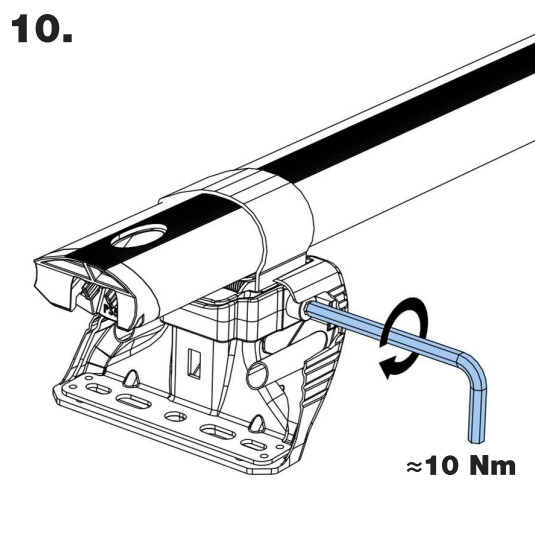
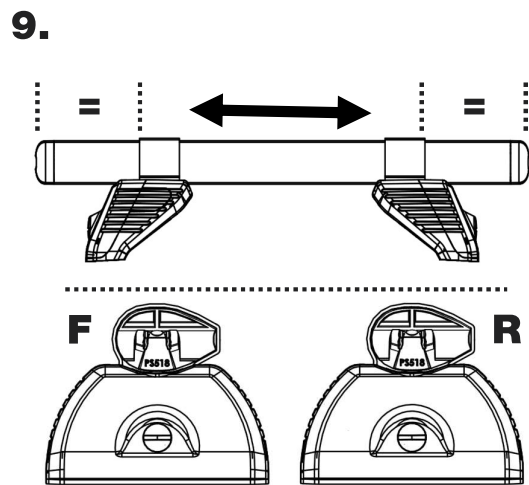
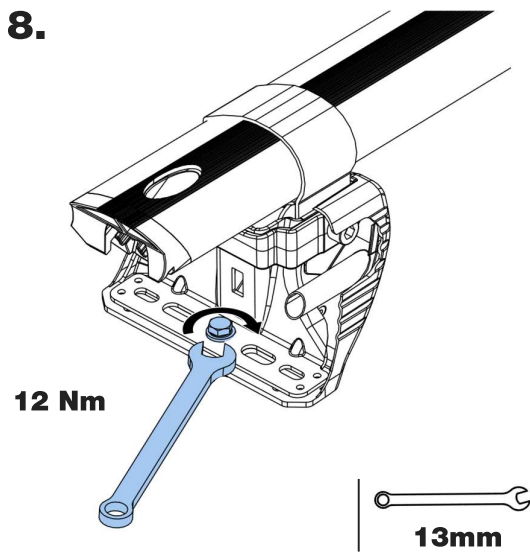
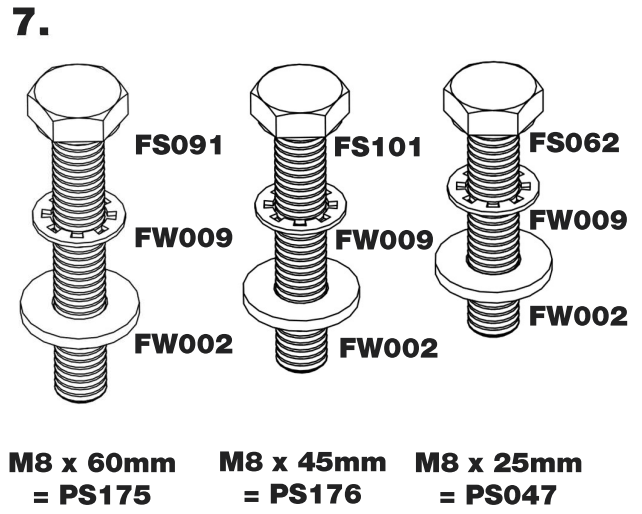
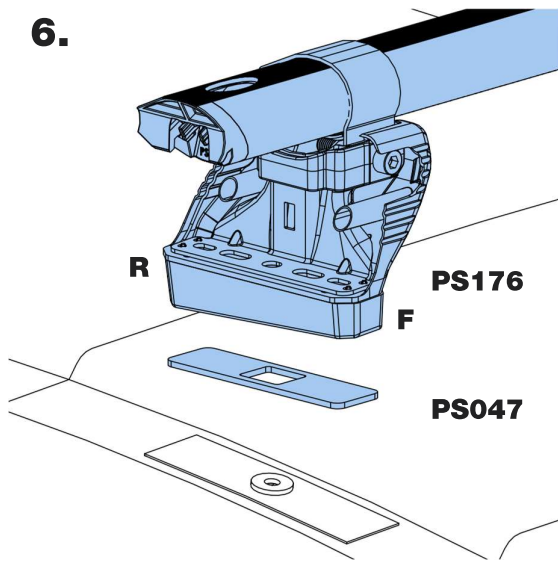


4.

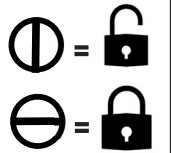
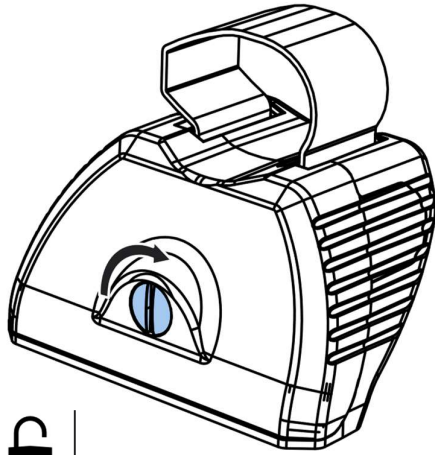


5.

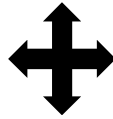
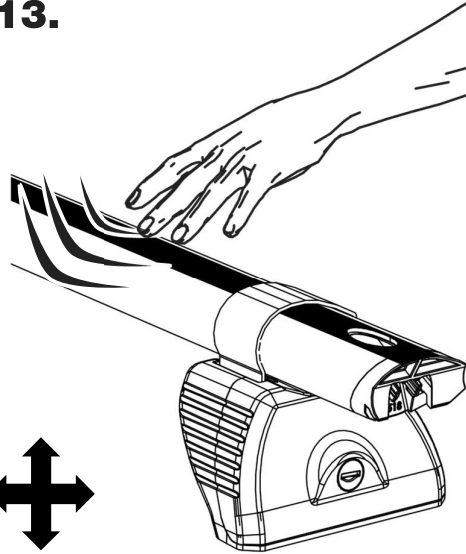




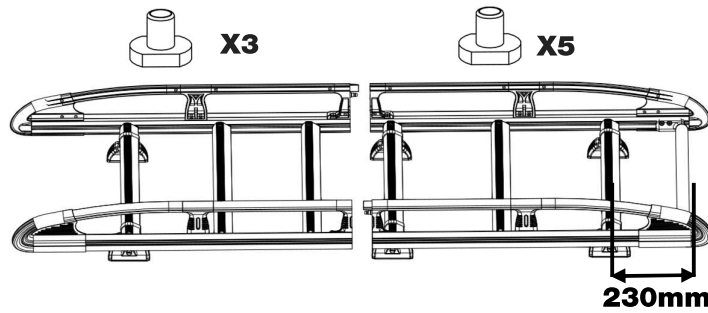
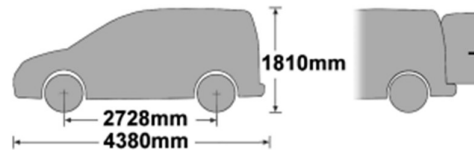
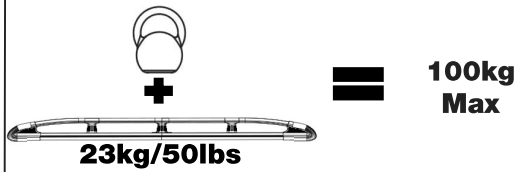
12.



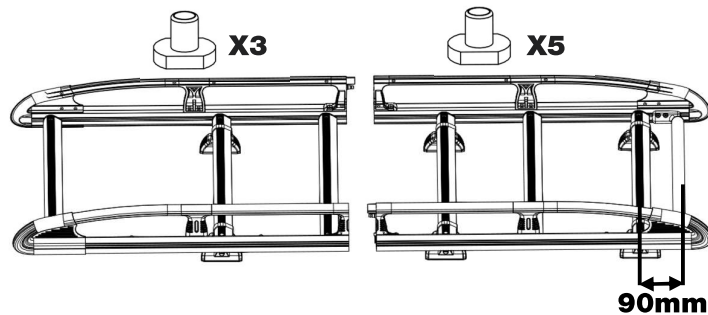
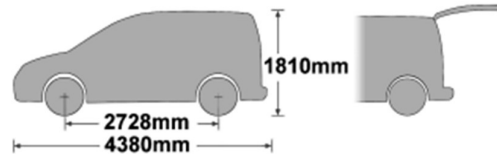
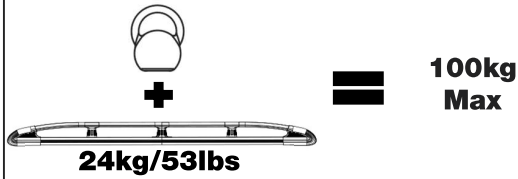
13.



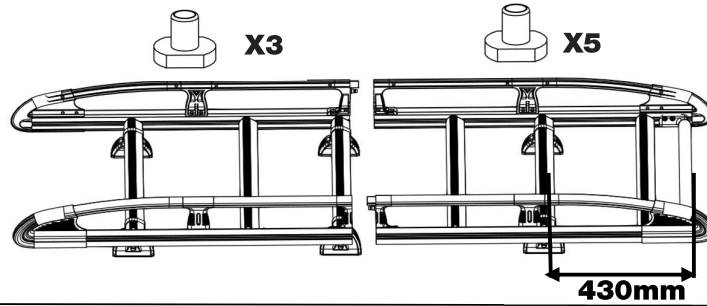
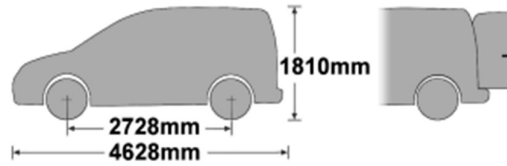
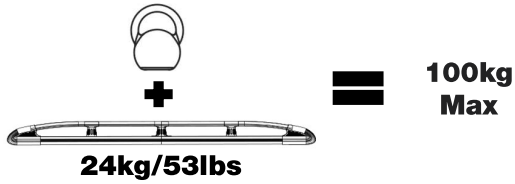
K590- Berlingo/Partner 2008- L1, H1, Twin Doors



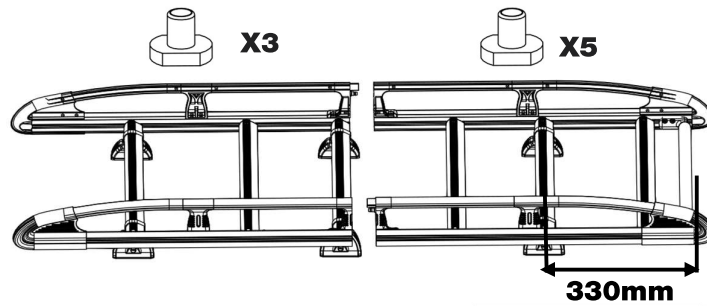
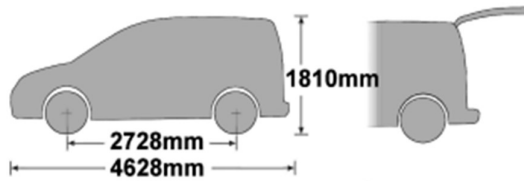
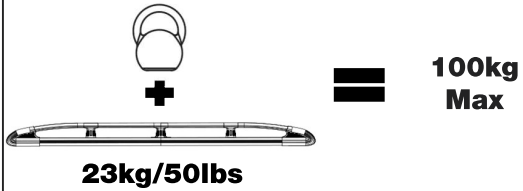
K592- Berlingo/Partner 2008- L1, H1, Tailgate

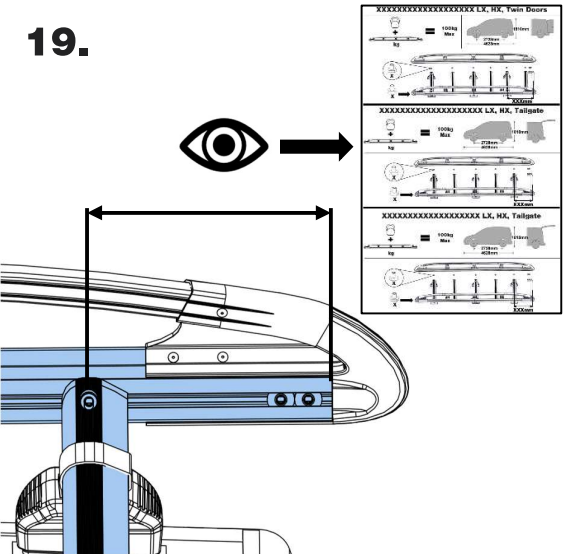
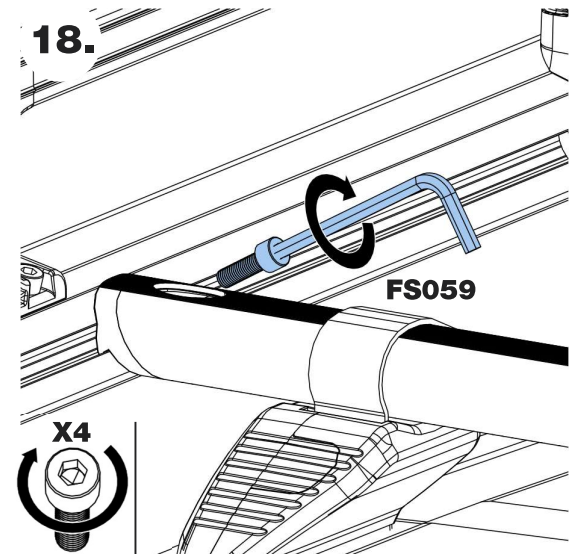
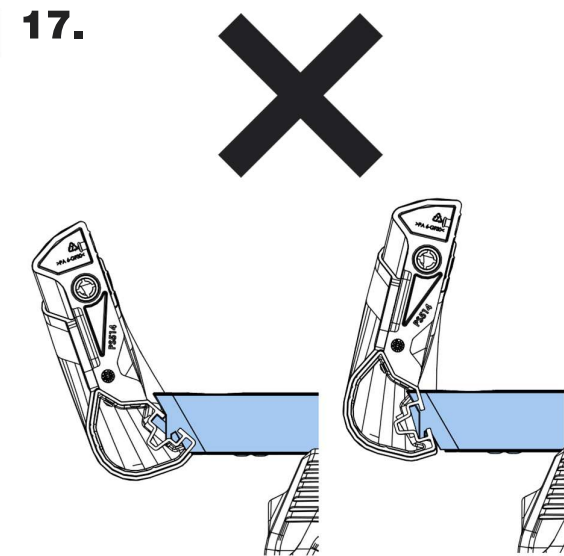
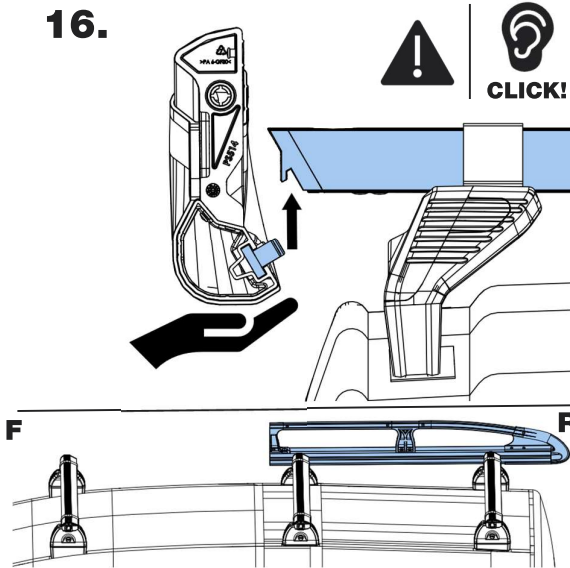
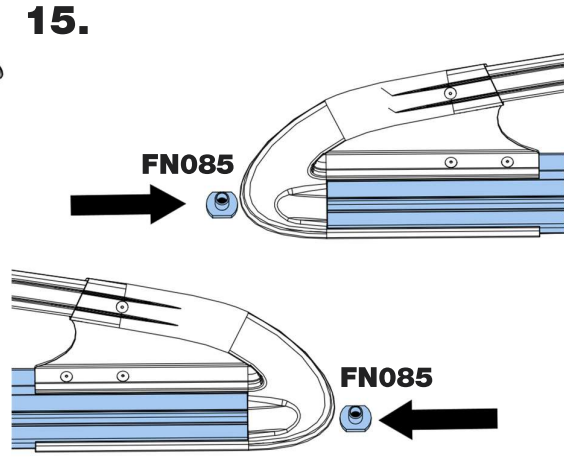
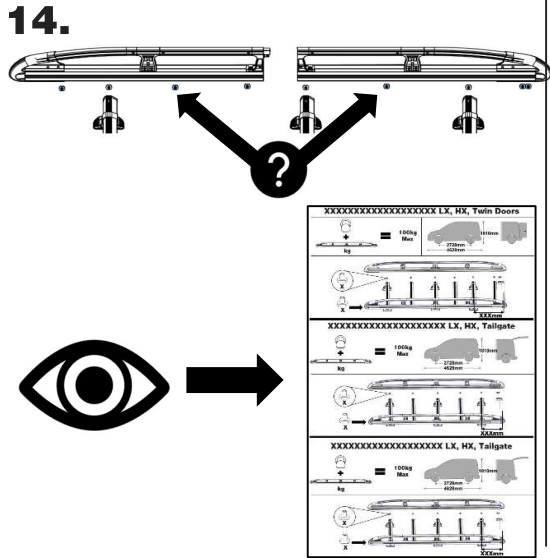


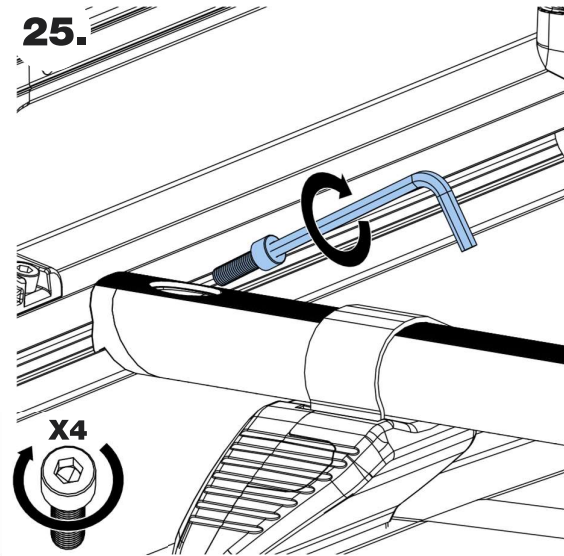
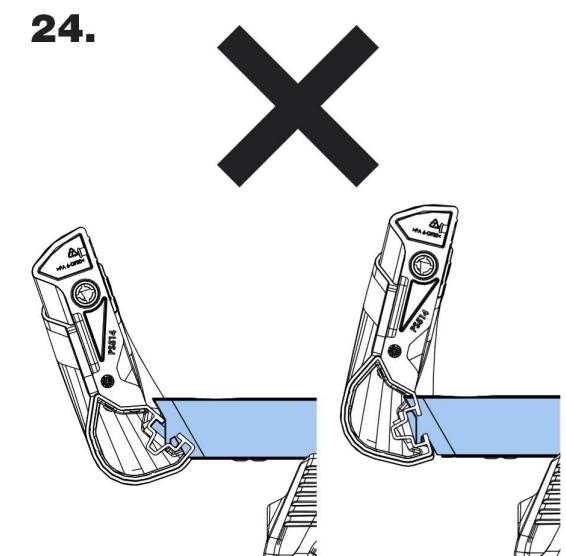
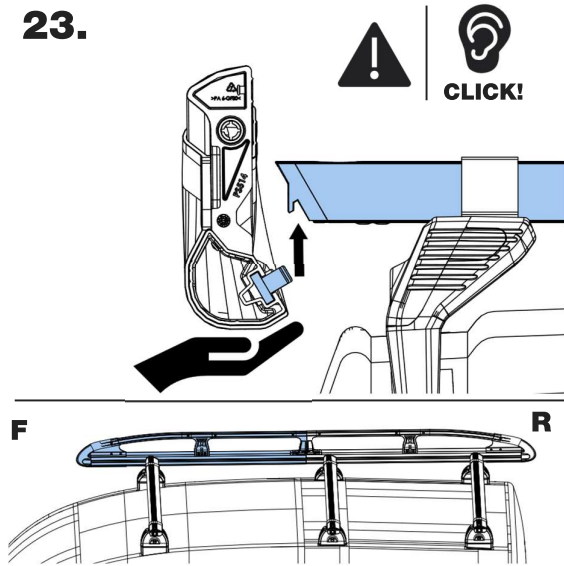
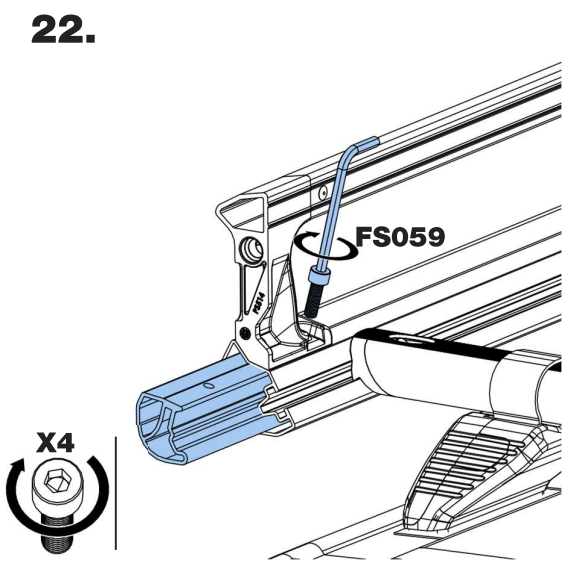
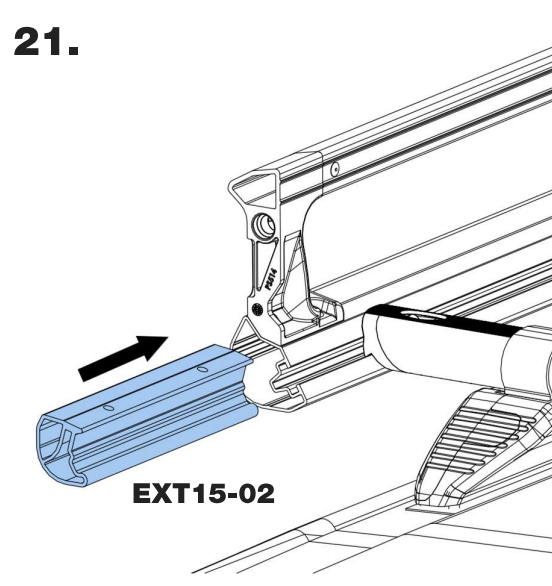
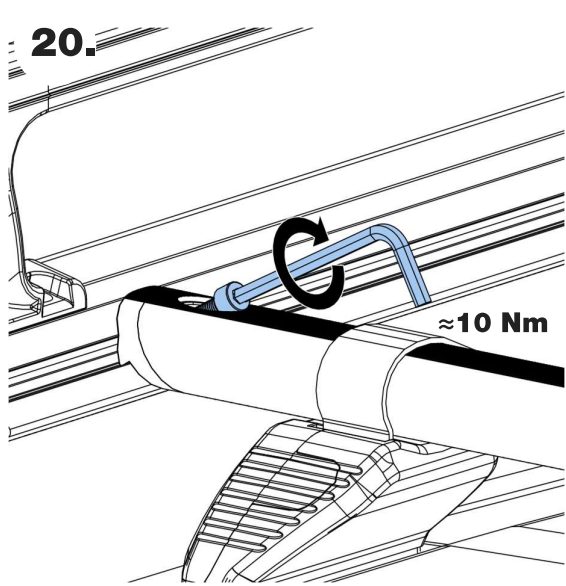
K591- Berlingo/Partner 2008- L2, H1, Twin Doors



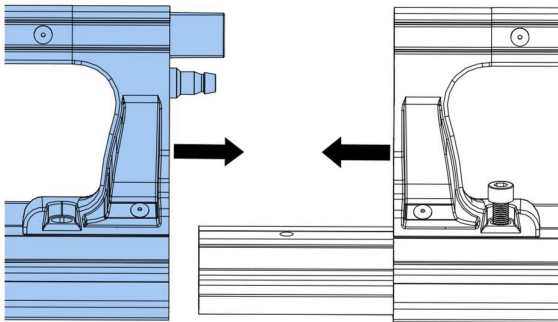
K590- Berlingo/Partner 2008- L2, H1, Tailgate



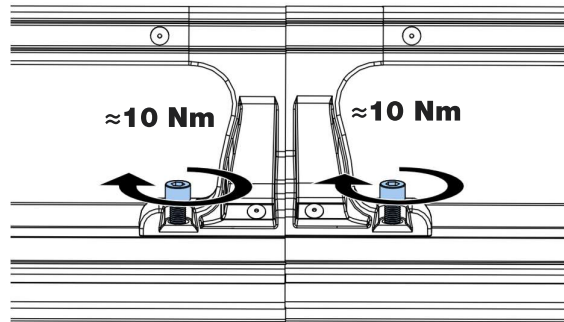




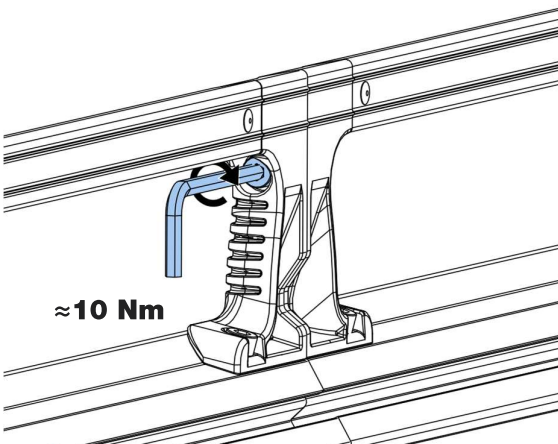
26.



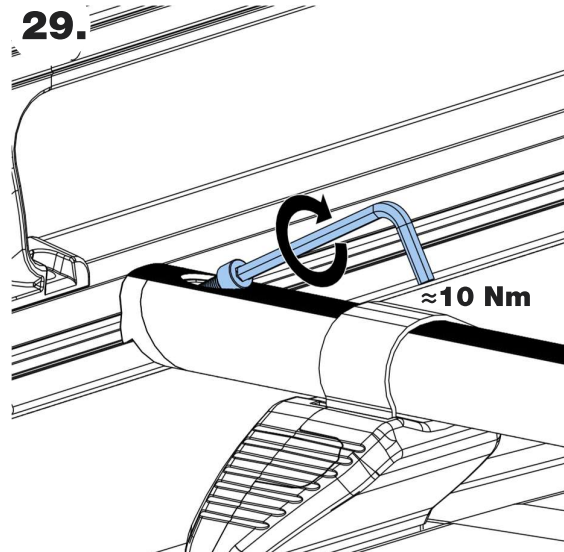
27.



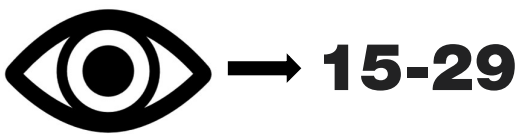
28.



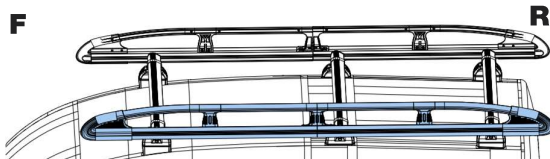
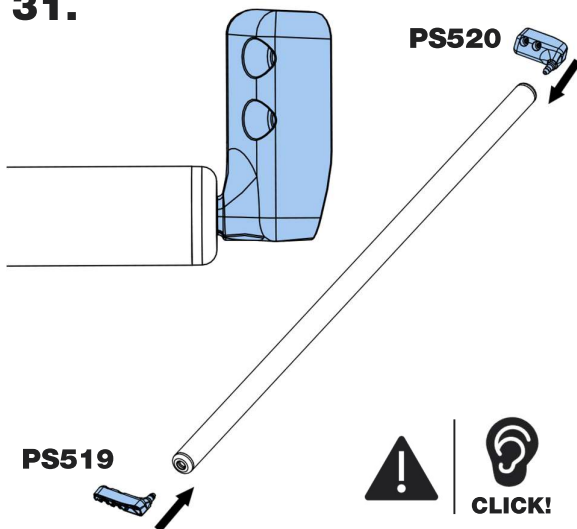
29.

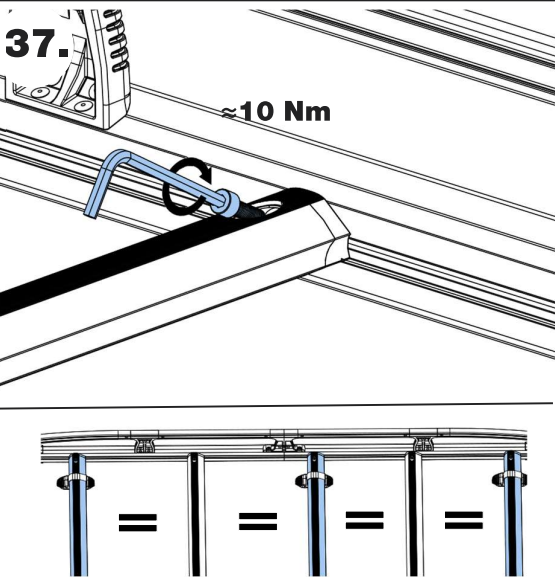
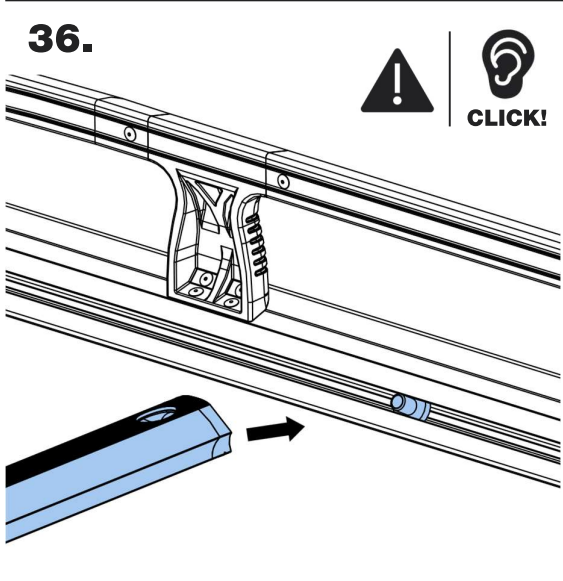
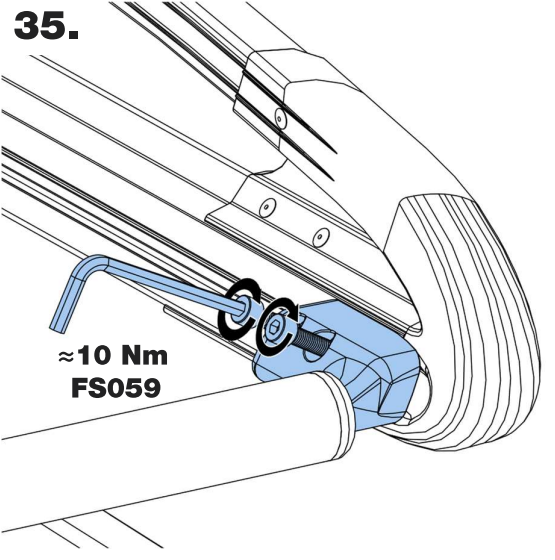
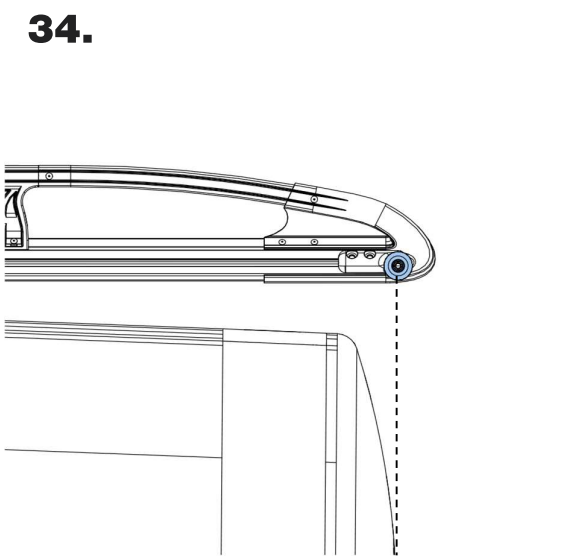
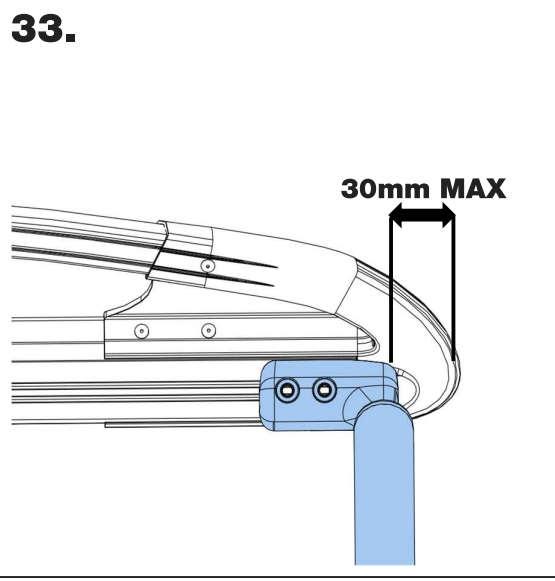
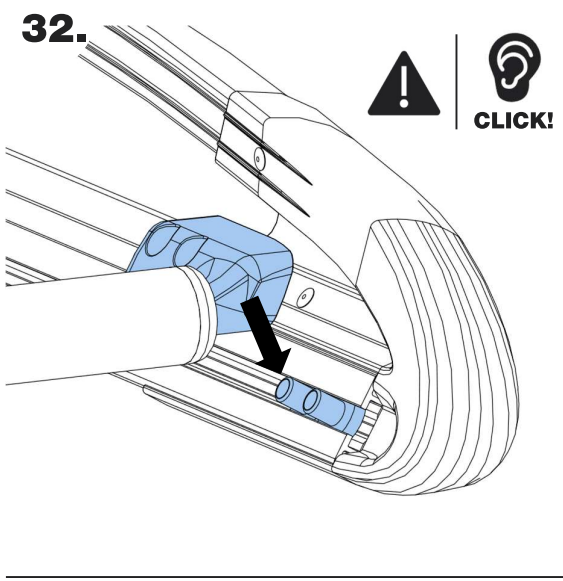


30.

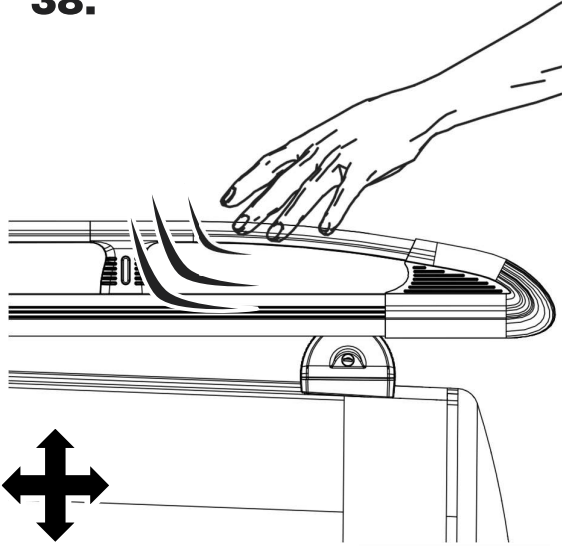


31.

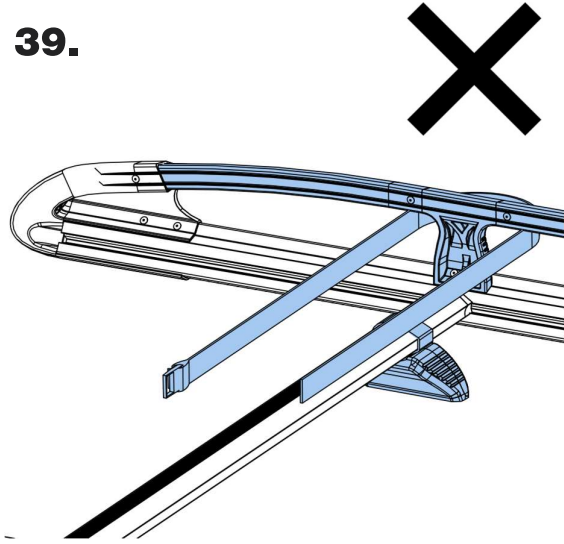




38.



39.



40.

