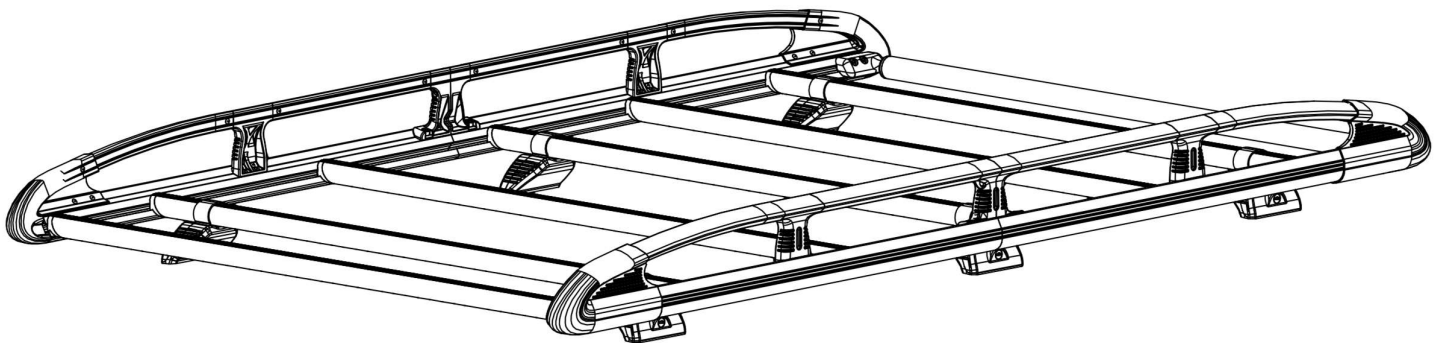


# IA63KR

# KammRack

## Instructions

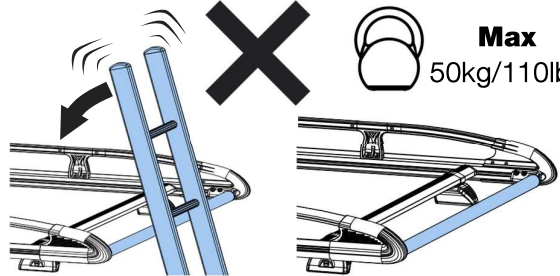
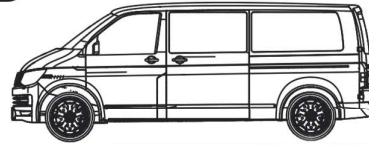


**CITY CRASH** (✓)

According to ISO/ PAS 11154:2006

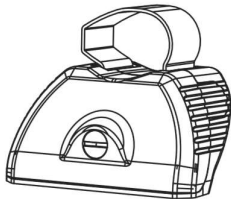
**IA64KR:**

**CITROEN** Relay, 2006 – Onwards  
**PEUGEOT** Boxer, 2006 – Onwards  
**FIAT** Ducato, 2006 – Onwards  
**VAUXHALL** Movano 2020- Onwards

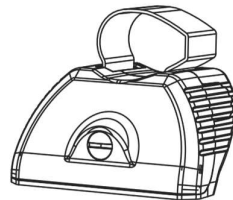


**Max**  
50kg/110lbs

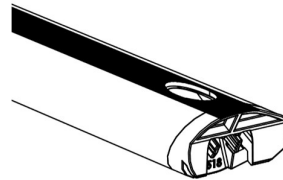
**KammRack**



**SA397U x 3**



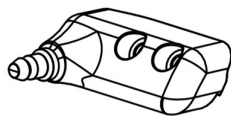
**SA398U x 3**



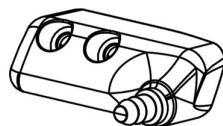
**SA430**



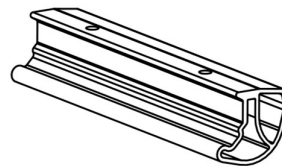
**C04 x 6**  
\*optional upgrade\*



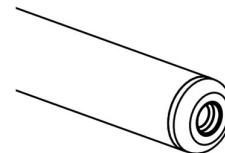
**PS519 x 1**



**PS520 x 1**



**EXT15-02 x 4**

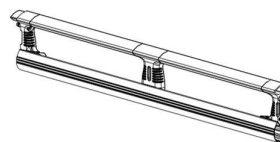
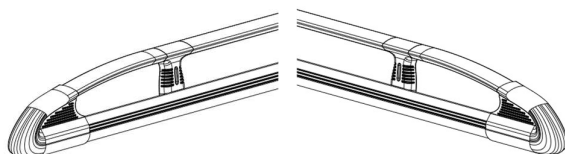


**SA438 x 1**

**LHS x 2**

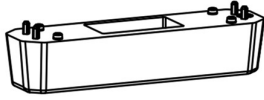
**RHS x 2**

**Centre x 2**

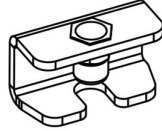


**ASF x 1**

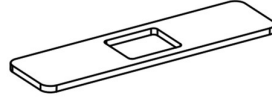
## Fitting Kit



**PS180 x 6**



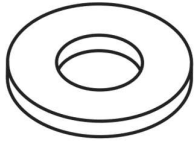
**SA068 x 6**



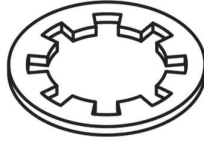
**PS047 x 6**



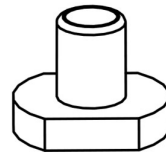
**FT01 x 1**



**FW002 (M8) x 6**



**FW009 (M8) x 6**



**FN085 x 22**



**FS067**   
**(M8 x 20) x 6**

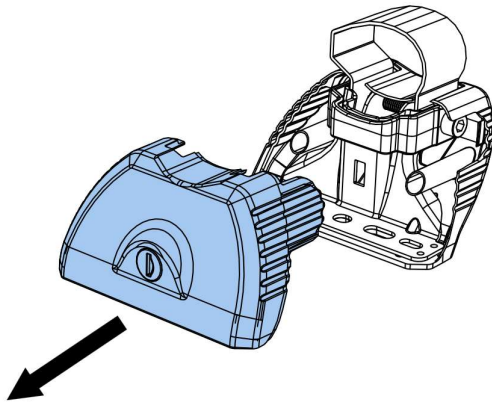


**FS018**   
**(M8 x 25) x 22**

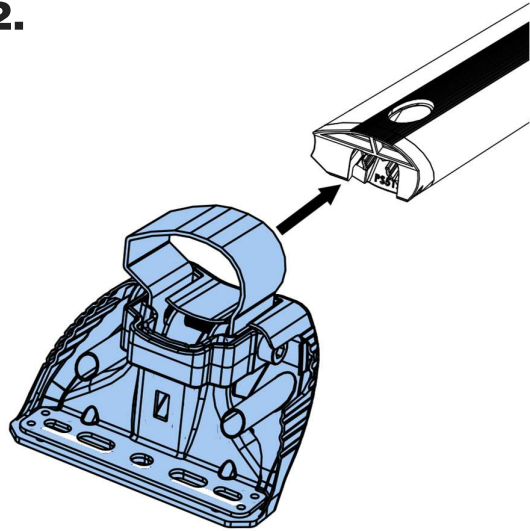


**FT01 x 1**

1.



2.



3.



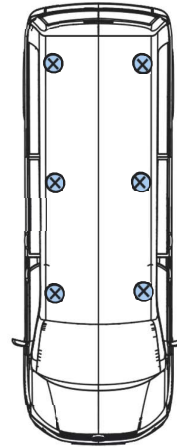
SA397U  
PS180

R

SA398U  
PS180



SA397U  
PS180



SA398U  
PS180



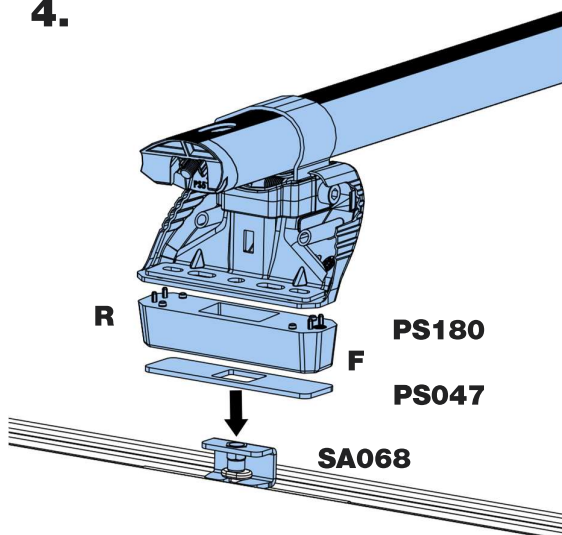
SA397U  
PS180

SA398U  
PS180

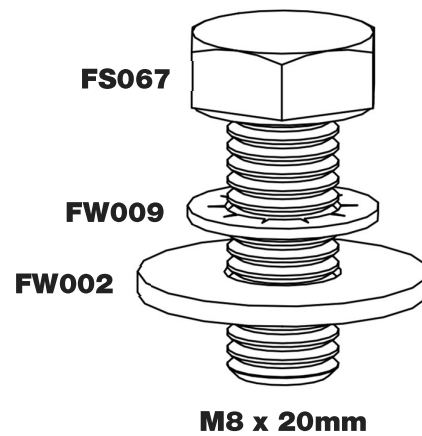


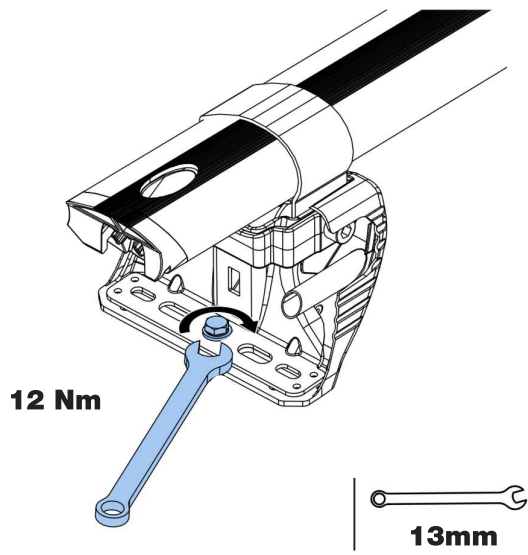
F

4.

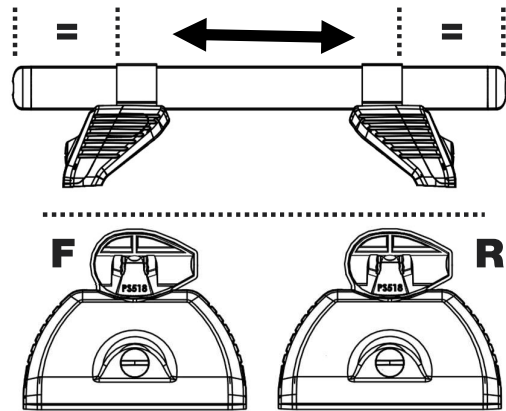


5.

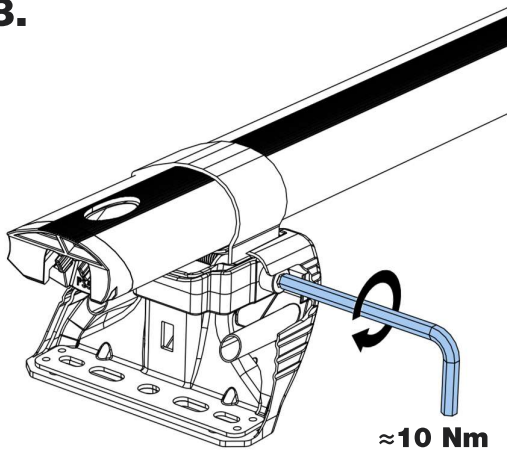




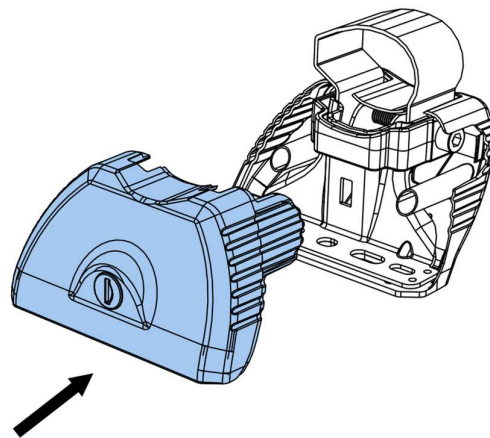
7.



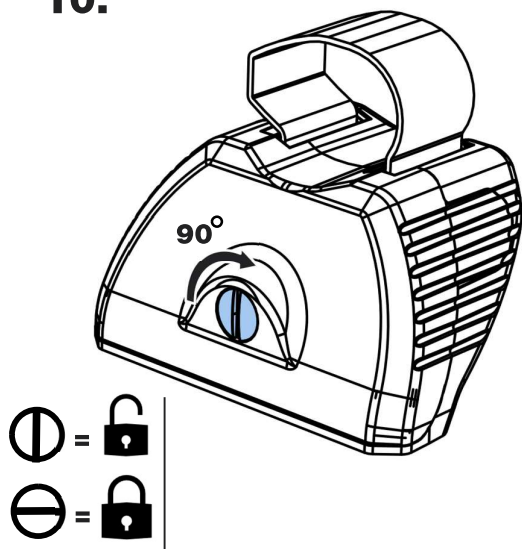
8.



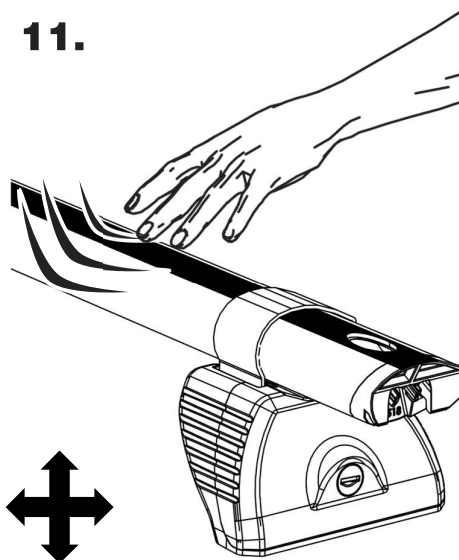
9.



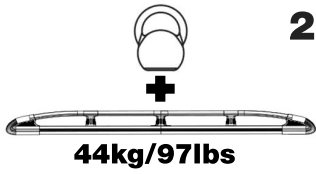
10.



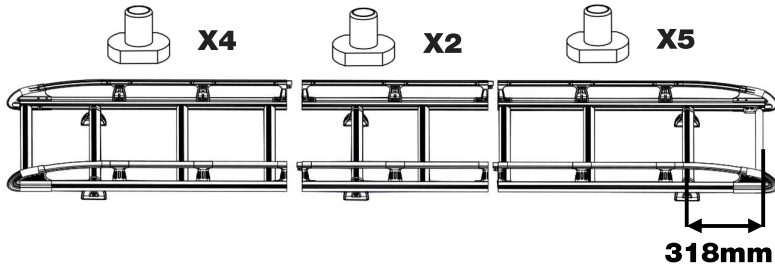
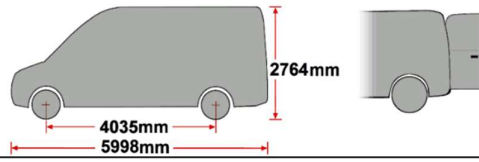
11.



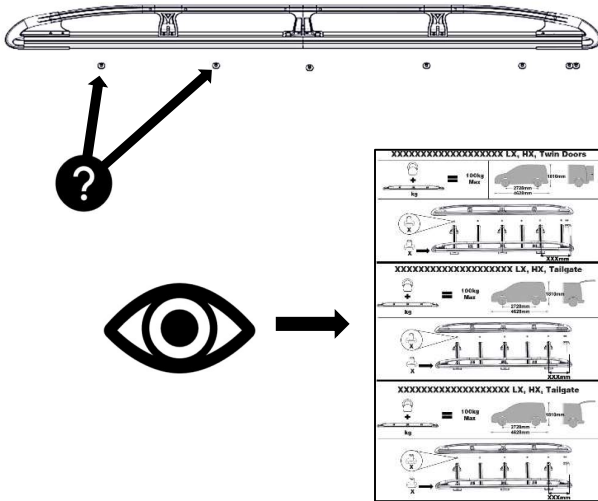
**K652- Jumper/Relay/Boxer/Ducato 2006-/Movano  
2020- L3, H3, Twin Doors**



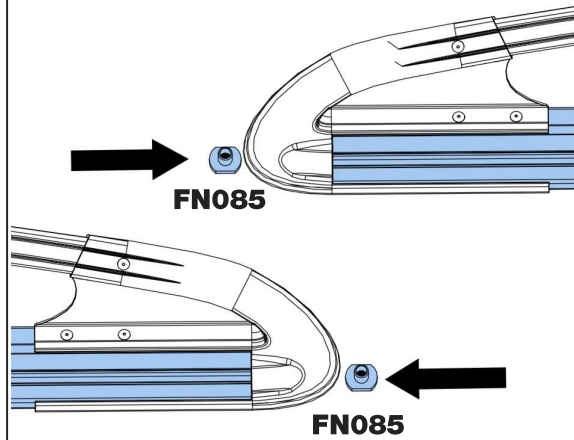
**150kg  
Max**



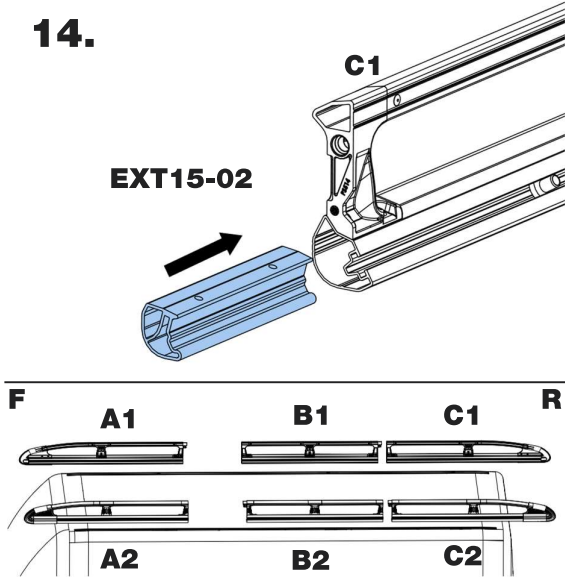
12.



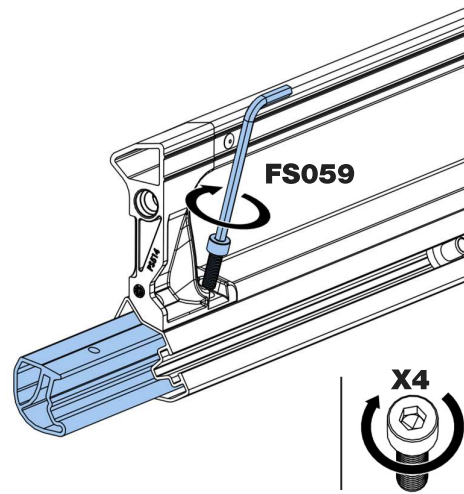
13.



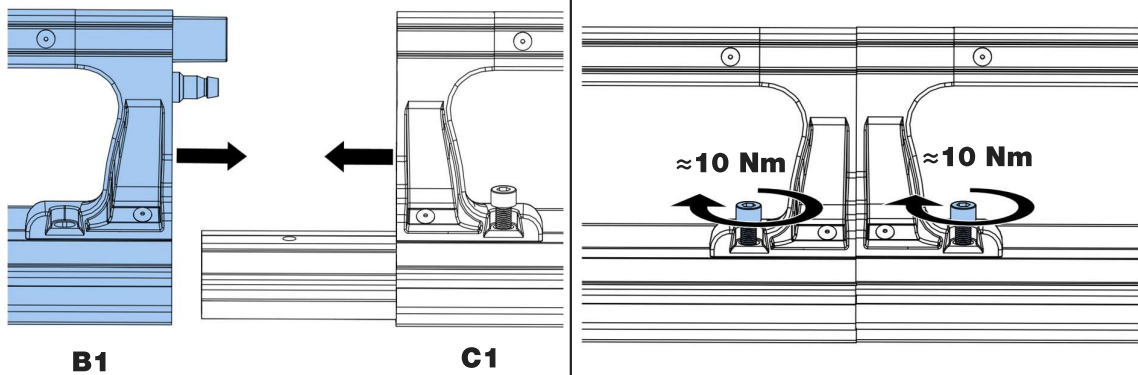
14.



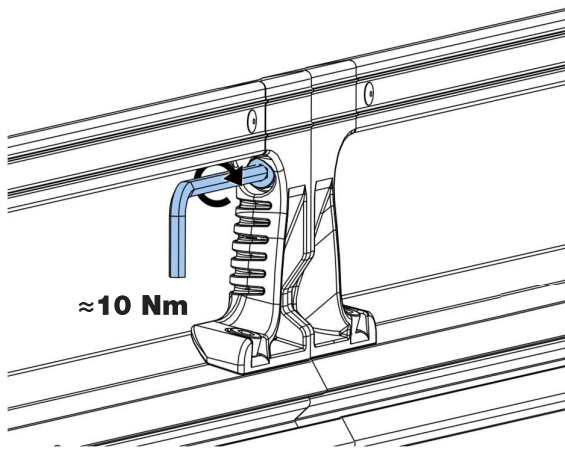
15.



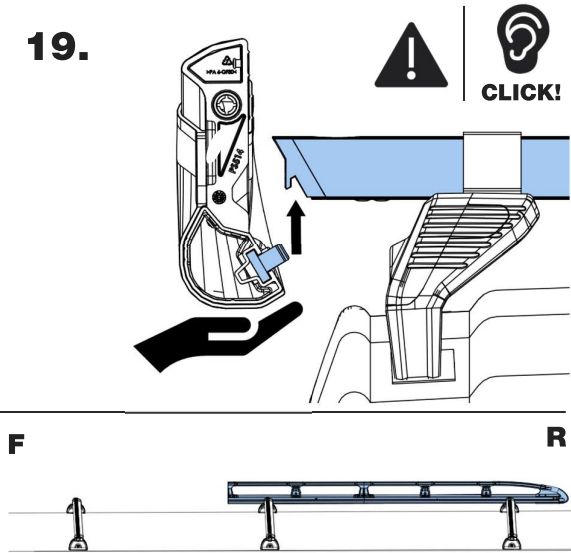
17.



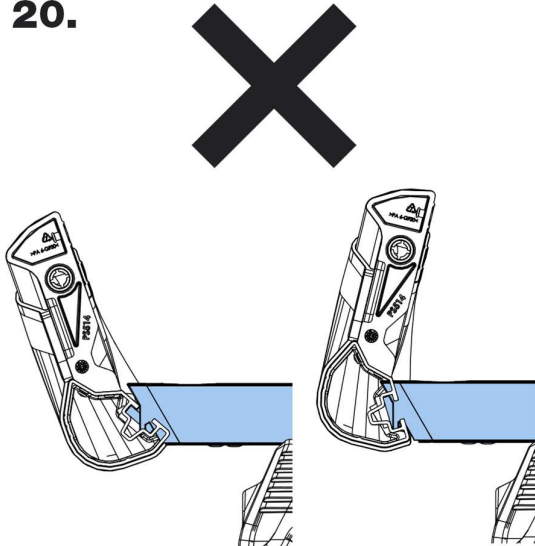
18.



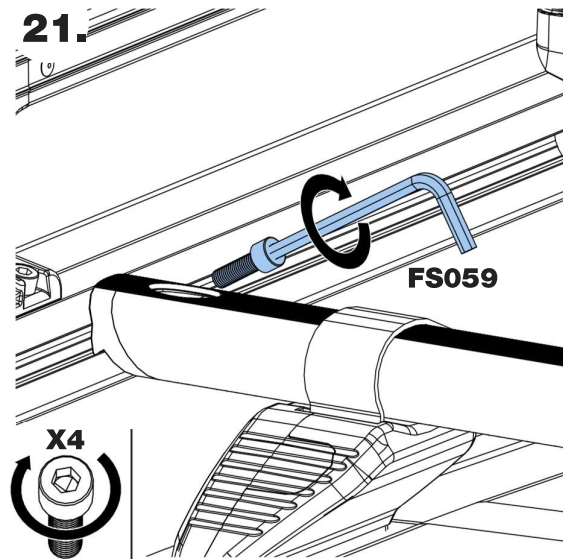
19.



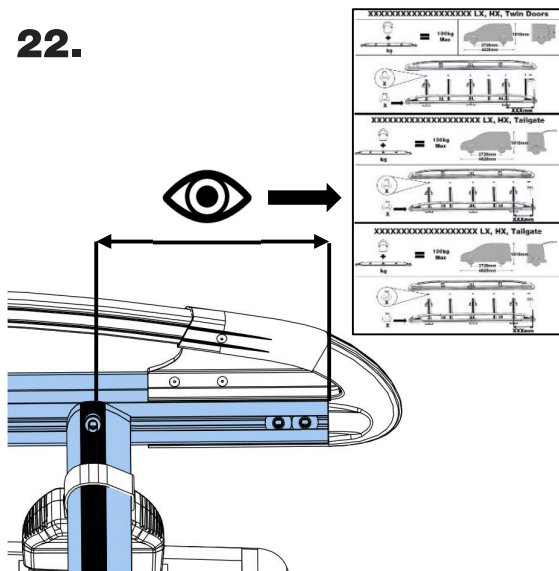
20.



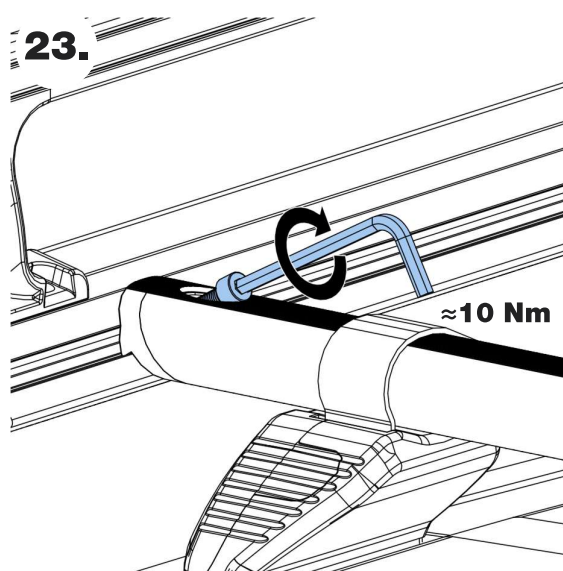
21.



22.

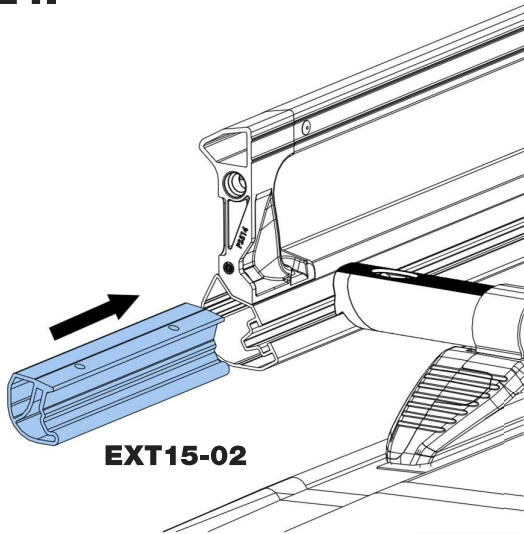


23.

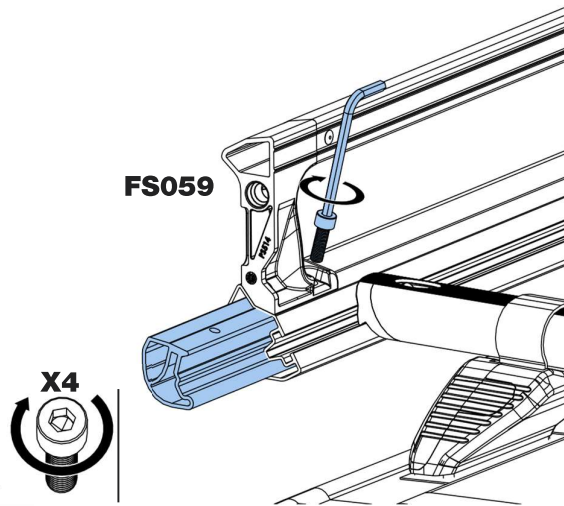




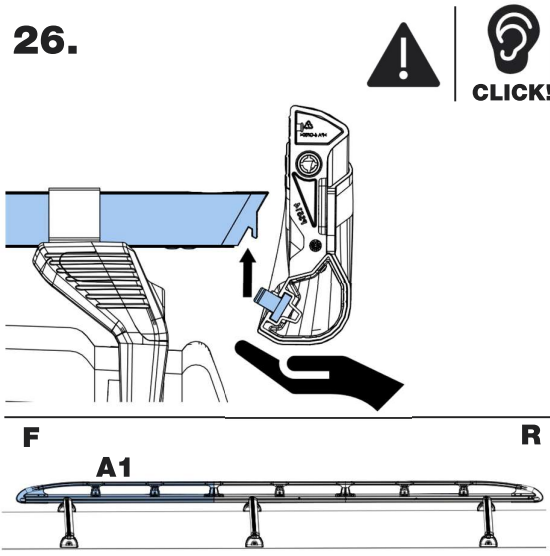
24.



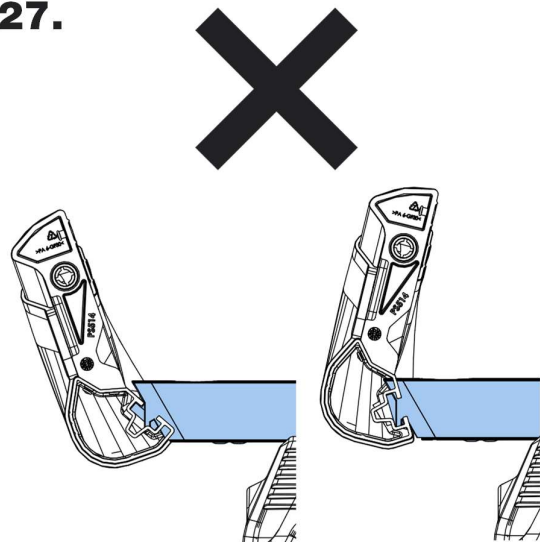
25.



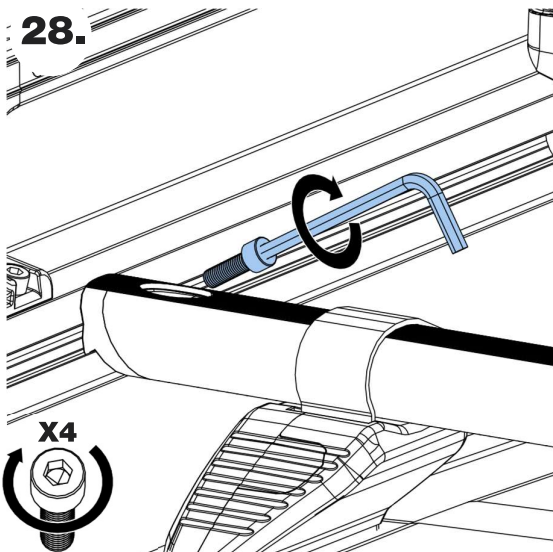
26.



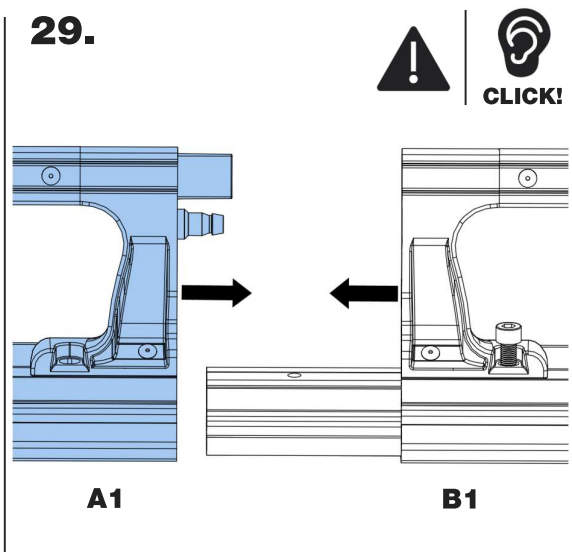
27.



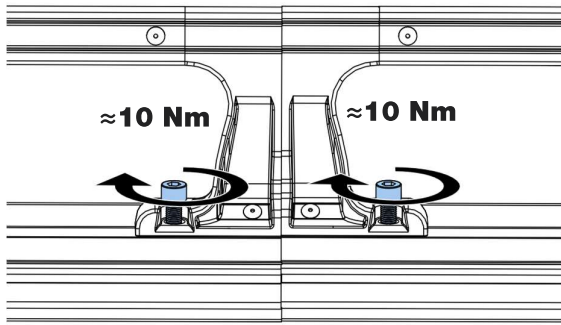
28.



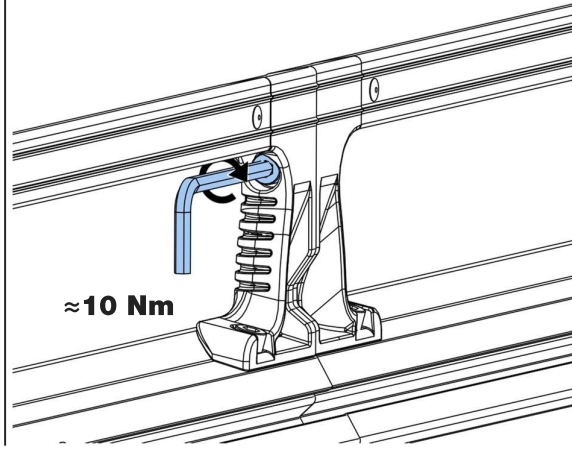
29.



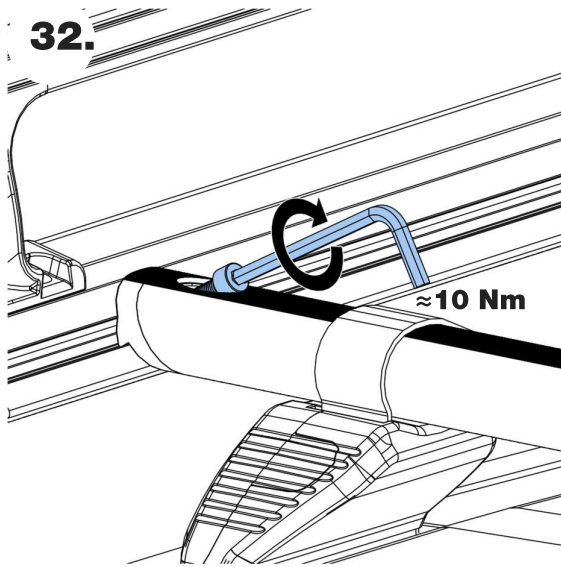
30.



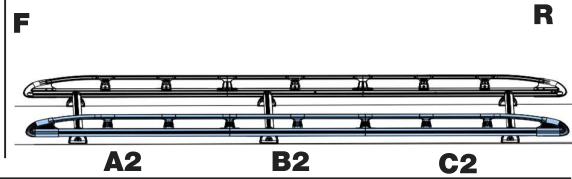
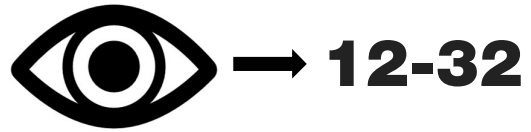
31.



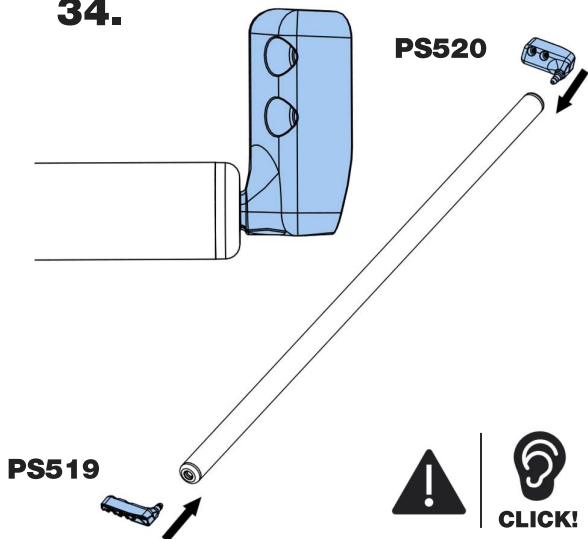
32.



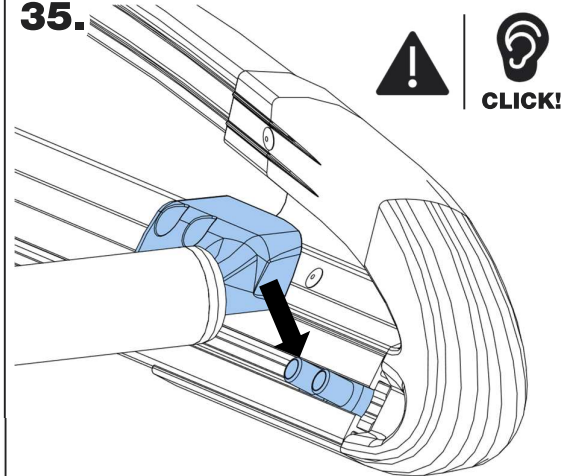
33.



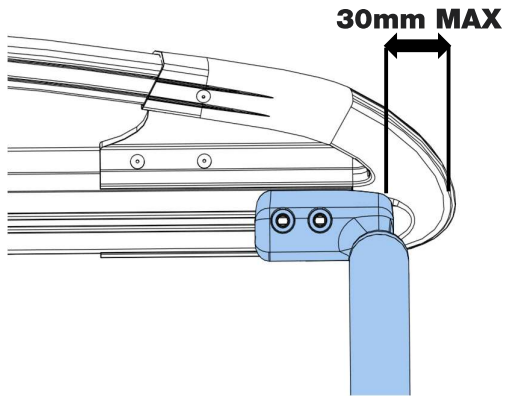
34.



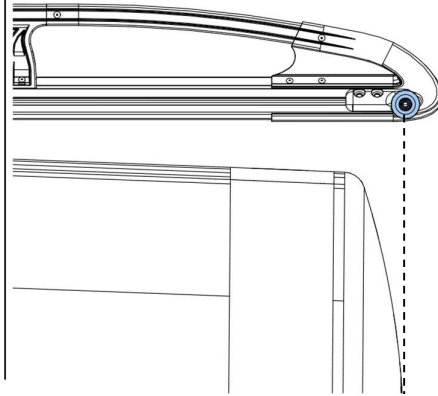
35.



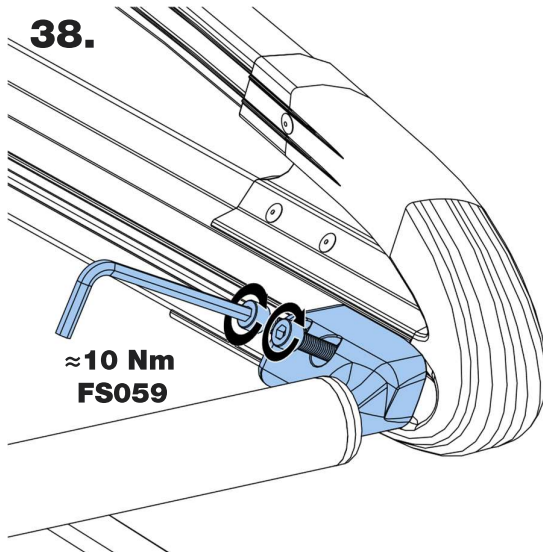
36.



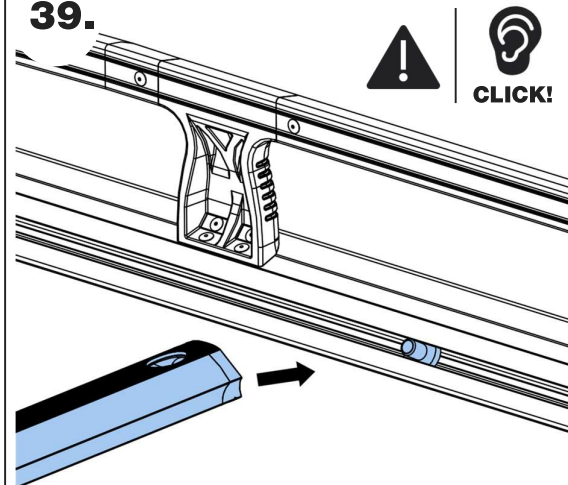
37.



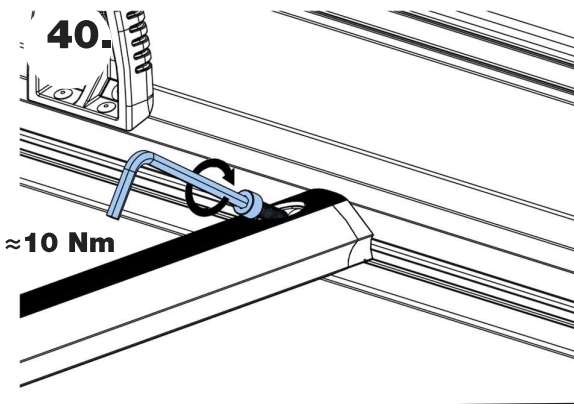
38.



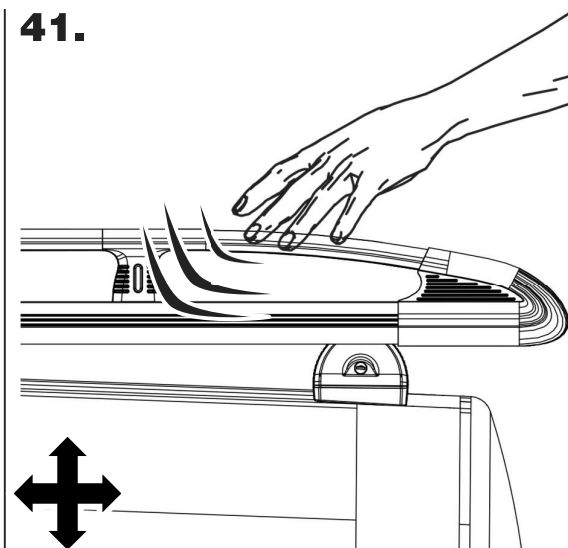
39.



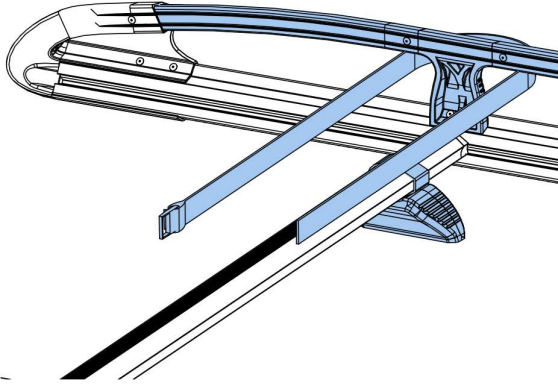
40.



41.



42.



43.

