

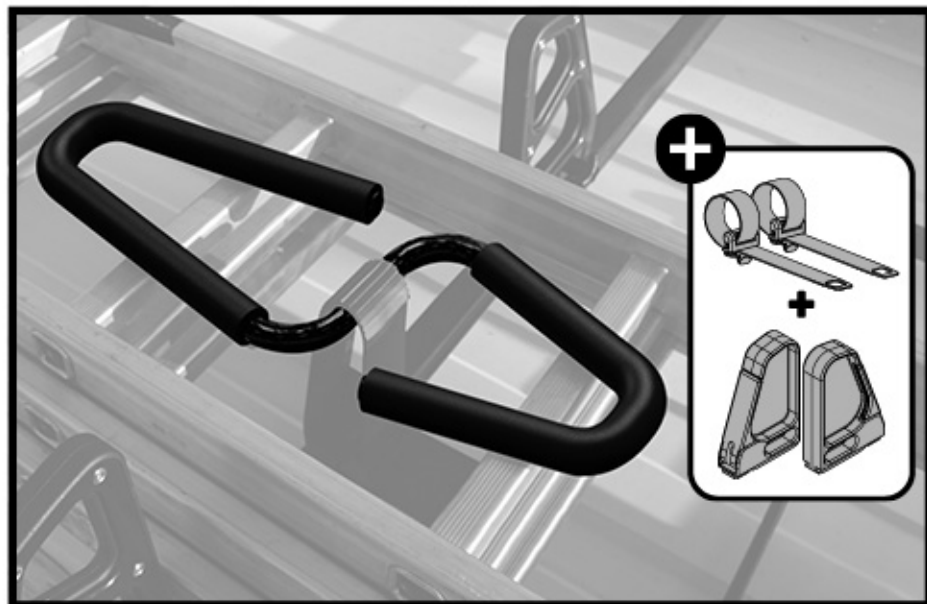
NORDRIVE[®]
TRANSPORT SOLUTIONS

ART. N11067 **U-6**

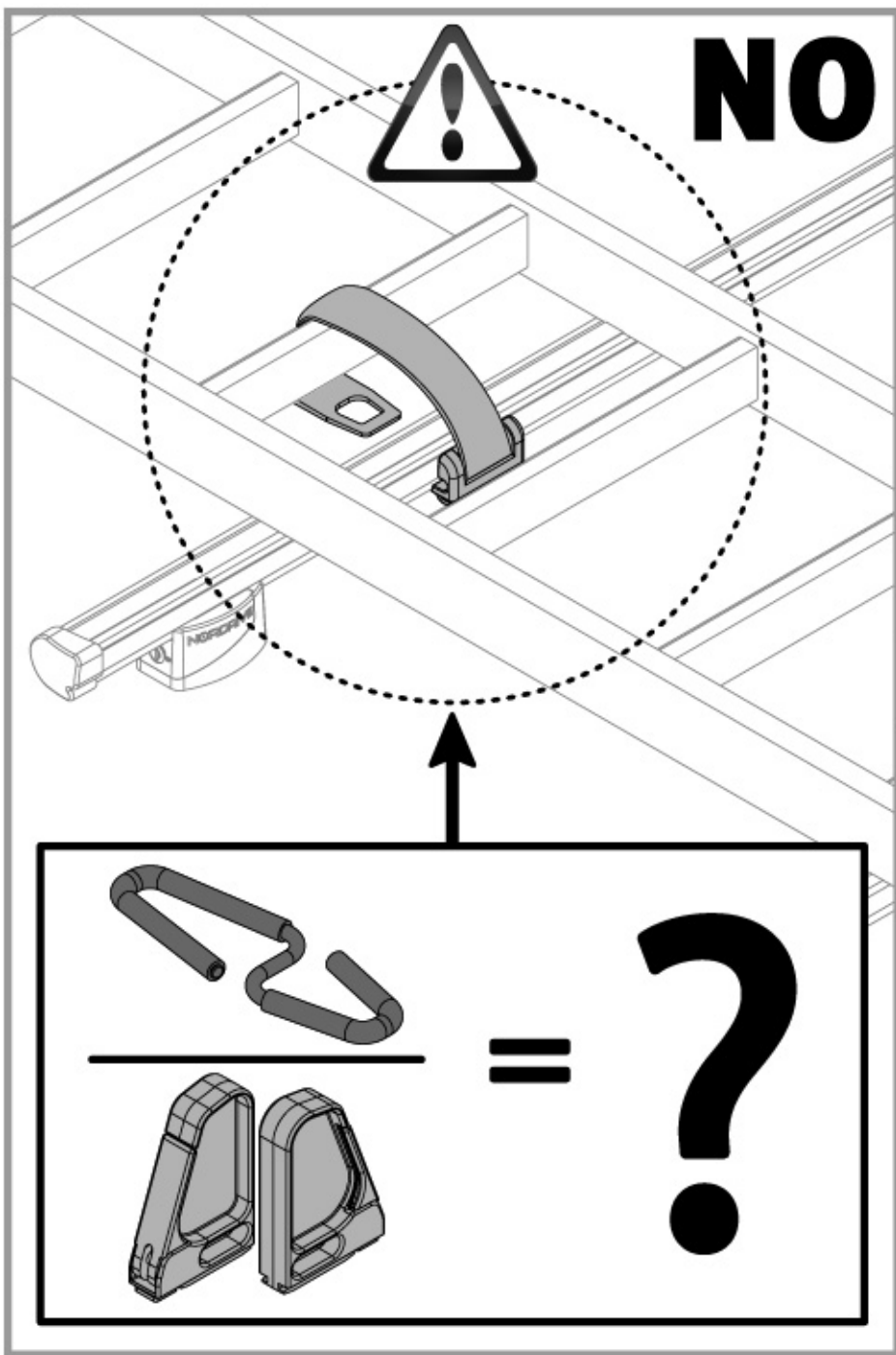
UNIVERSALE - UNIVERSAL



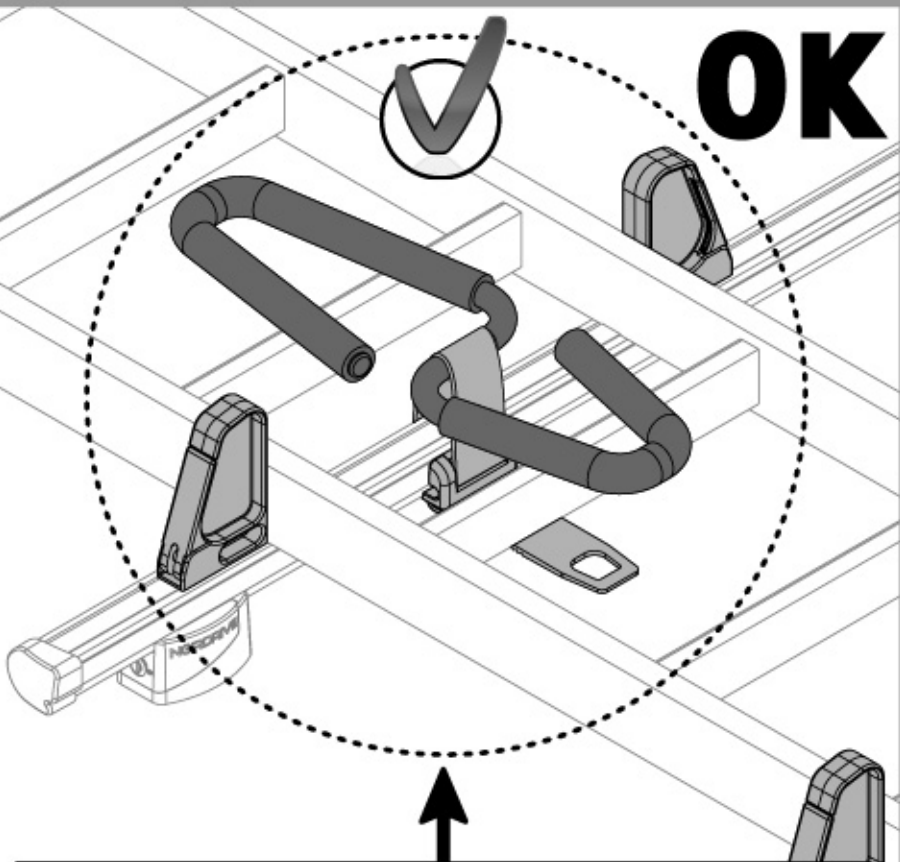
Kg. **0,8**



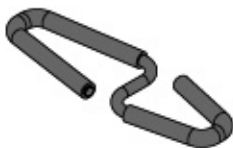
NO



OK



+



+



**LADDER
STOPPER
BELTS**

N11065 U-5

LOAD STOPS

N11001 K-1

N11002 K-2

N11031 KP-1

N11032 KP-2

NORDRIVE®

TRANSPORT SOLUTIONS

is a registered trade mark of
LAMPA S.p.A.
46019 Viadana (MN) ITALY
Ditta certificata UNI EN ISO 9001:2008
www.nordrive.it
www.lampa.it