

Customer Fitting Instructions, Page 1 of 2



Moulded Load Stop (LS160) x 2



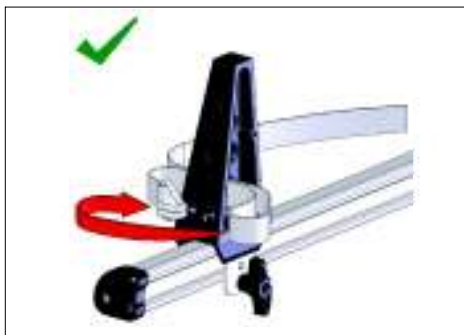
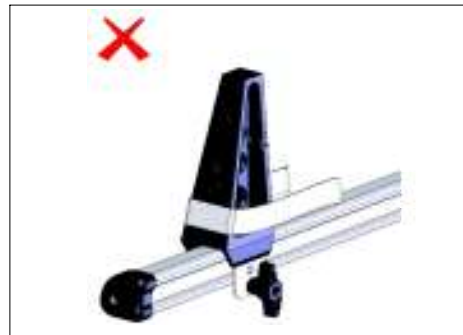
M6 x 60 Coach Bolt (FS008) x 2



M6 Hand Knob (PS042) x 2



Fillet Pad (PS044) x 2



DRAWING NO:
RALS (2of3)

ISSUE:
c

DESCRIPTION:
Pair of Load Stops, Boxed

	SIGNATURE:	DATE:
DRAWN:	<i>B. Spindle</i>	11/07/08
CHECK'D:	<i>B. Gallagher</i>	11/07/08
APP'VD:	<i>B. Spindle</i>	11/07/08

