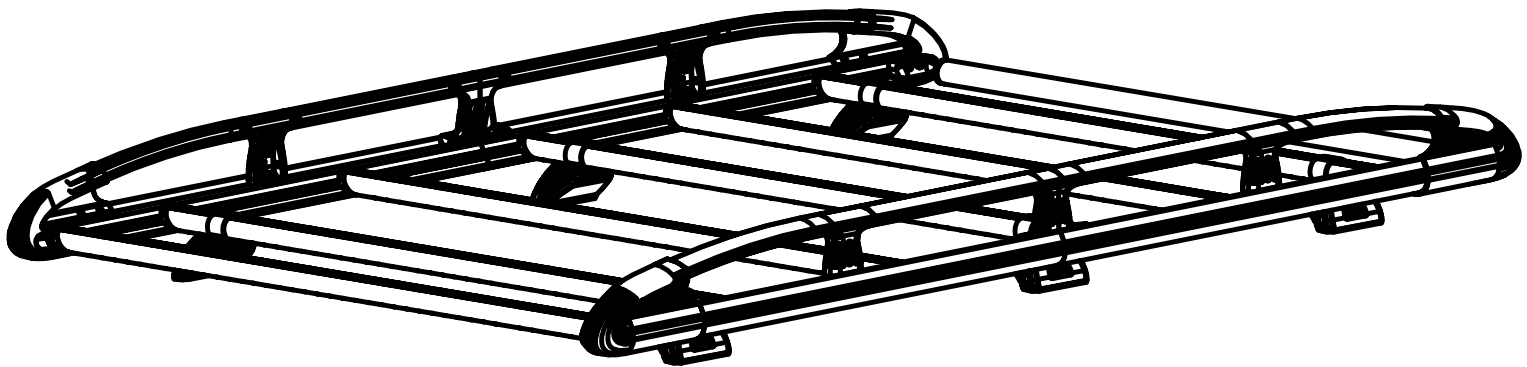


MC3KR

KammRack

Instructions

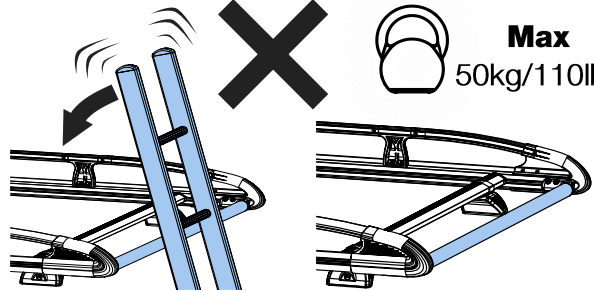
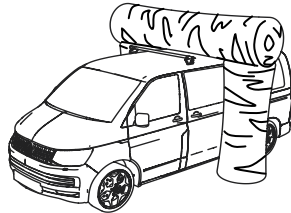
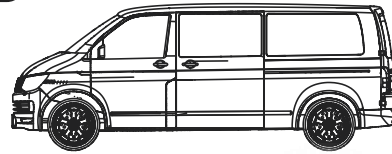


CITY CRASH (✓)

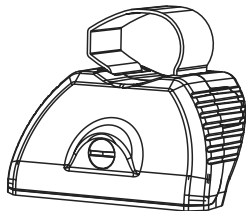
According to ISO/ PAS 11154:2006

MC3KR:

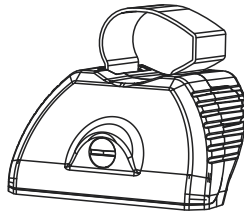
MERCEDES Sprinter 2006-
VW Crafter 2006-2017-
VW Crafter 2017-



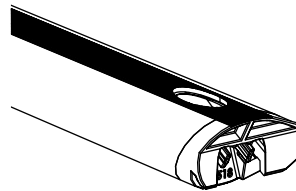
KammRack



SA397U x 3



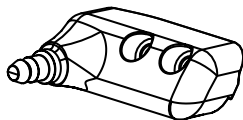
SA398U x 3



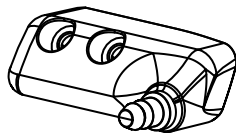
**SA430/
SA468**



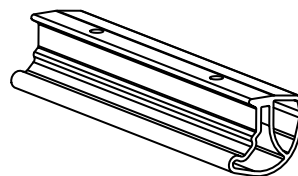
C04 x 6
optional upgrade



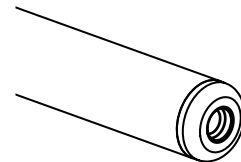
PS519 x 1



PS520 x 1

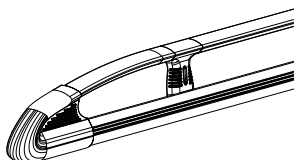


EXT15-02

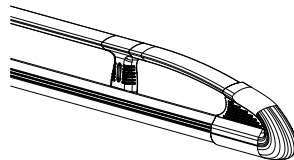


SA438 x 1

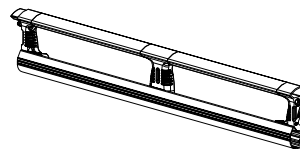
LHS x 2



RHS x 2

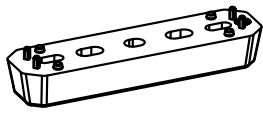


**Centre x 2
(L1, H1 Only)**

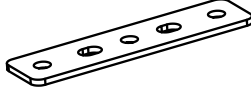


ASF x 1

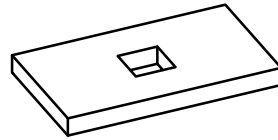
Fitting Kit



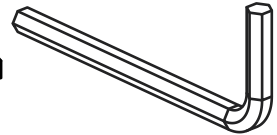
PS183 x 6



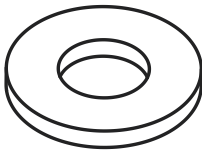
PS023 x 6



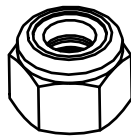
MS209 x 12



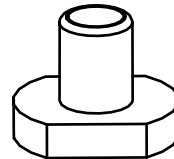
FT01 x 1



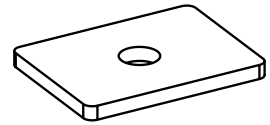
FW002 (M8) x 12



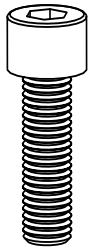
FN006 (M8) x 12



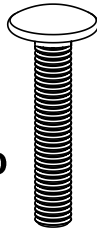
FN085 x 20



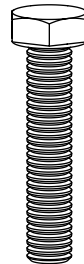
PS020 x 6



FS059
(M8 x 25) x 20



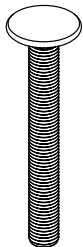
FS134
(M8 x 45)
x 12



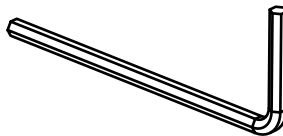
FS081
(M8 x 50) x 6



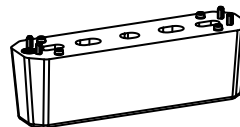
FS107
(M8 x 75)
x 6



FS293
(M8 x 65)
x 12

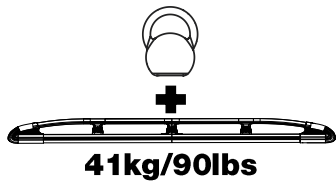


FT05 x 1

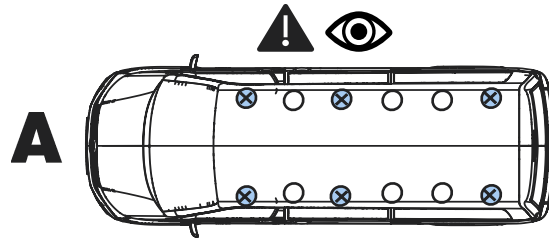
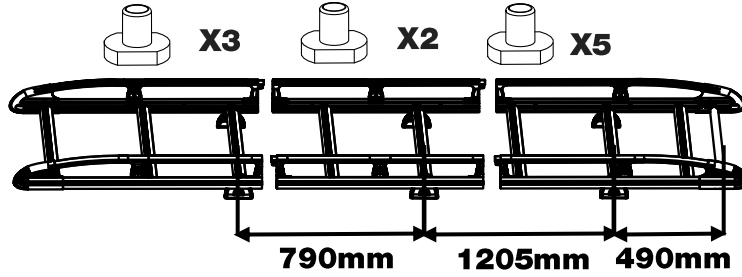
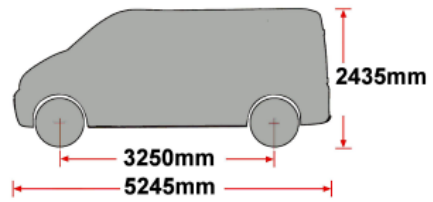


PS325 x 6

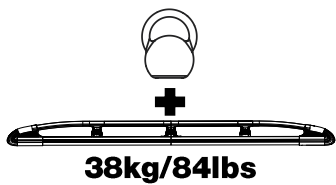
K517/B517- Sprinter/Crafter 2006- L1, H1, Twin Doors



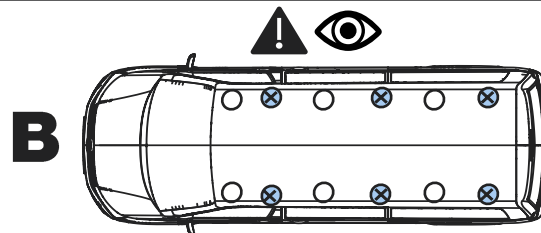
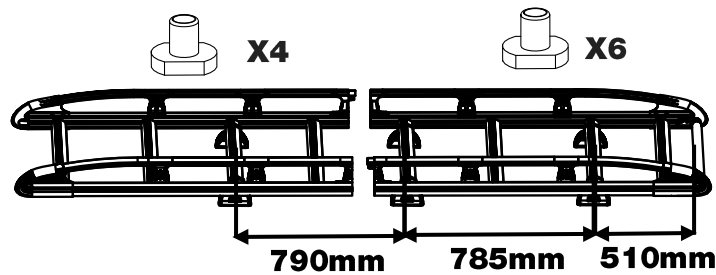
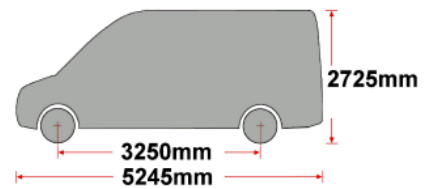
150kg Max



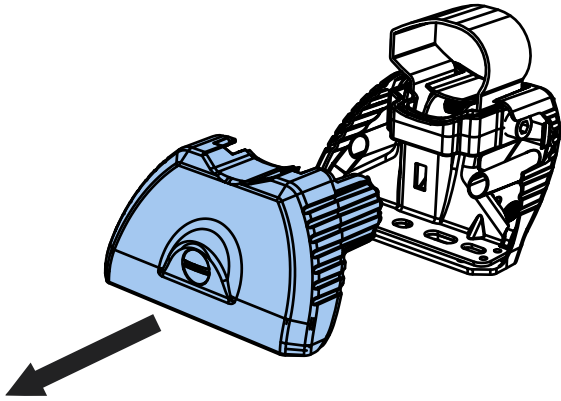
K518/B518- Sprinter/Crafter 2006- L1, H2, Twin Doors



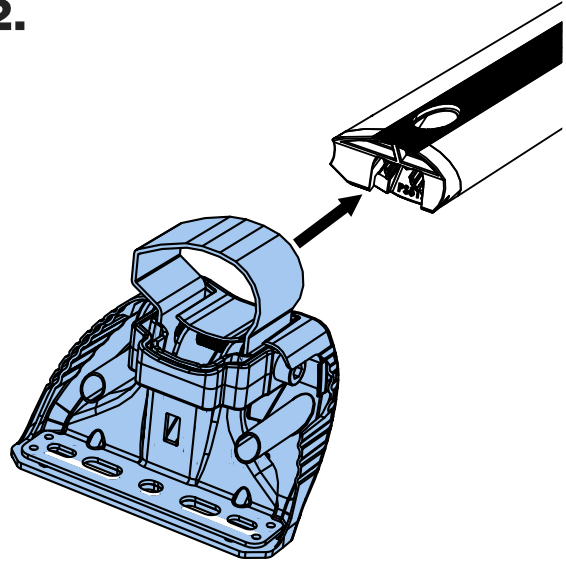
150kg Max



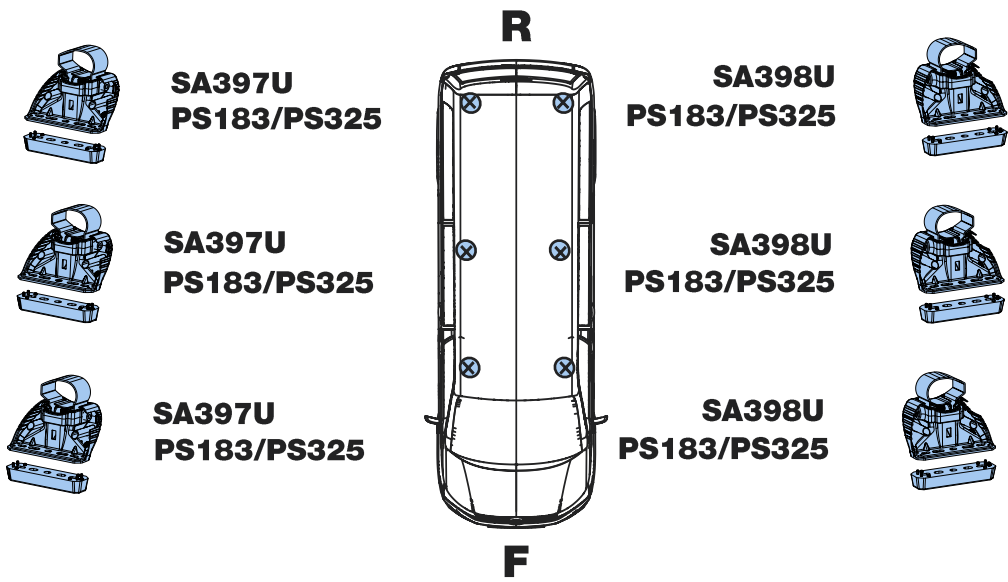
1.



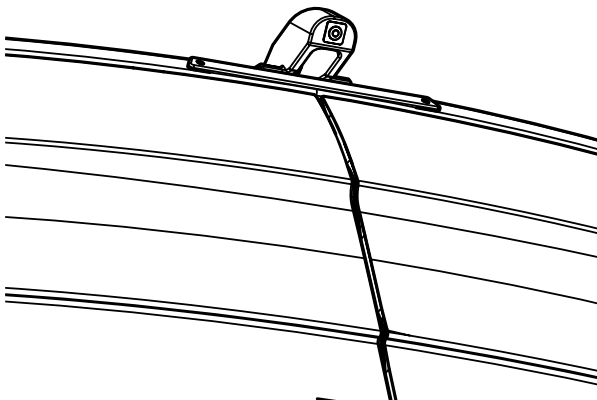
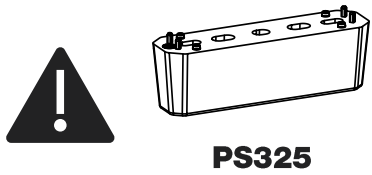
2.



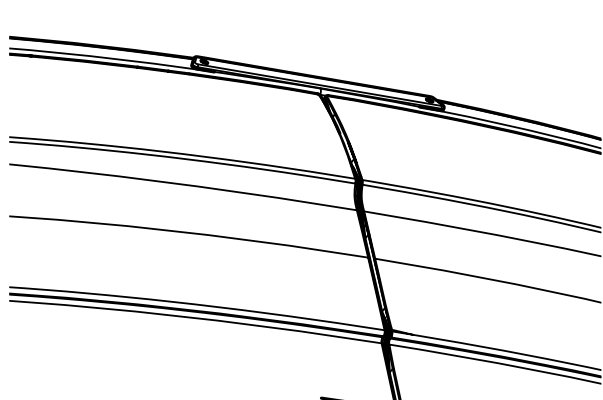
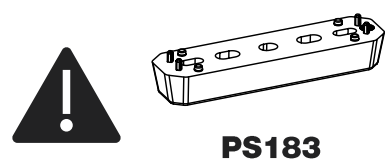
3.

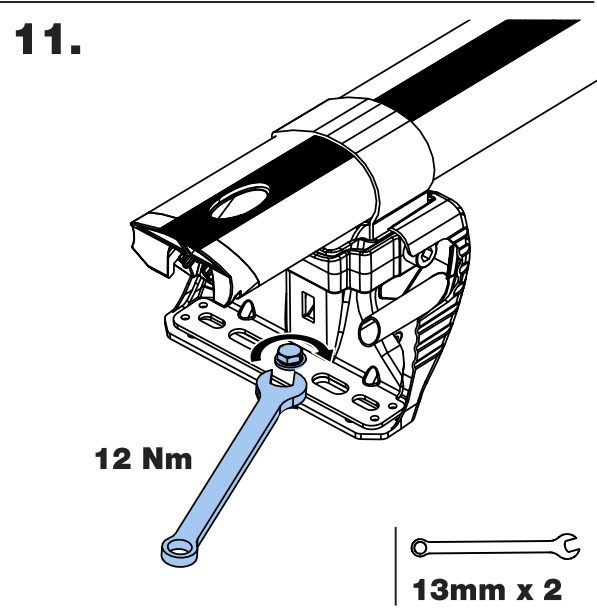
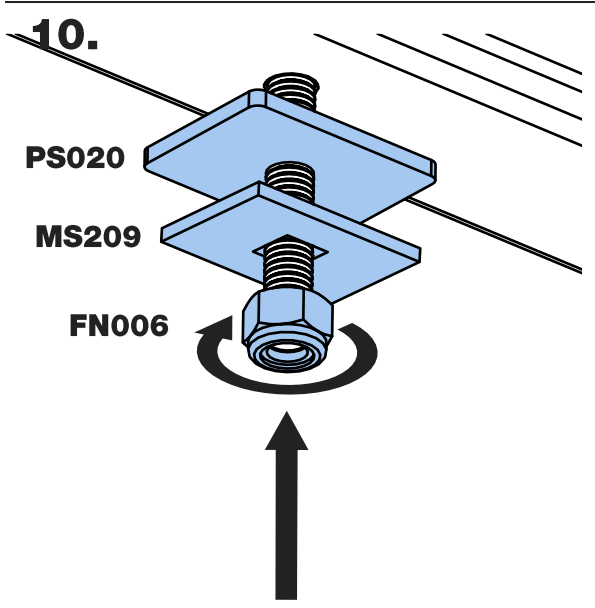
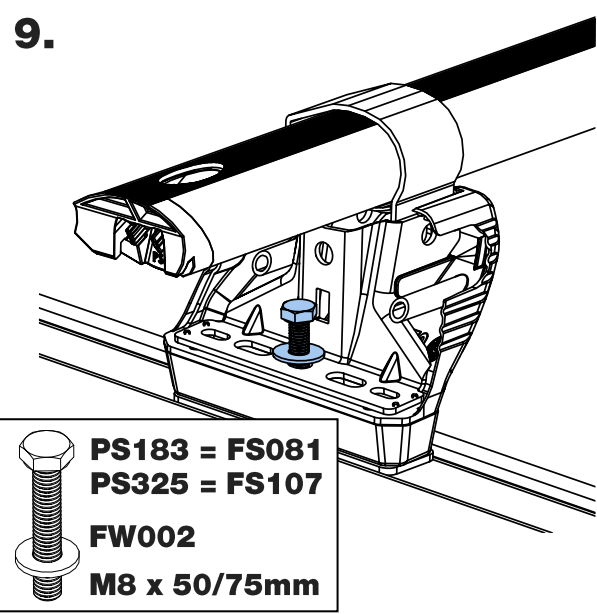
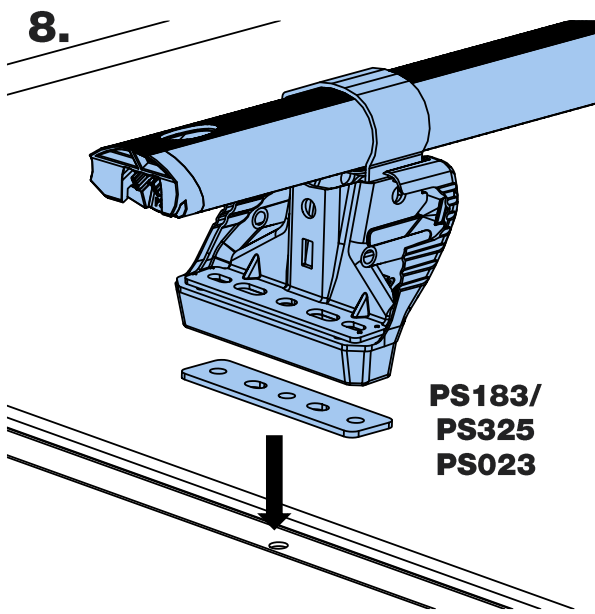
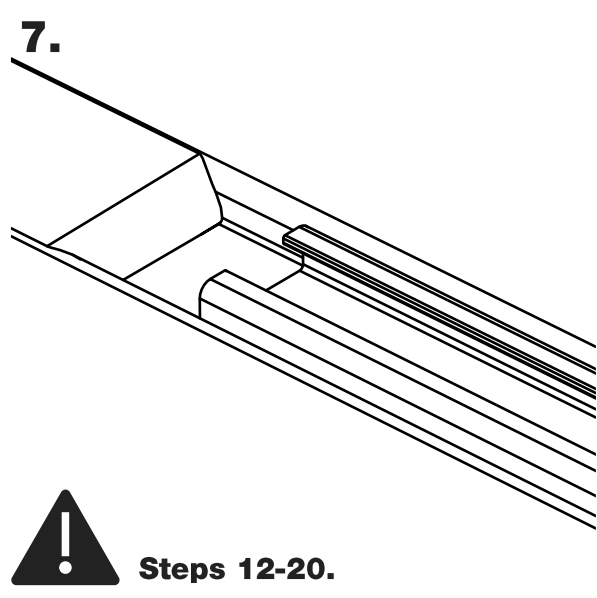
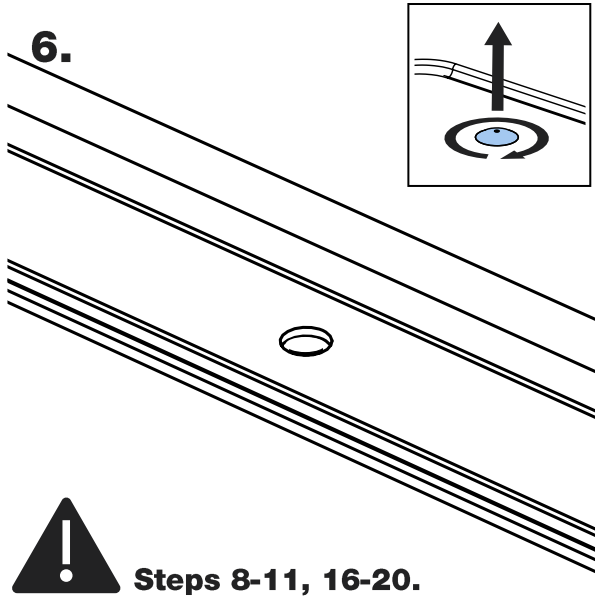


4.

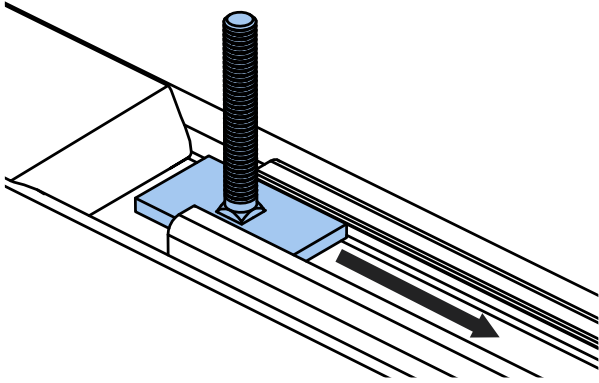
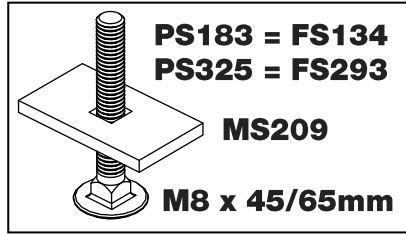


5.

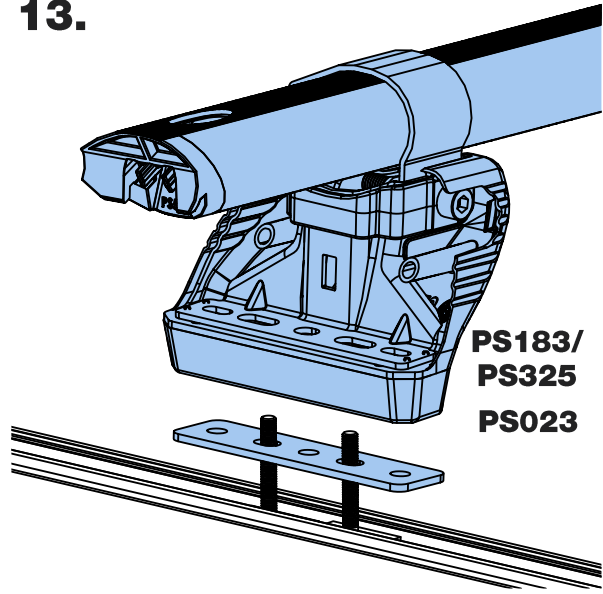




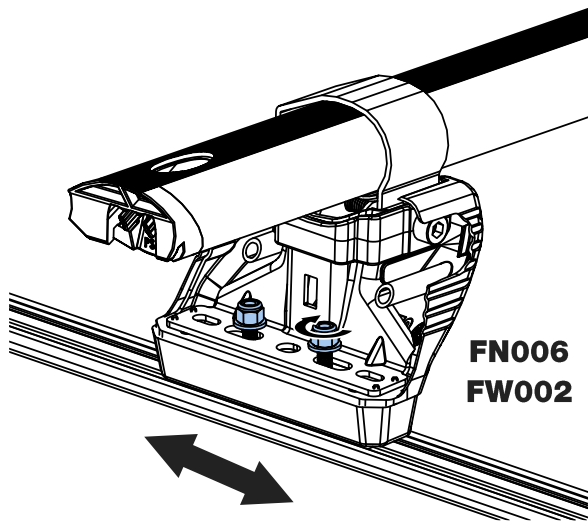
12.



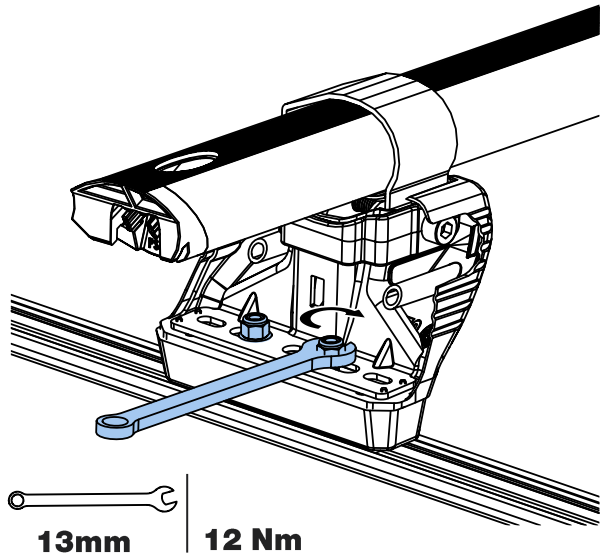
13.



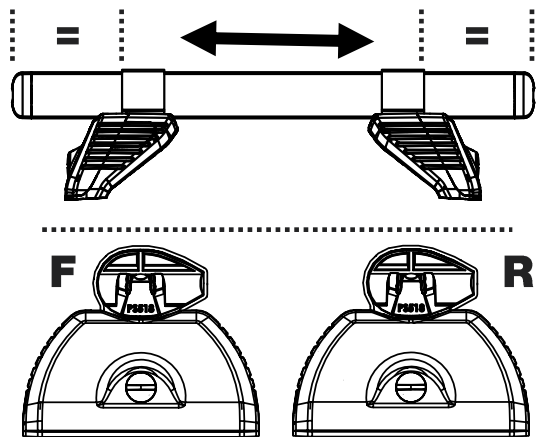
14.



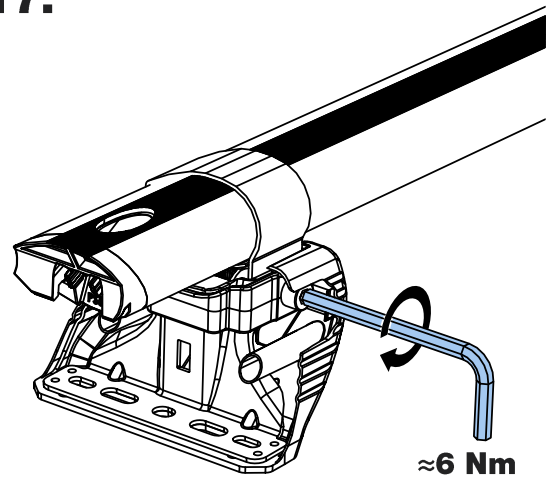
15.



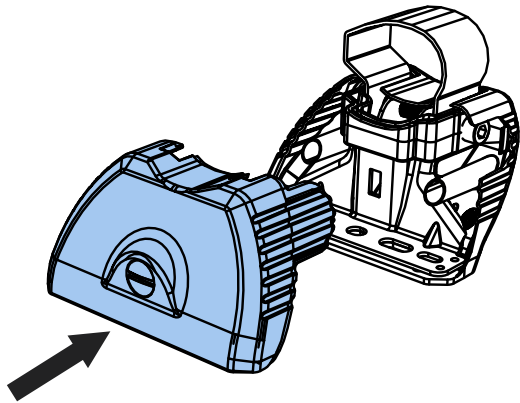
16.



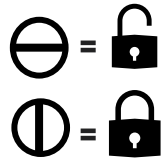
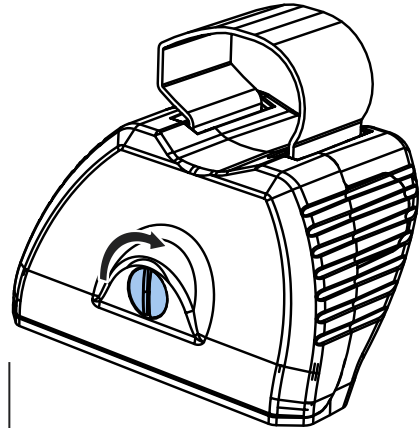
17.



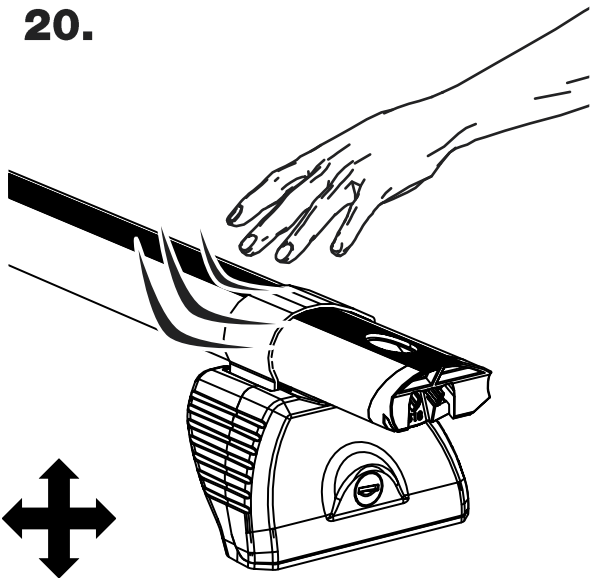
18.



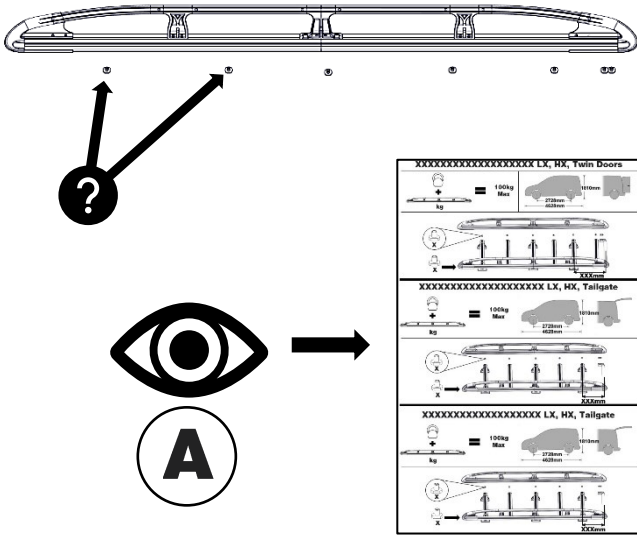
19.



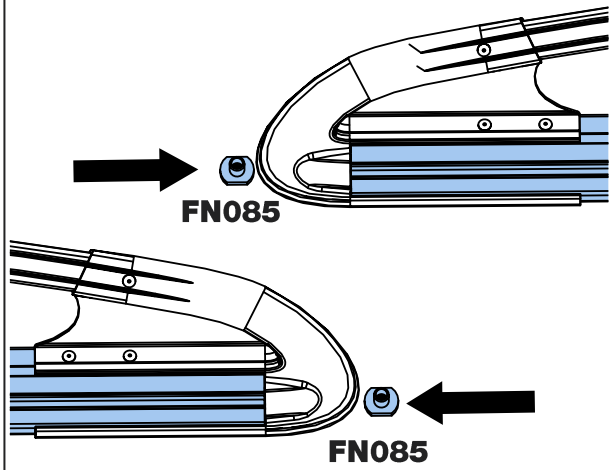
20.



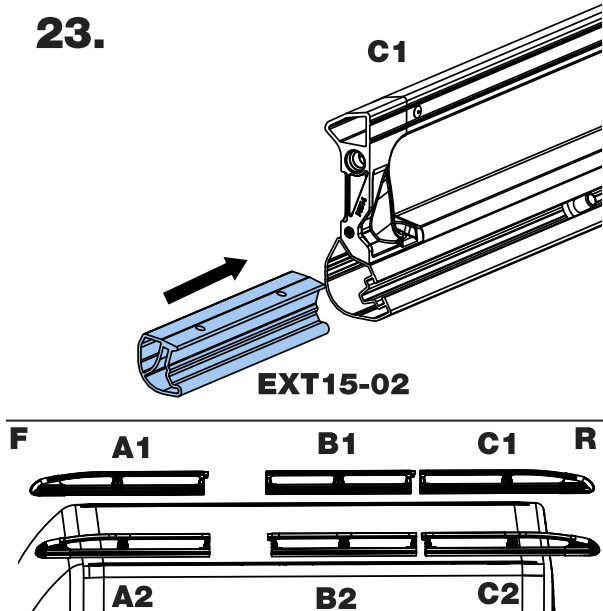
21.



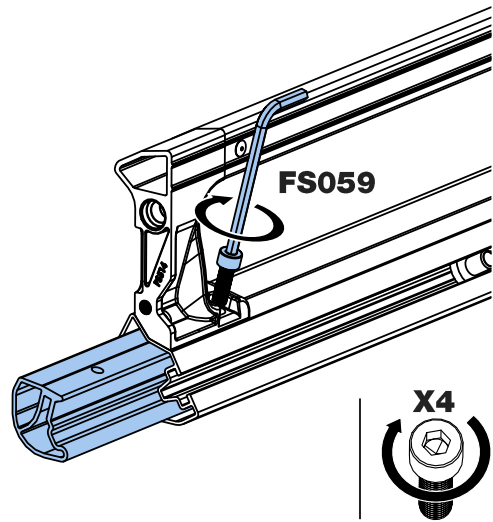
22.



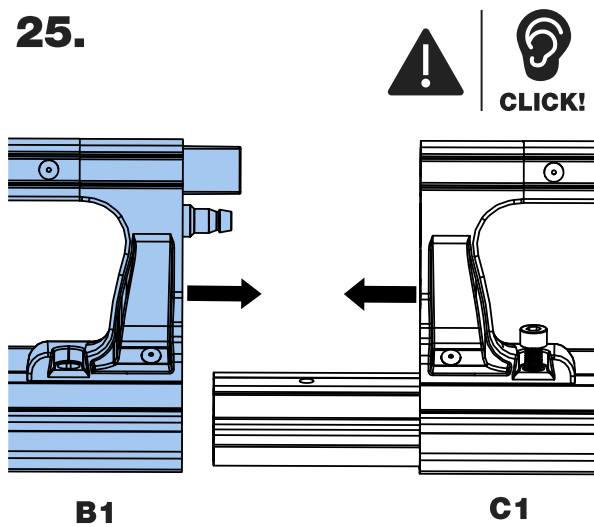
23.



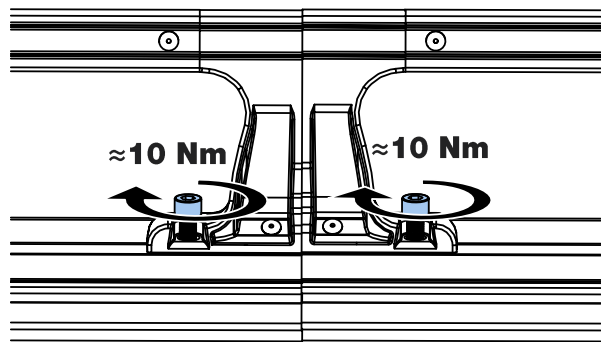
24.



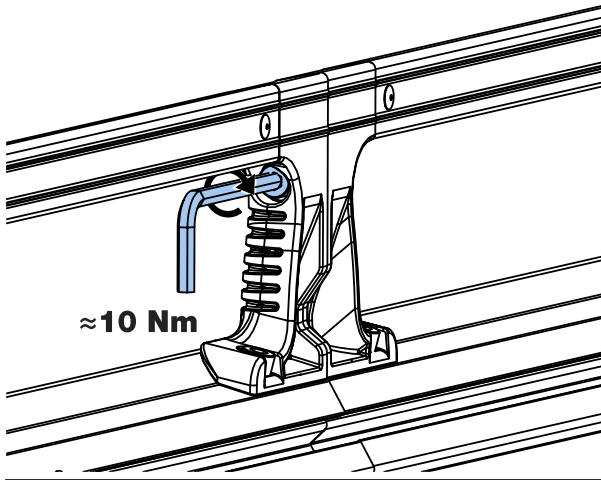
25.



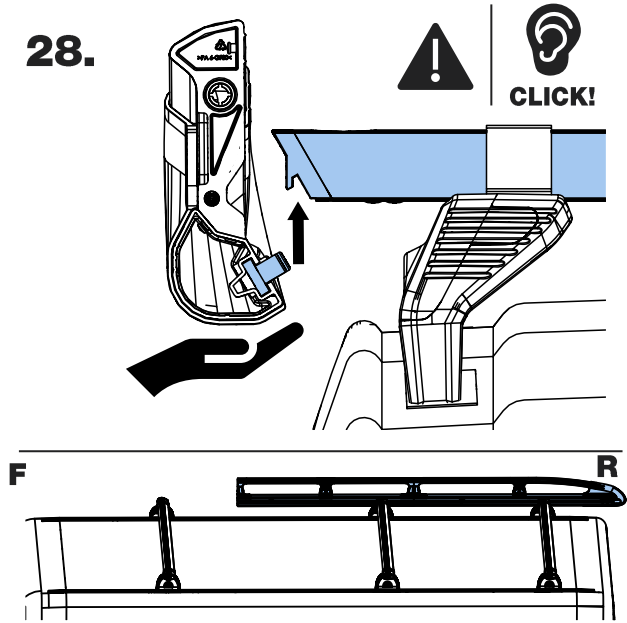
26.



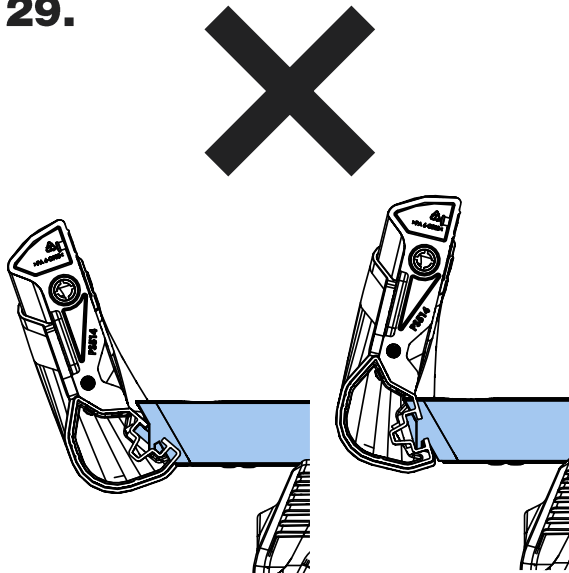
27.



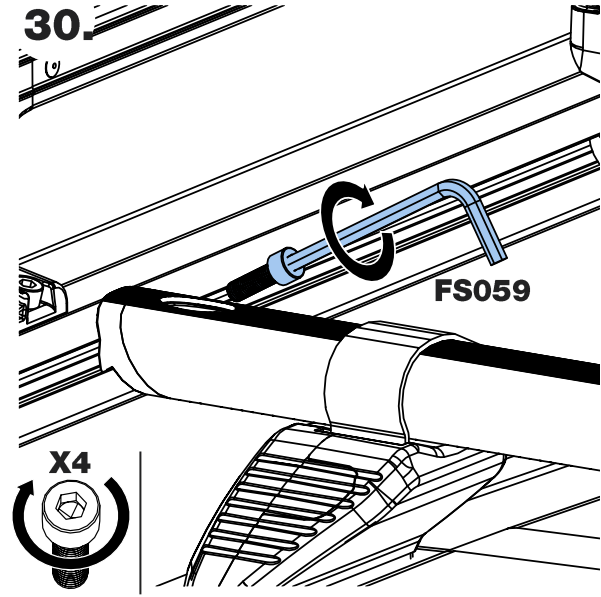
28.



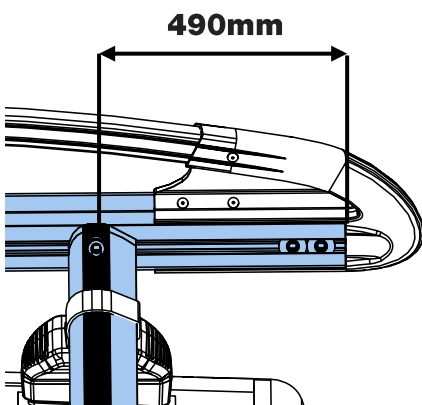
29.



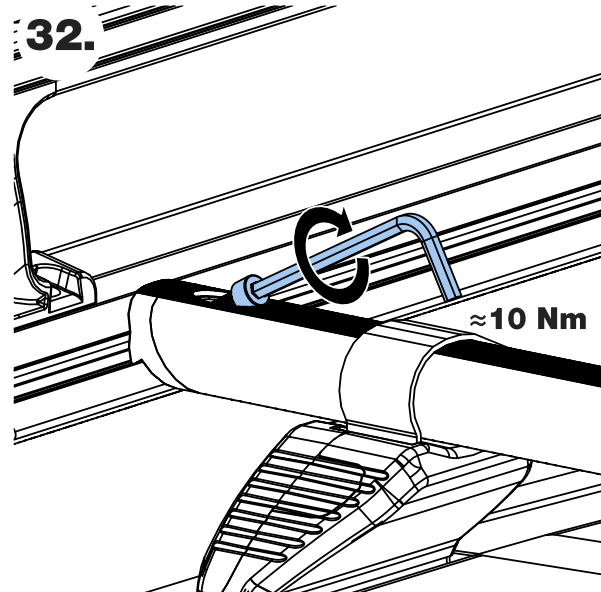
30.



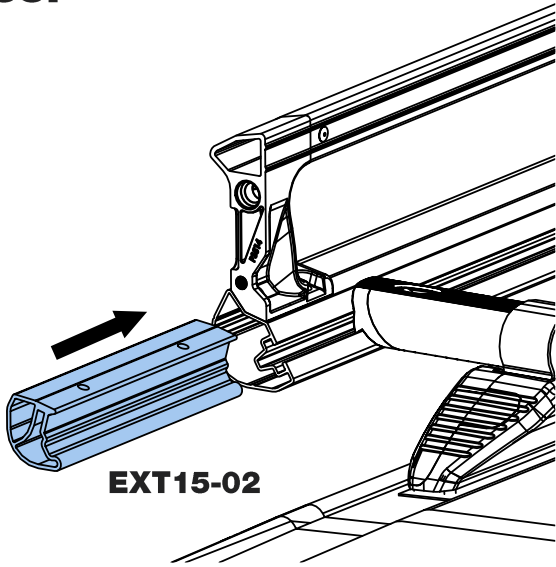
31.



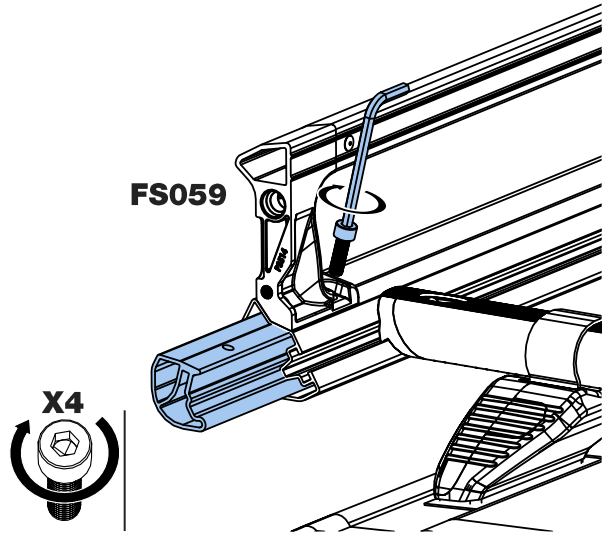
32.



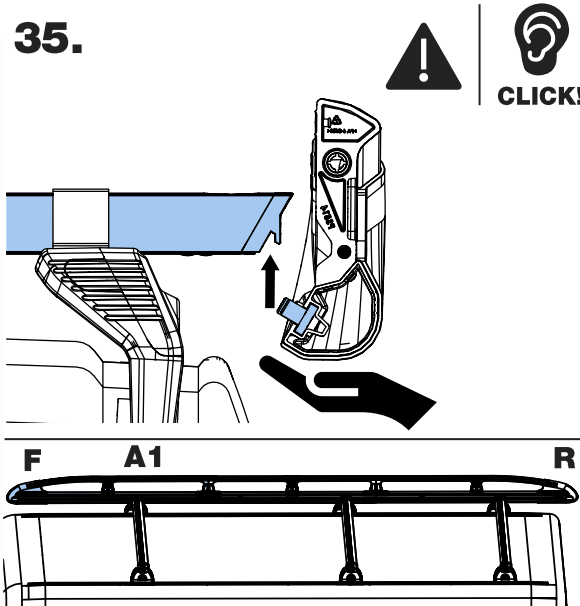
33.



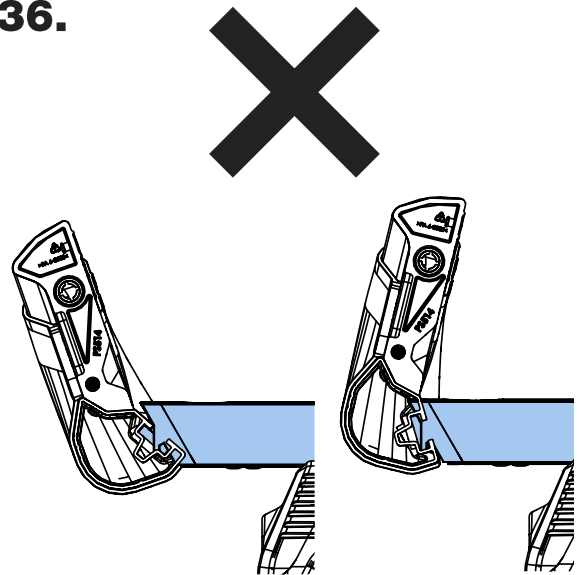
34.



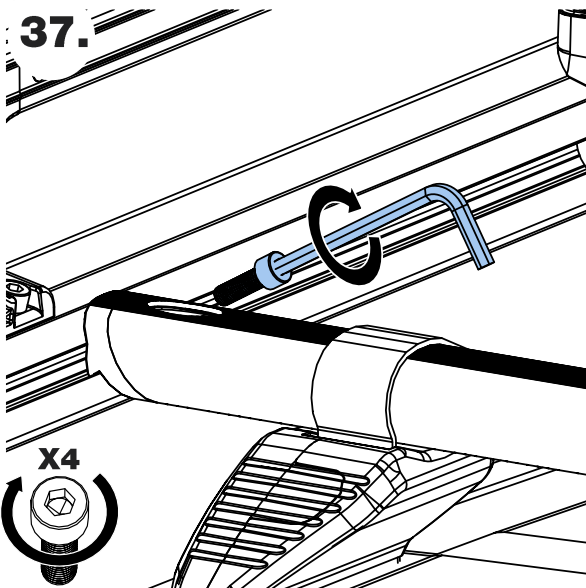
35.



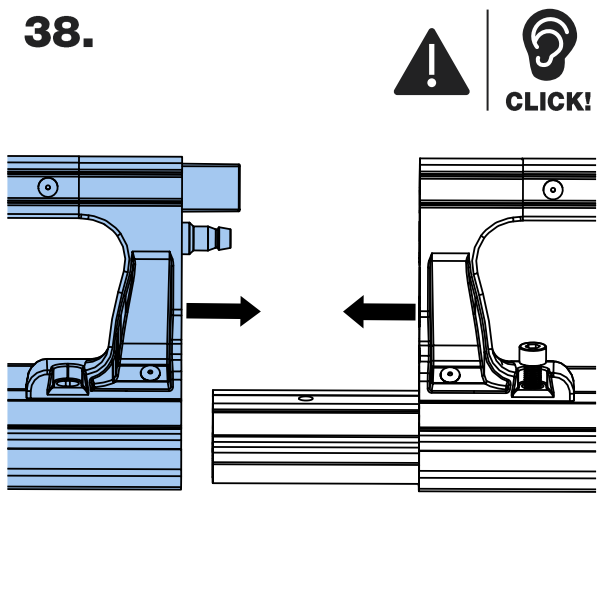
36.



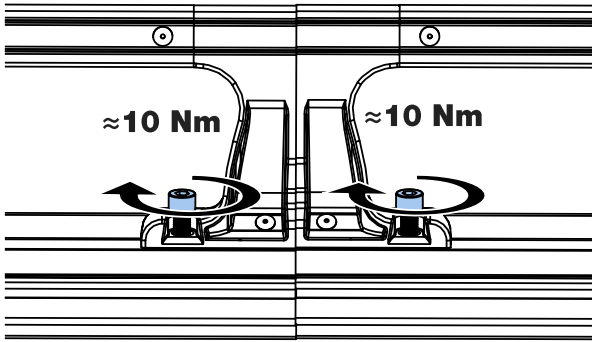
37.



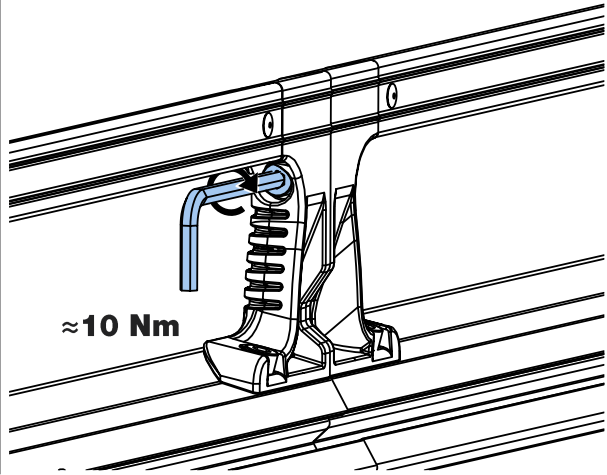
38.



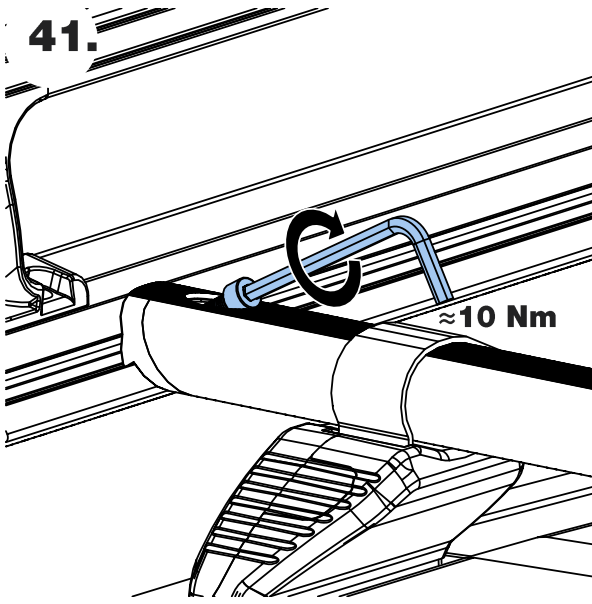
39.



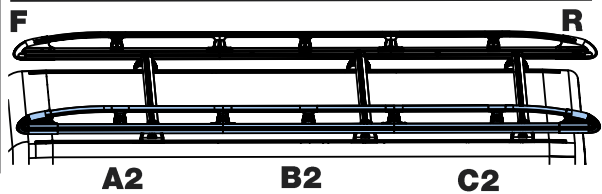
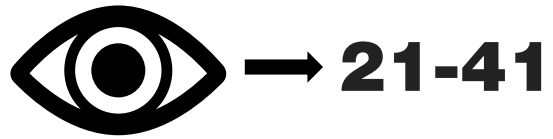
40.



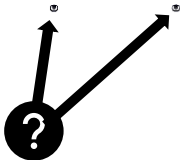
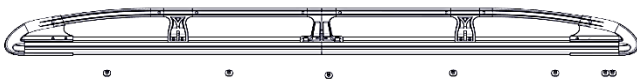
41.



42.



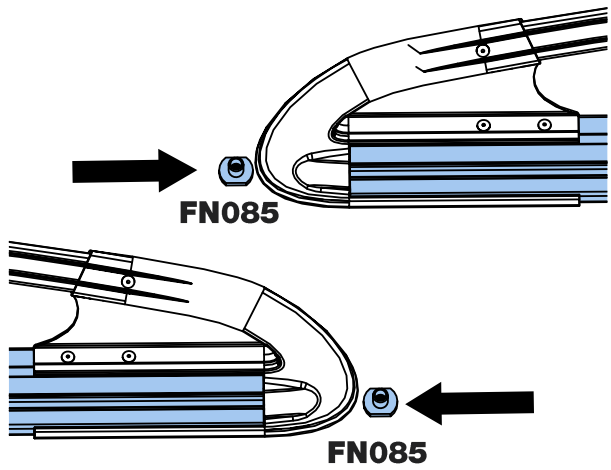
43.



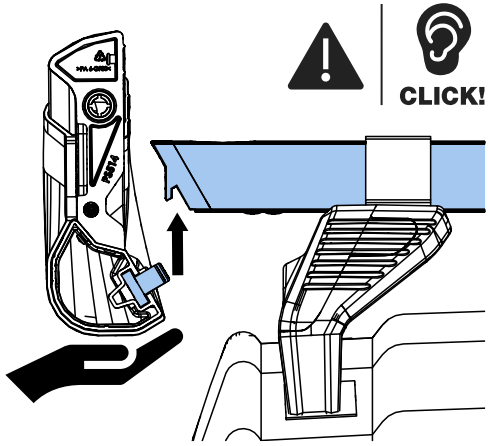
B

XXXXXXXXXXXXXXXXXXXXXXXXXXXX LX, HX, Twin Doors	
	100kg Max 272mm
XXXXXXXXXXXXXXXXXXXXXXXXXXXX LX, HX, Tailgate	
	100kg Max 272mm
XXXXXXXXXXXXXXXXXXXXXXXXXXXX LX, HX, Tailgate	
	100kg Max 272mm

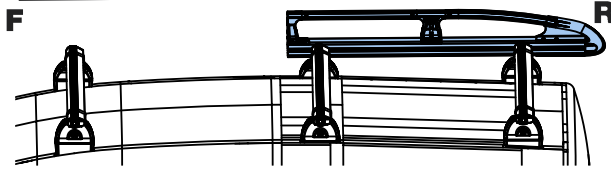
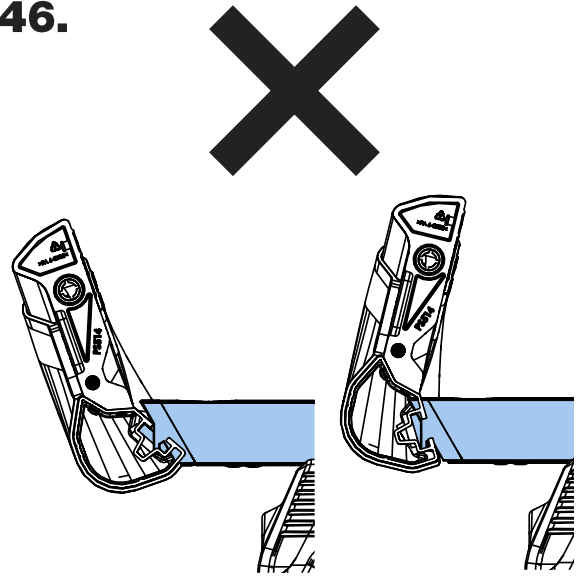
44.



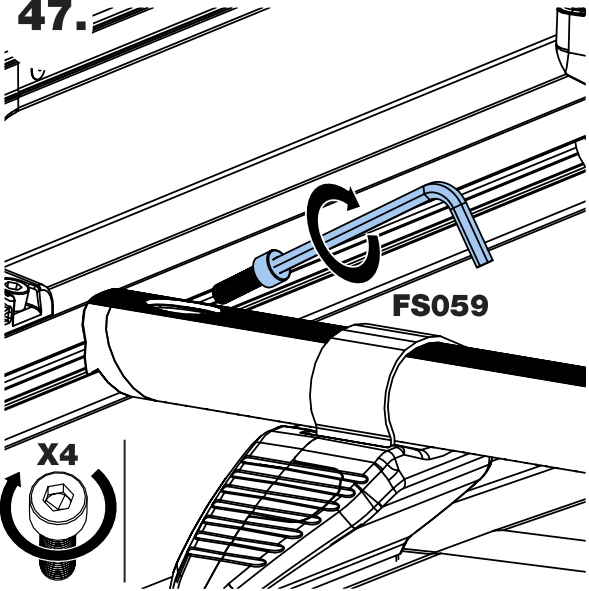
45.



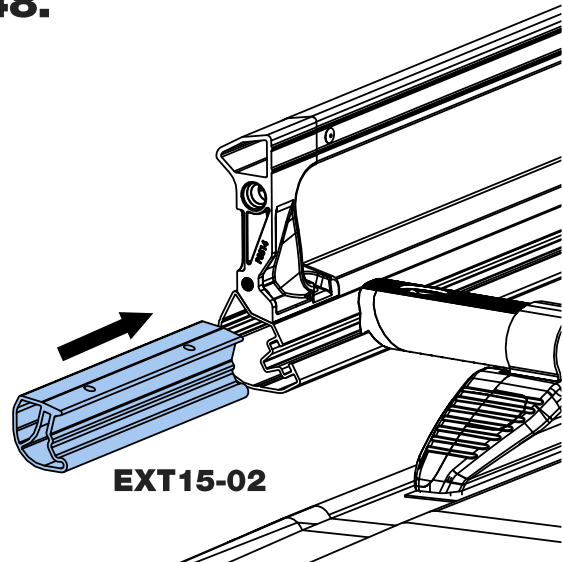
46.



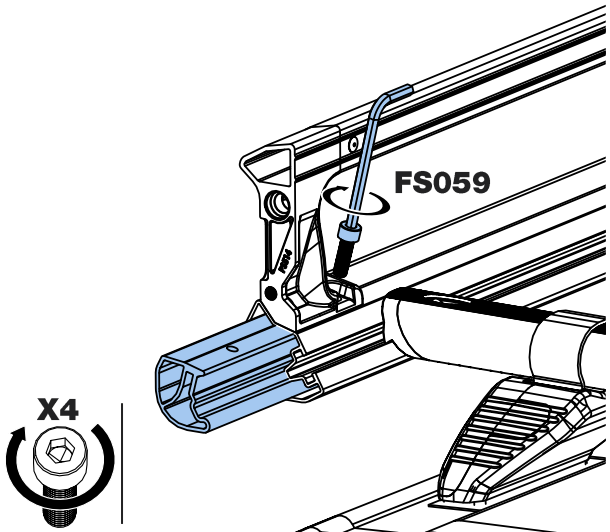
47.



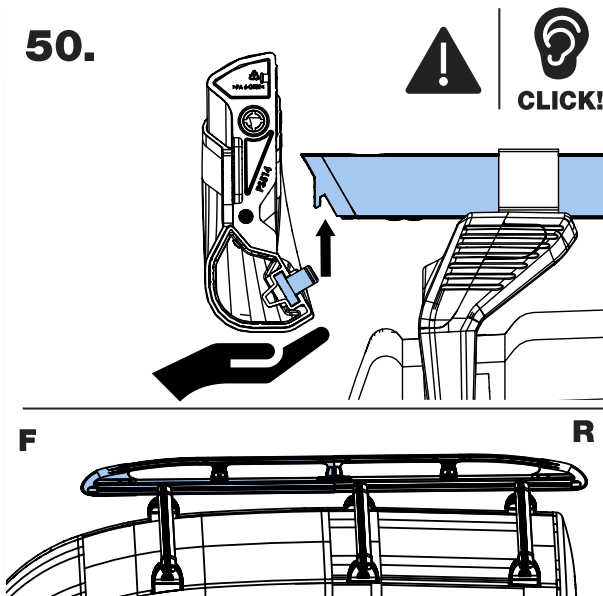
48.



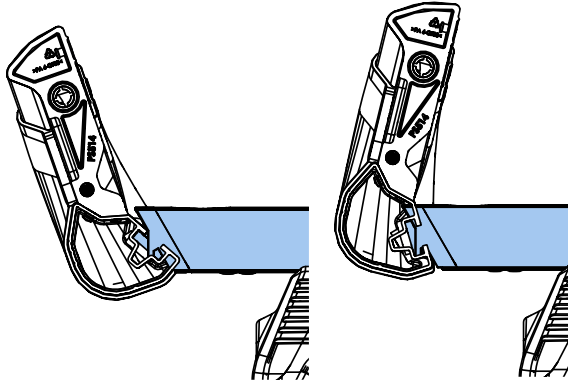
49



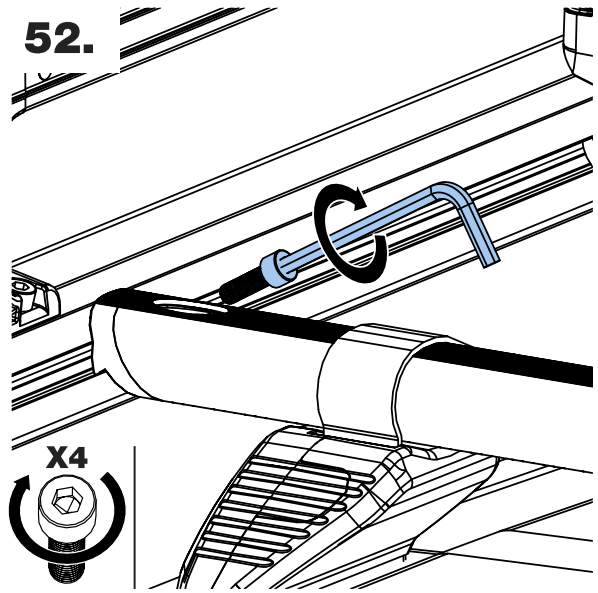
50.



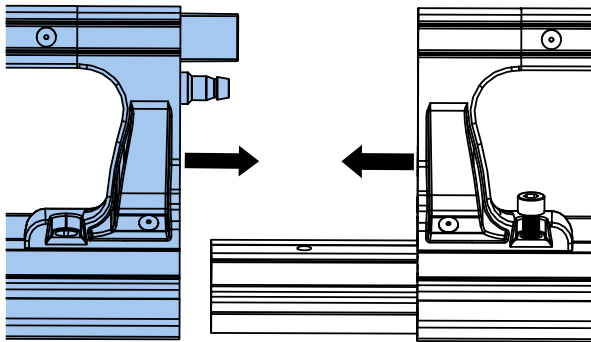
51.



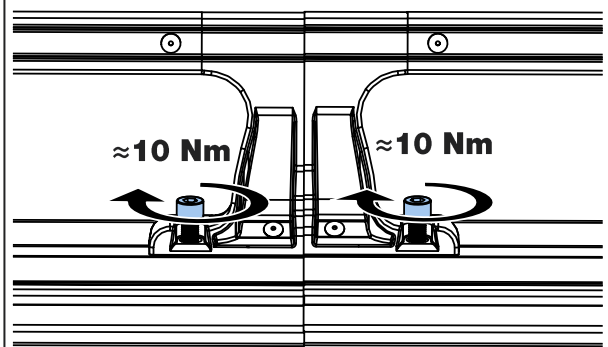
52.



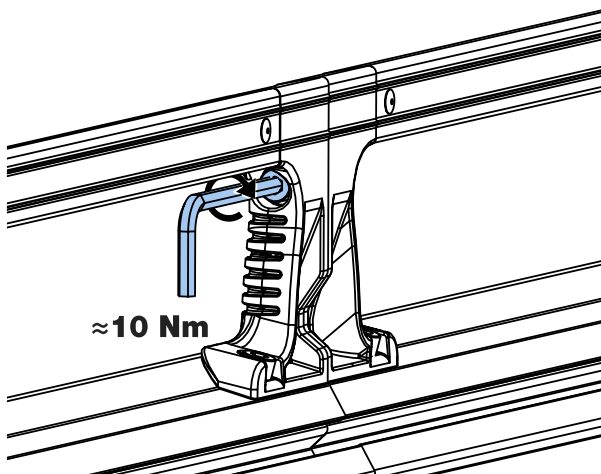
53.



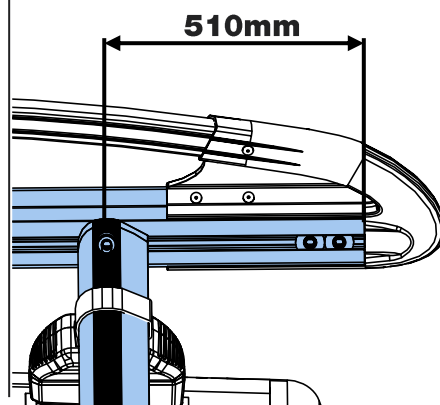
54.

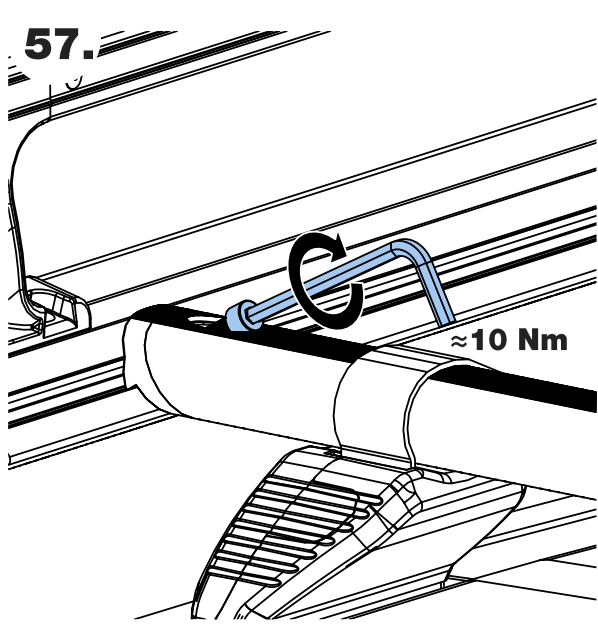


55.

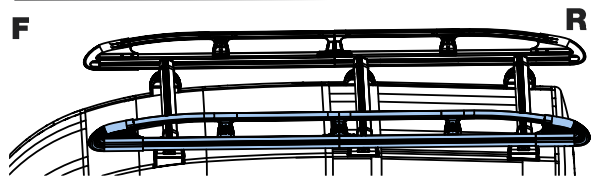
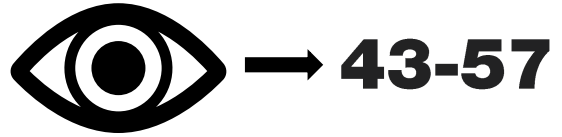


56.

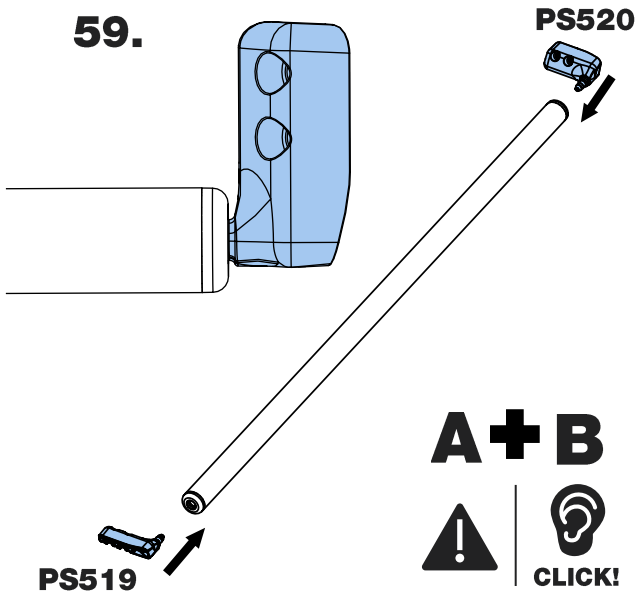




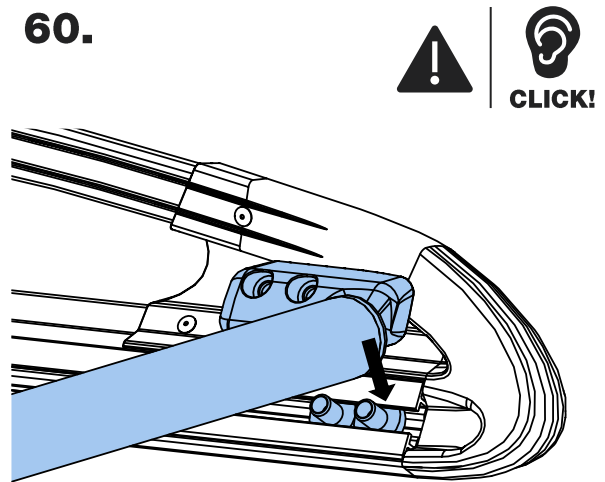
58.



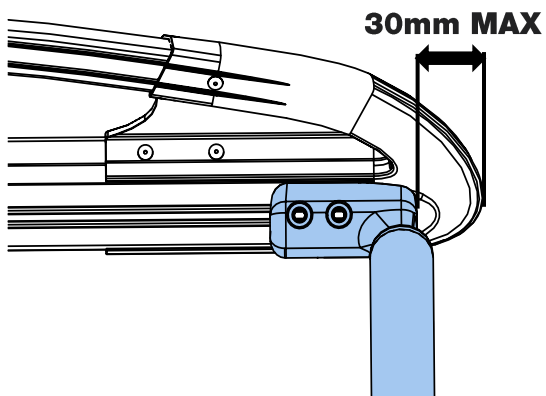
59.



60.



61.



62.

