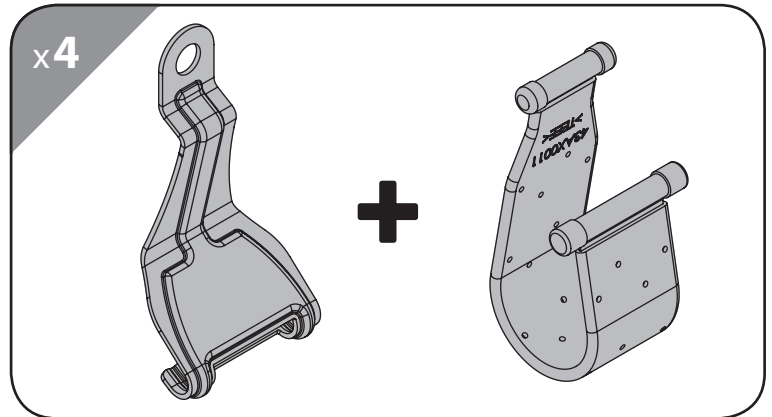


**F 2** Art. **N21402**

**F 3** Art. **N21403**

## FIT-Kit

### STANDARD RAILING



Ⓘ Per    ⒼⒹ For    Ⓕ Pour    Ⓓ Für    Ⓔ Para

## SNAP SERIES

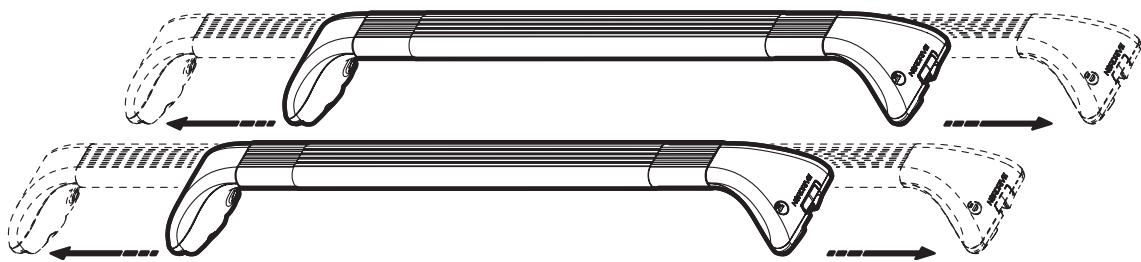
### TELESCOPIC BARS

Acciaio / Steel / Acier / Stahl / Acero

**N15010 - N15012 - N15014 - N15016**

Alluminio / Aluminium / Aluminio

**N15011 - N15013 - N15015 - N15017**



TESTATO E CERTIFICATO

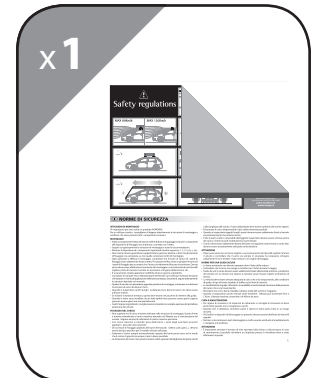
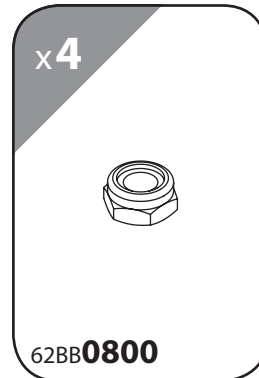
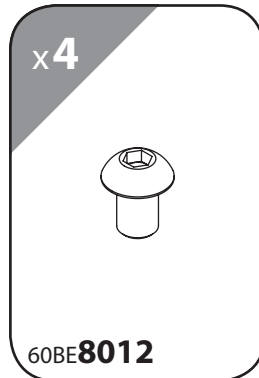
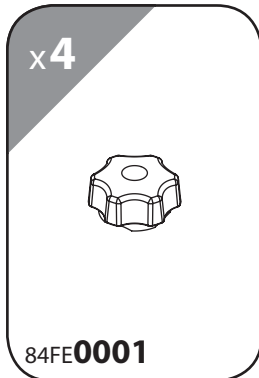
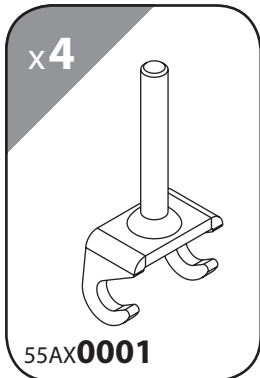
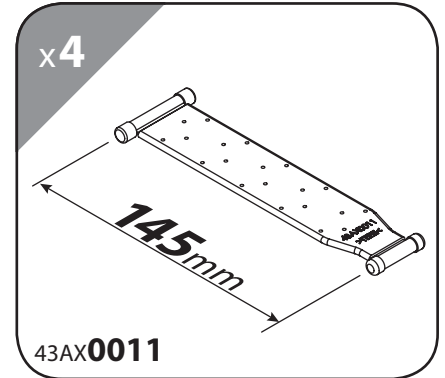
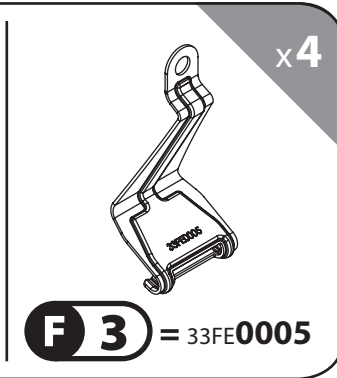
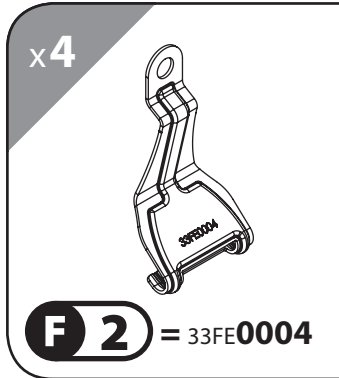
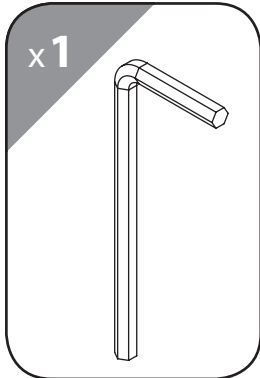
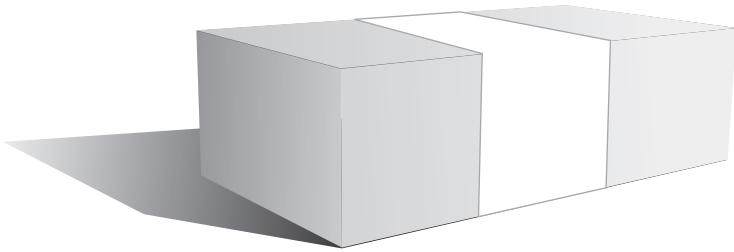
MAX  
**100** KG



TESTED AND APPROVED - GEPRÜFT UND ZERTIFIZIERT

# NORDRIVE®

TRANSPORT SOLUTIONS



Ⓘ Per    ⒼⒼ For    Ⓕ Pour    Ⓓ Für    Ⓔ Para

## x2 SNAP SERIES TELESCOPIC BARS

Acciaio / Steel / Acier / Stahl / Acero

Art. **N15010** 5,5 Kg.

Art. **N15012** 7 Kg.

Art. **N15014** 5,5 Kg.

Art. **N15016** 7 Kg.

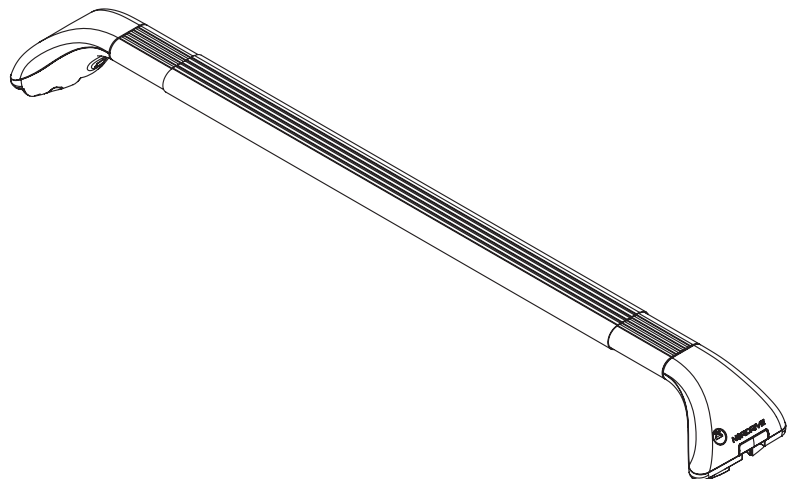
Alluminio / Aluminium / Aluminio

Art. **N15011** 3,5 Kg.

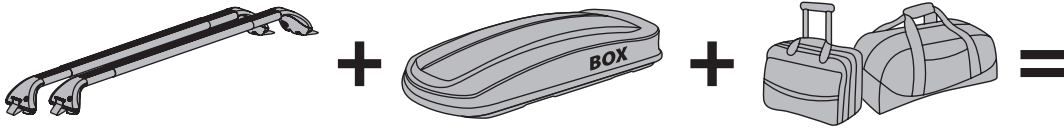
Art. **N15013** 4 Kg.

Art. **N15015** 3,5 Kg.

Art. **N15017** 4 Kg.



1



MAX  
**100**KG

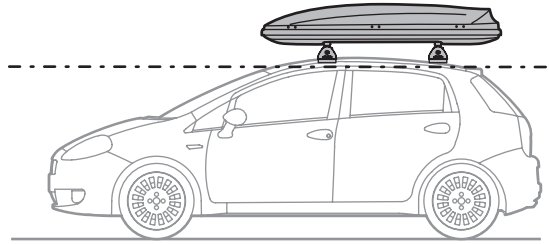
**TUV**  
SÜD

**GS**  
geprüfte  
Sicherheit

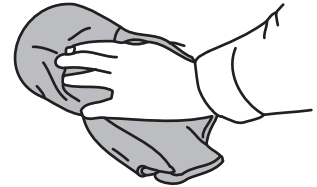
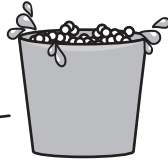
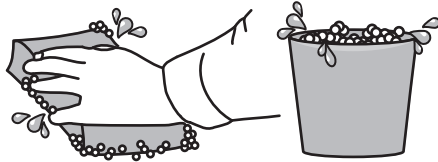
TESTATO E CERTIFICATO  
TESTED AND APPROVED  
GEPRÜFT UND ZERTIFIZIERT



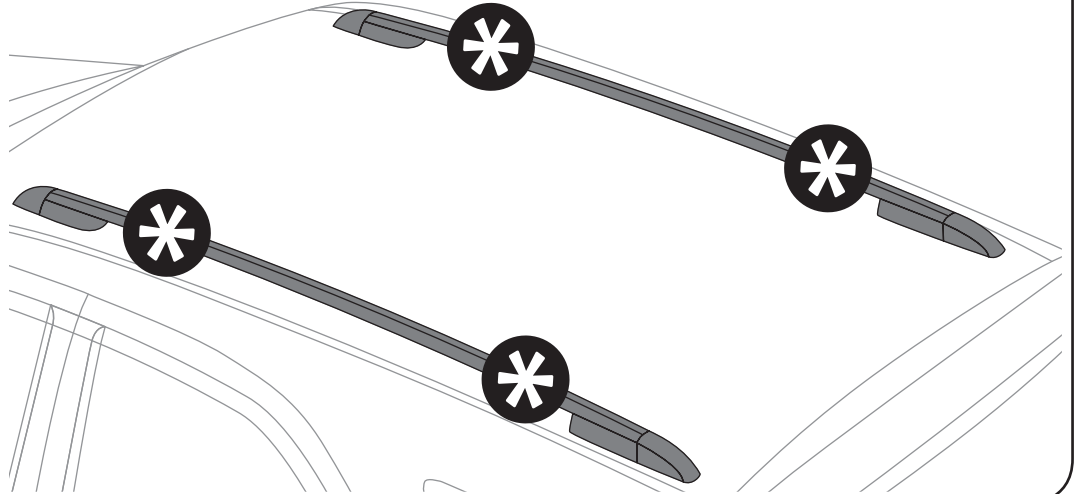
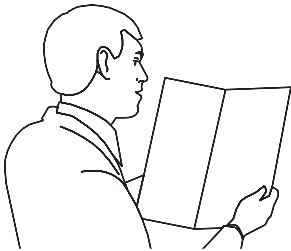
max:  
**???**kg



2

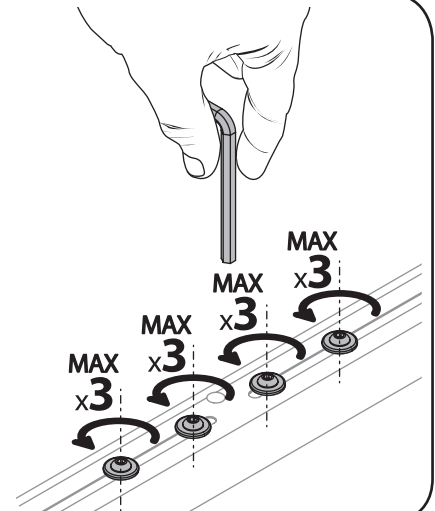
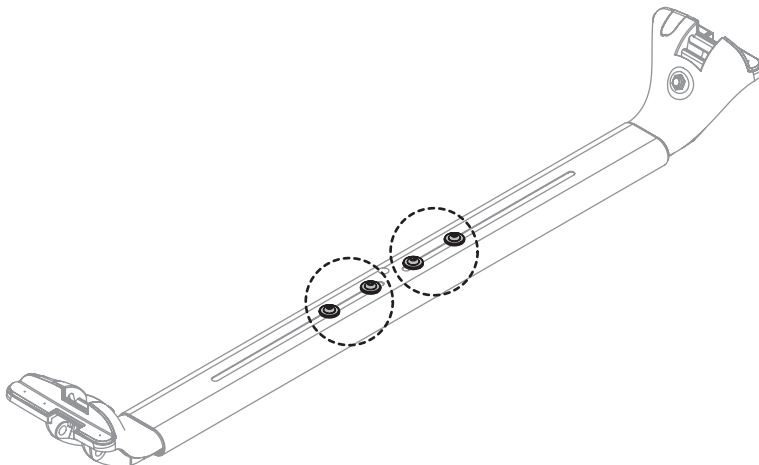


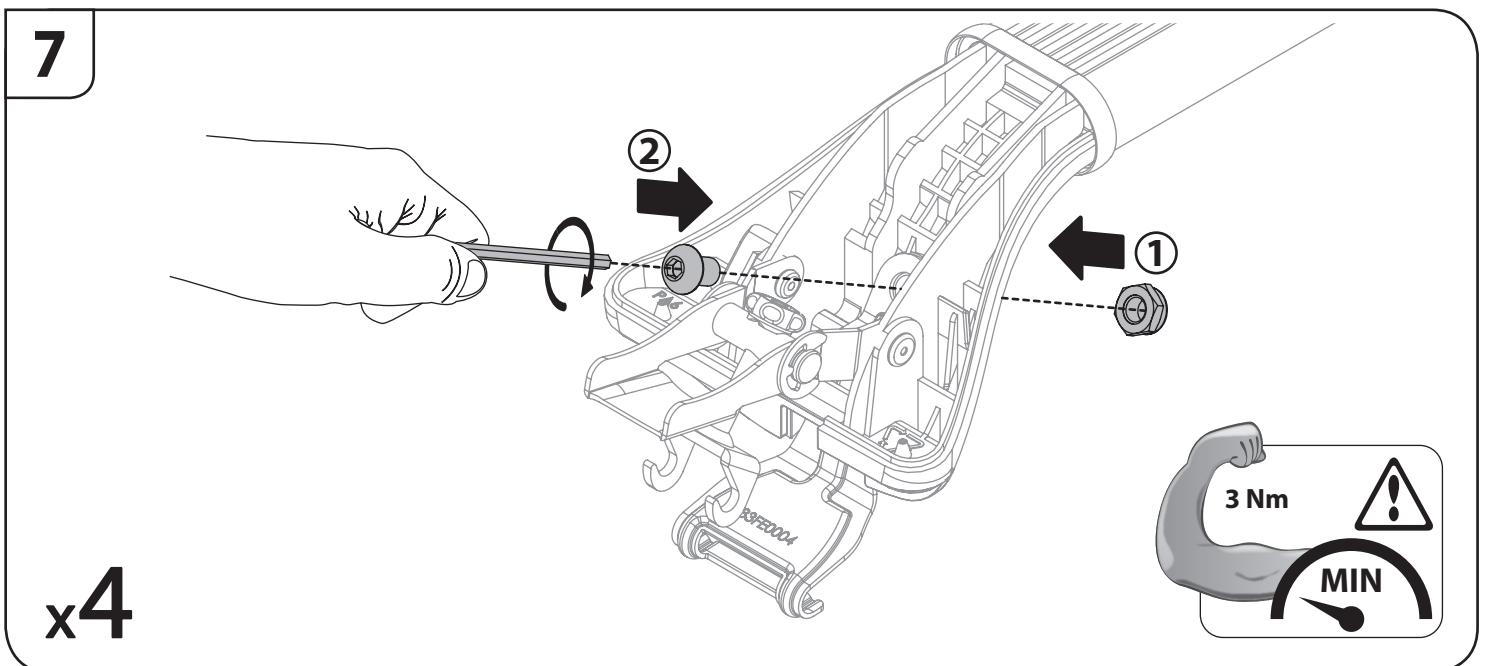
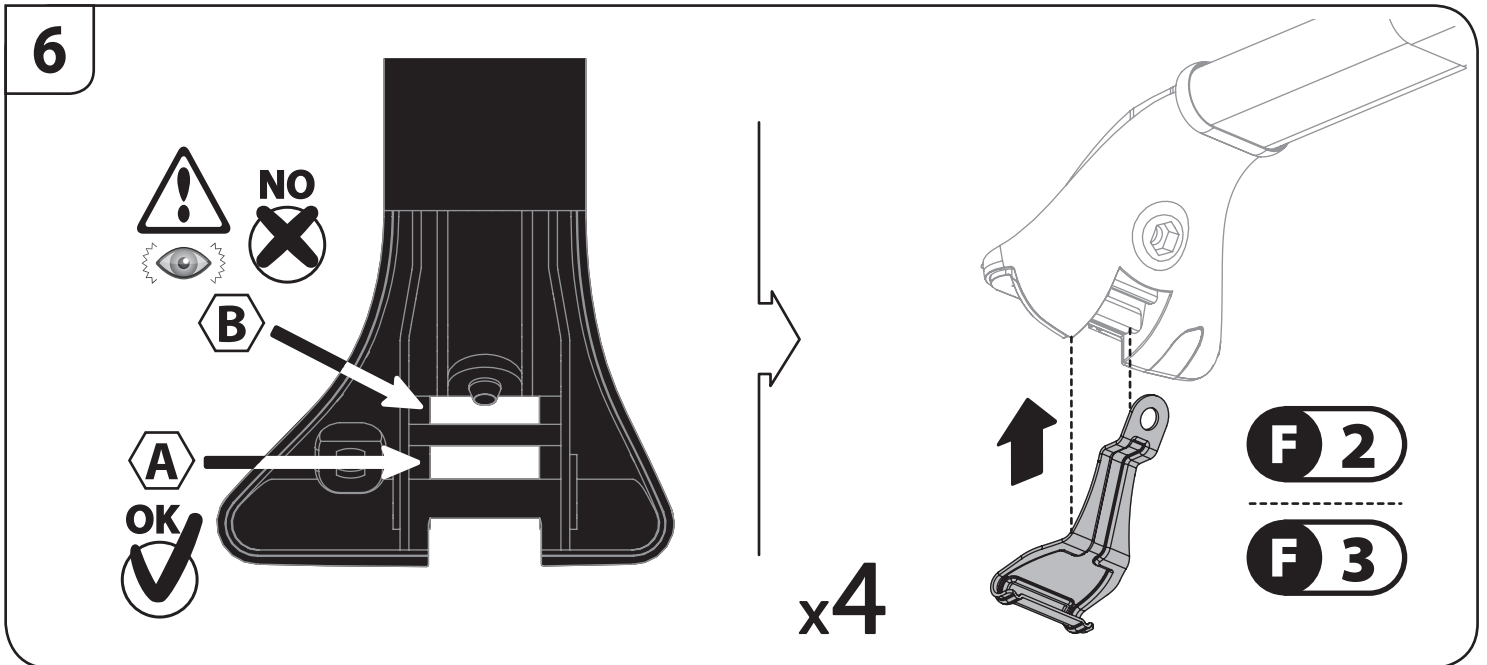
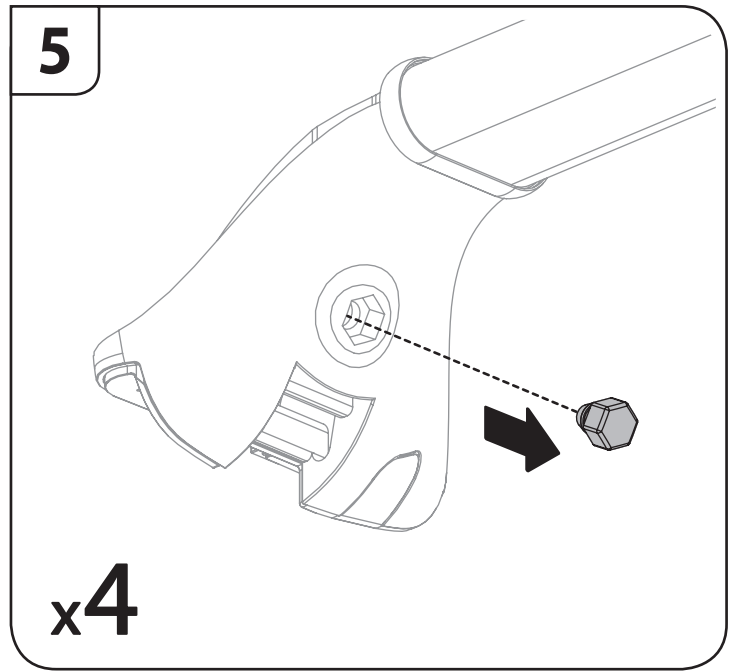
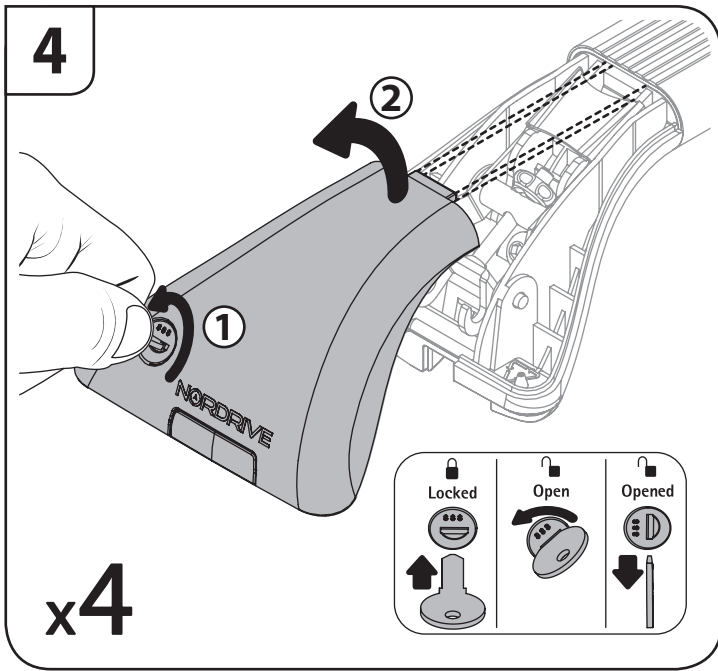
Safety Regulations



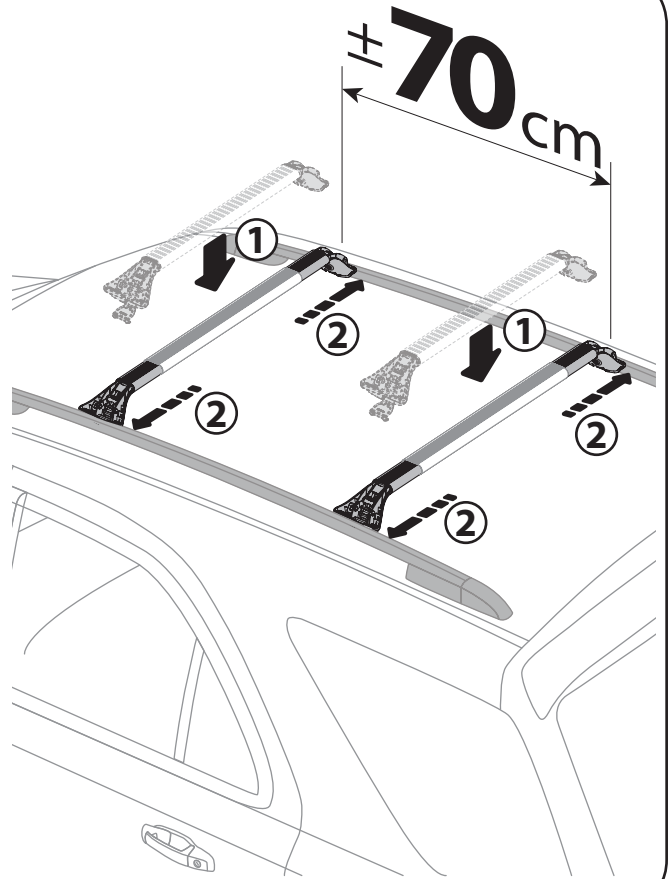
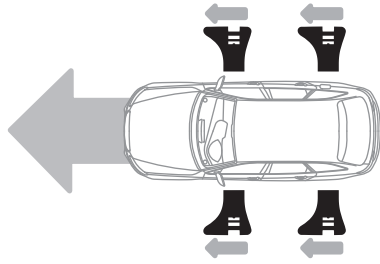
3

x2

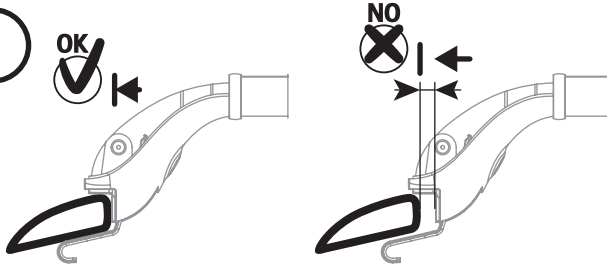




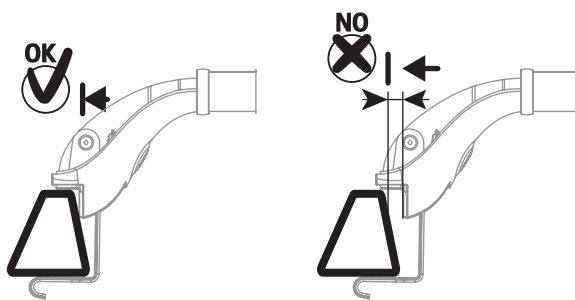
8



**F 2**



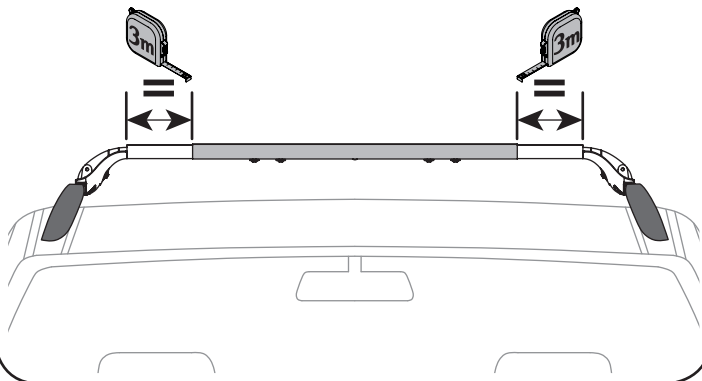
**F 3**



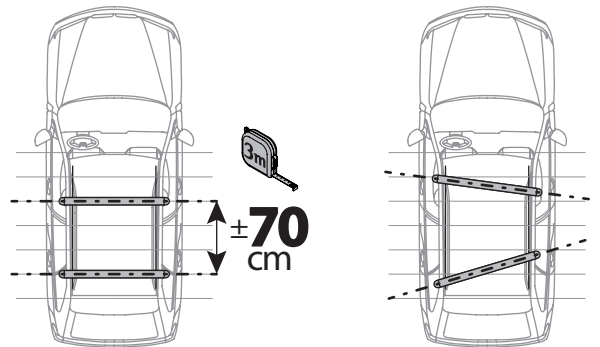
9

- ① Per    ② Für
- ③ For    ④ Para
- ⑤ Pour

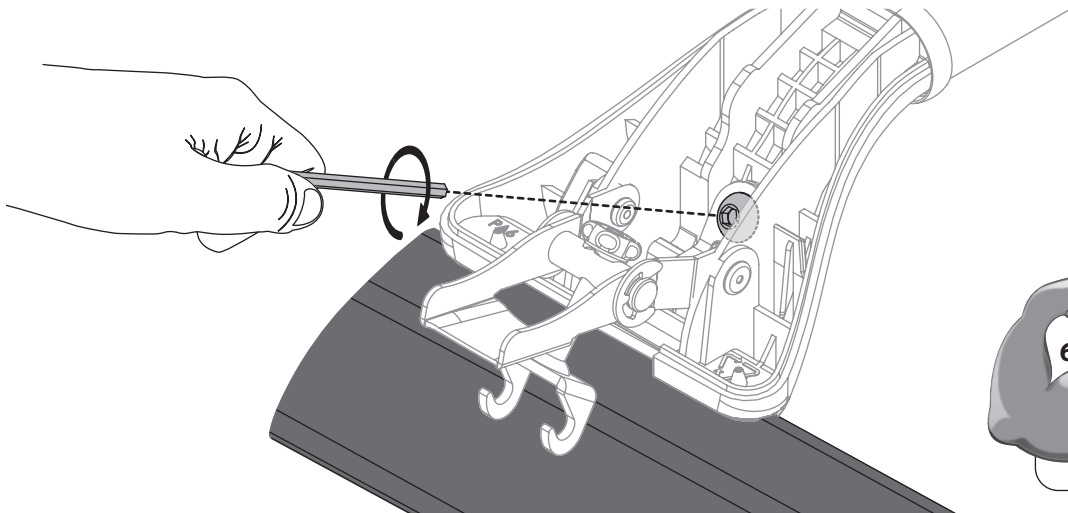
**SNAP STEEL**  
TELESCOPIC ROOF BARS



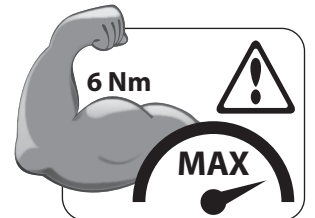
10



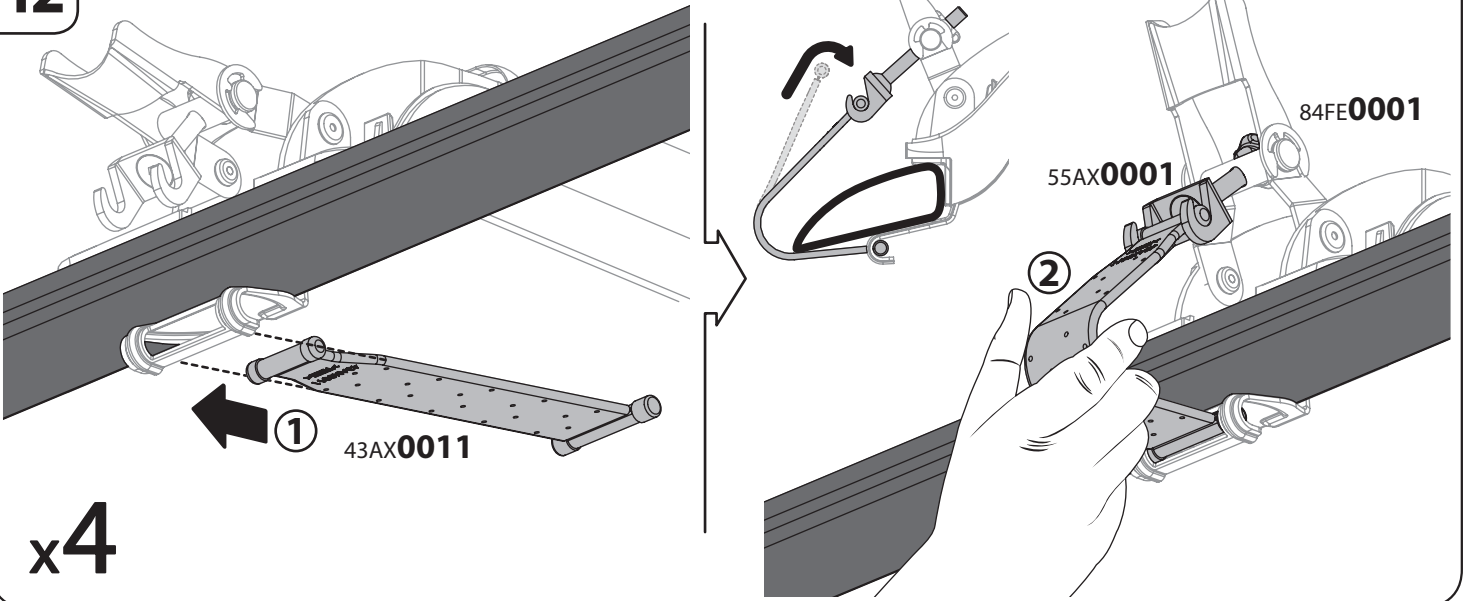
11



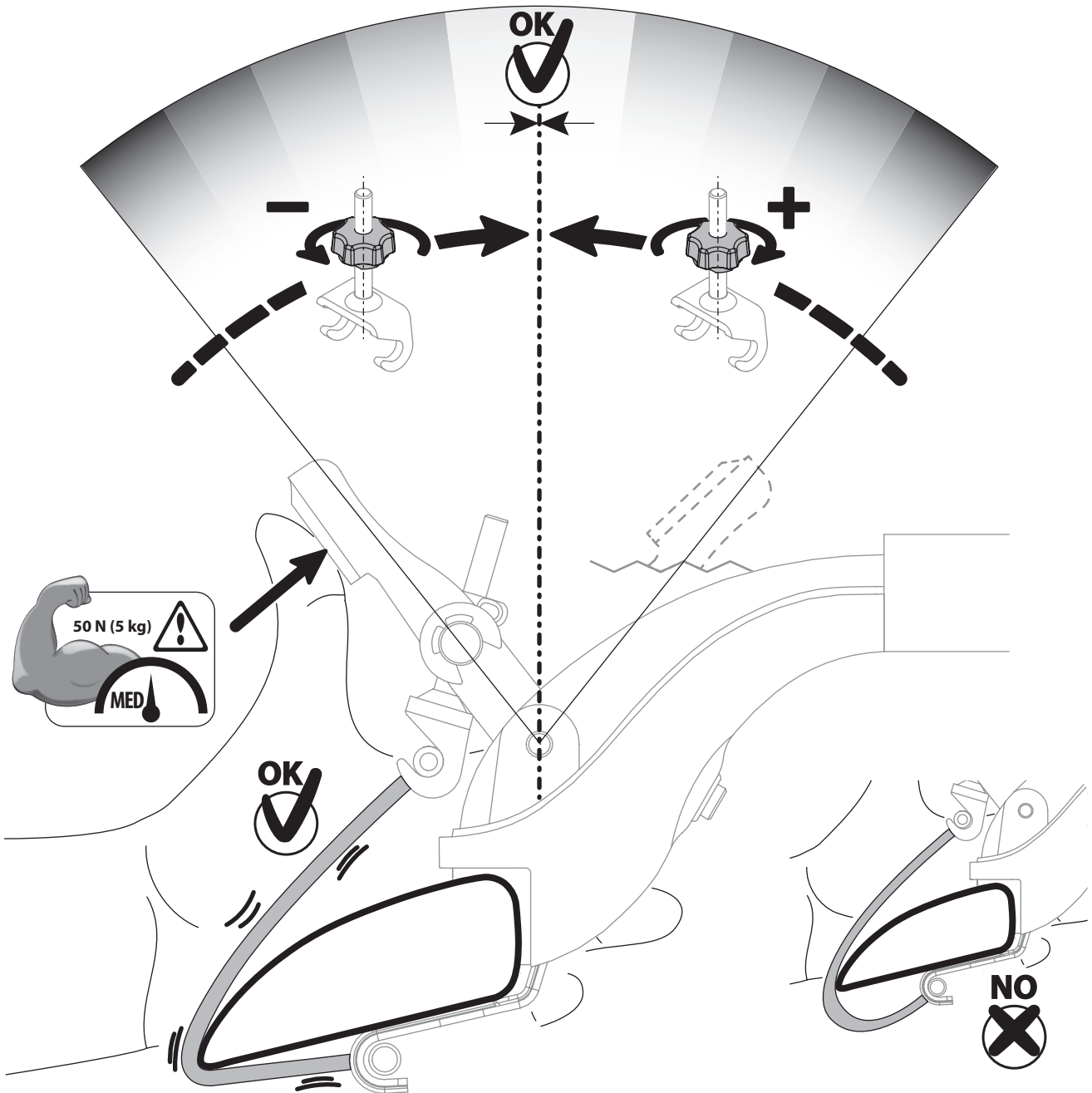
x4



12

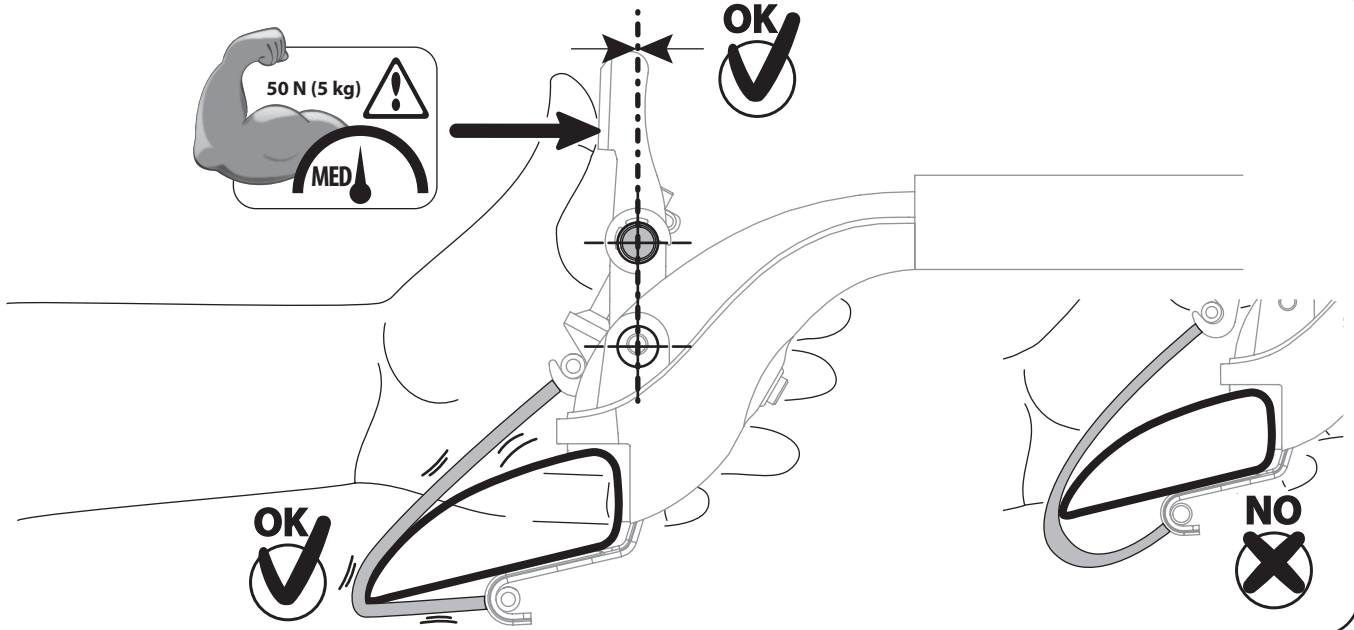


13

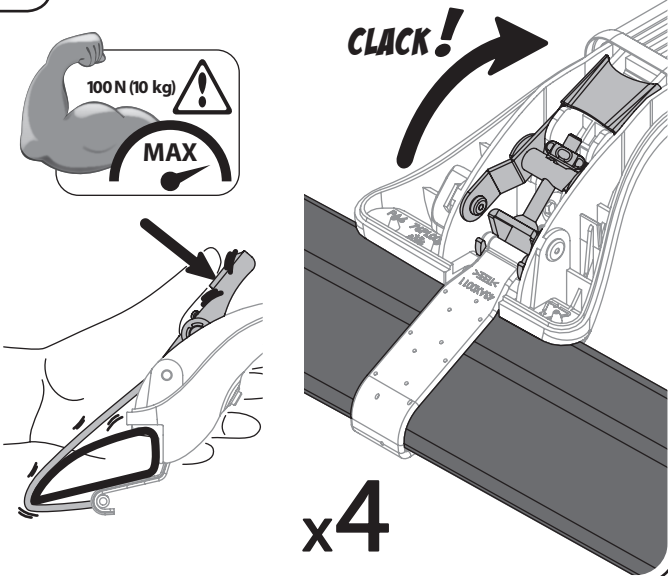




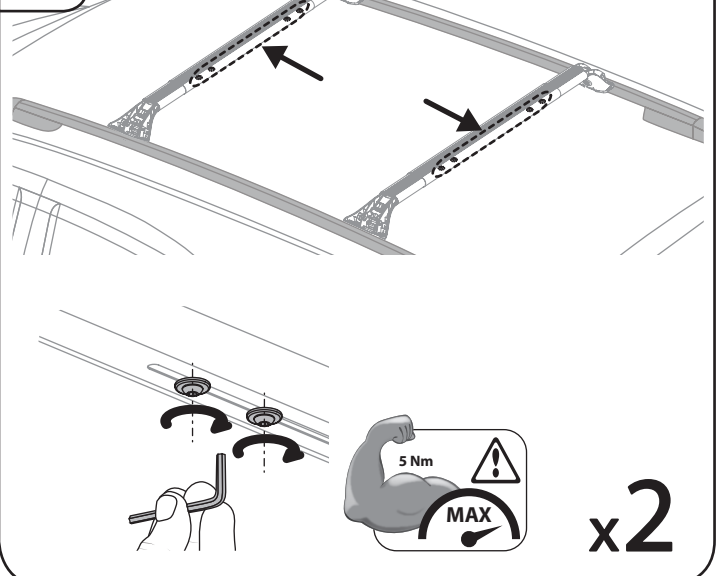
14



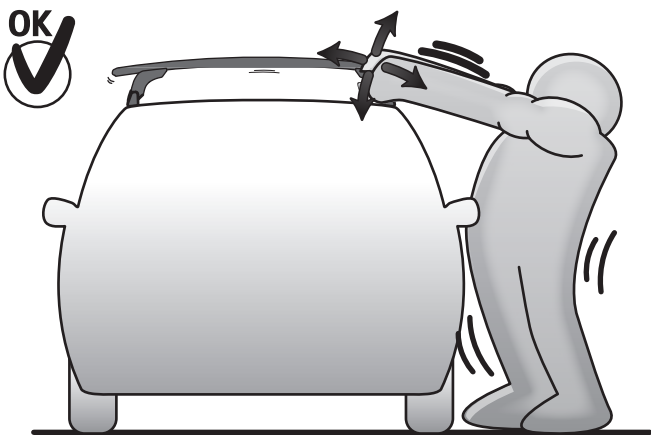
15



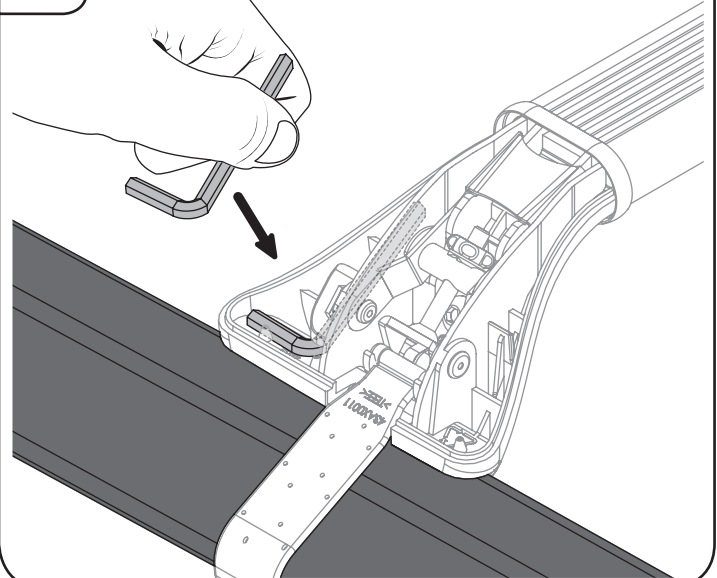
16



17

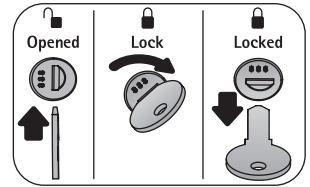
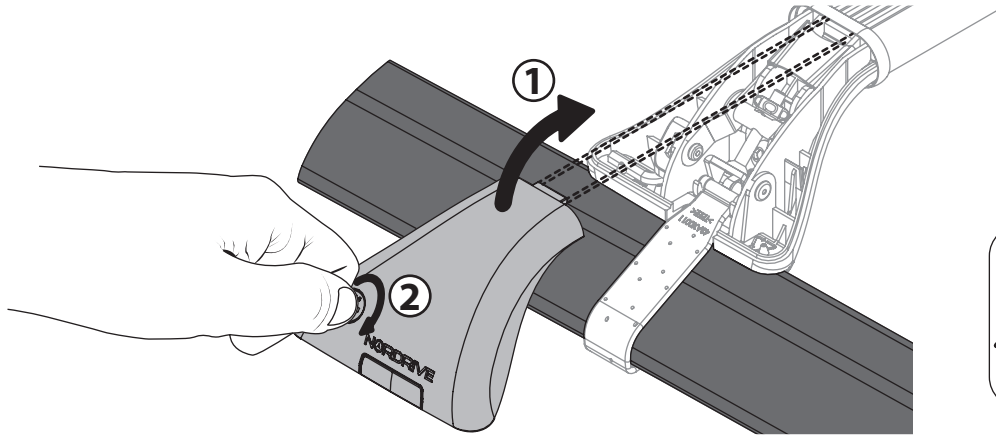


18



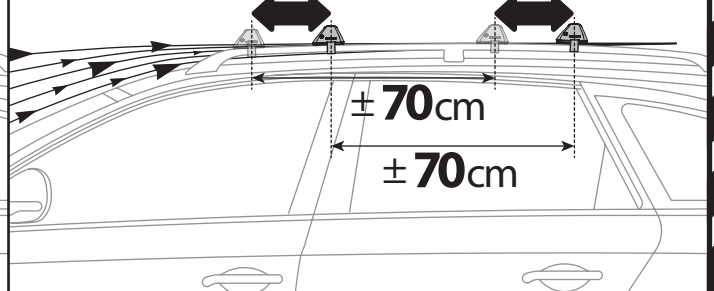
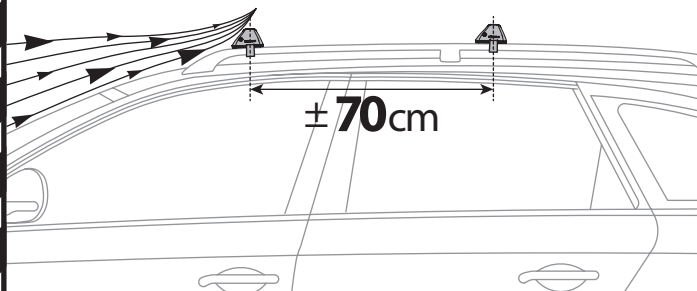
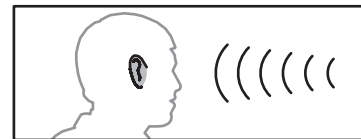
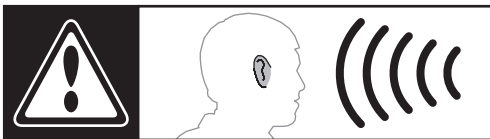
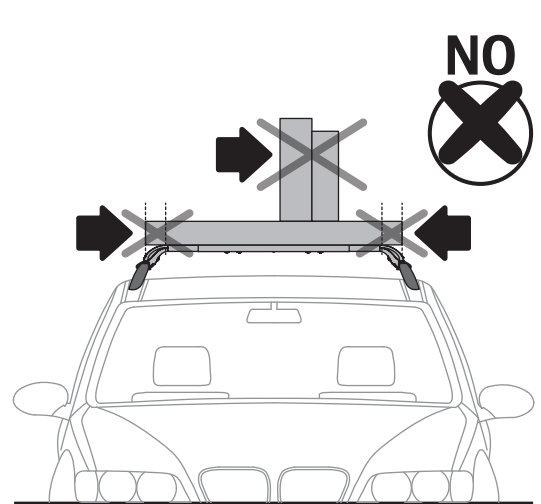
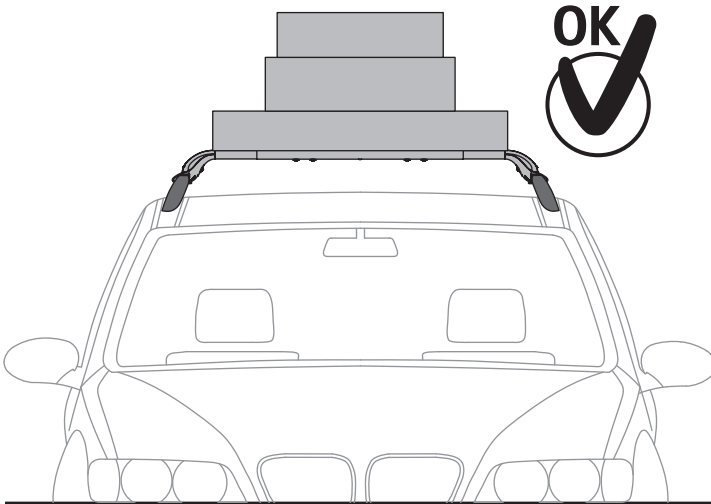
19

x4



# ATTENZIONE

## WARNING



**NORDRIVE**<sup>®</sup>  
TRANSPORT SOLUTIONS

is a registered trademark of

**LAMPA S.p.A.**

46019 Viadana (MN) ITALY

Ditta certificata UNI ENI ISO 9001:2008

[www.nordrive.it](http://www.nordrive.it) [www.lampa.it](http://www.lampa.it)

91CA0149/00