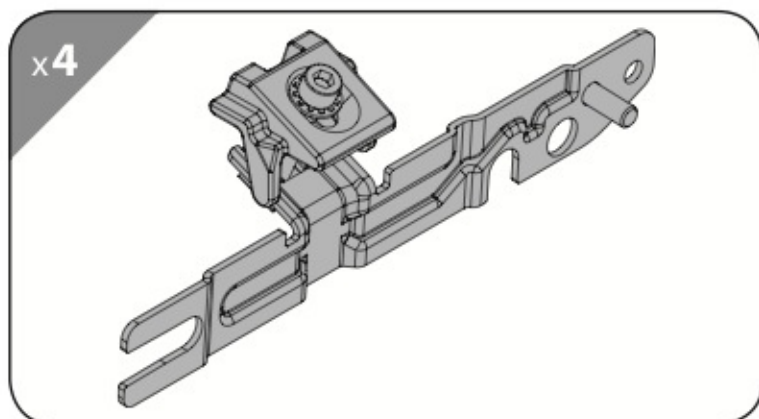


**K 4** Art. **N21414**

## CLAMP-Kit

FLUSH RAILING



Ⓡ Per Ⓢ For Ⓣ Pour Ⓤ Für Ⓥ Para

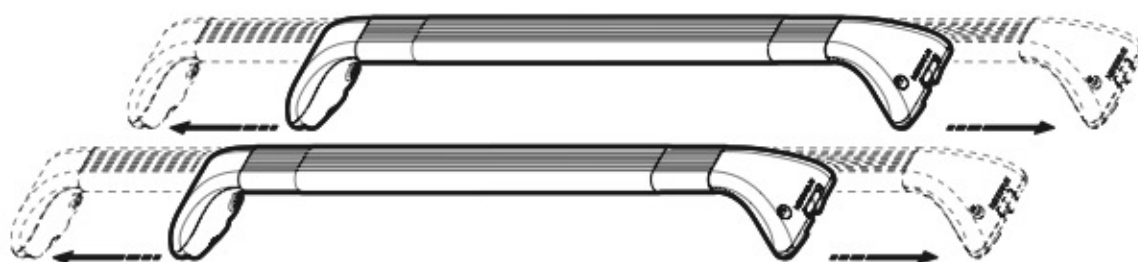
**SNAP** SERIES  
TELESCOPIC BARS

Acciaio / Steel / Acier / Stahl / Acero

**N15010 - N15012 - N15014 - N15016**

Alluminio / Aluminium / Aluminio

**N15011 - N15013 - N15015 - N15017**



TESTATO E CERTIFICATO

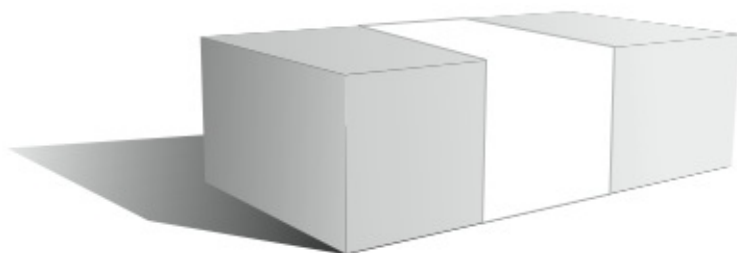
MAX  
**40** KG



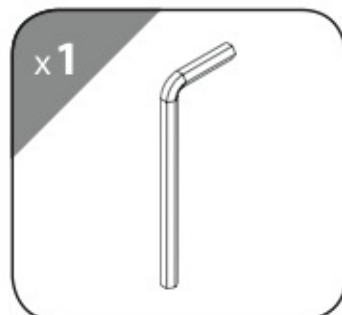
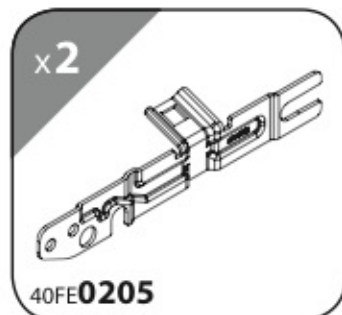
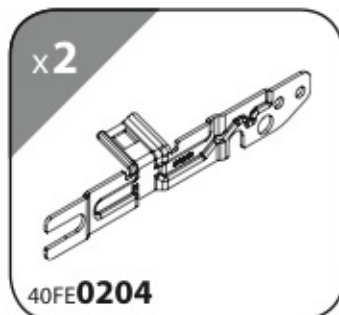
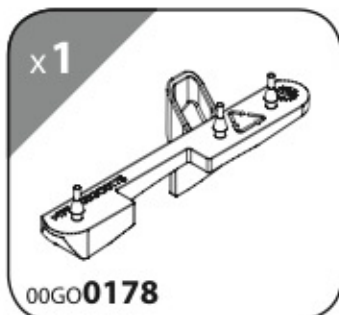
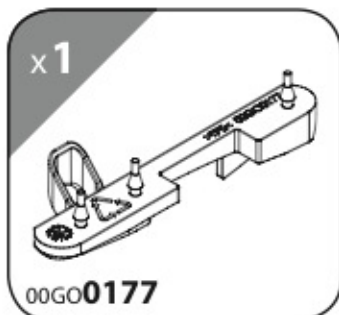
TESTED AND APPROVED - GEPRÜFT UND ZERTIFIZIERT

# NORDDRIVE®

TRANSPORT SOLUTIONS



**K 4**  
Art. **N21414**



Ⓘ Per    ⒼⒹ For    Ⓕ Pour    Ⓓ Für    Ⓔ Para

x2

## SNAP SERIES TELESCOPIC BARS

Acciaio / Steel / Acier / Stahl / Acero  
 Art. **N15010**    5,5 Kg.  
 Art. **N15012**    7 Kg.  
 Art. **N15014**    5,5 Kg.  
 Art. **N15016**    7 Kg.

Alluminio / Aluminium / Aluminio  
 Art. **N15011**    3,5 Kg.  
 Art. **N15013**    4 Kg.  
 Art. **N15015**    3,5 Kg.  
 Art. **N15017**    4 Kg.

1

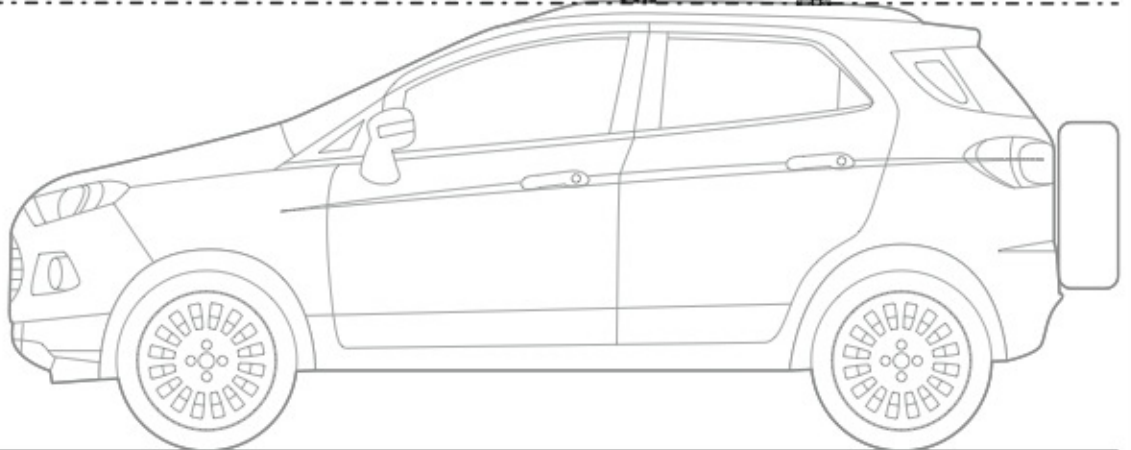
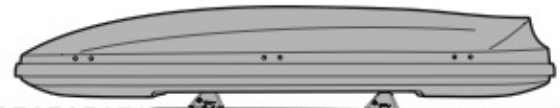


MAX 40KG



TESTATO E CERTIFICATO  
TESTED AND APPROVED  
GEPRÜFT UND ZERTIFIZIERT

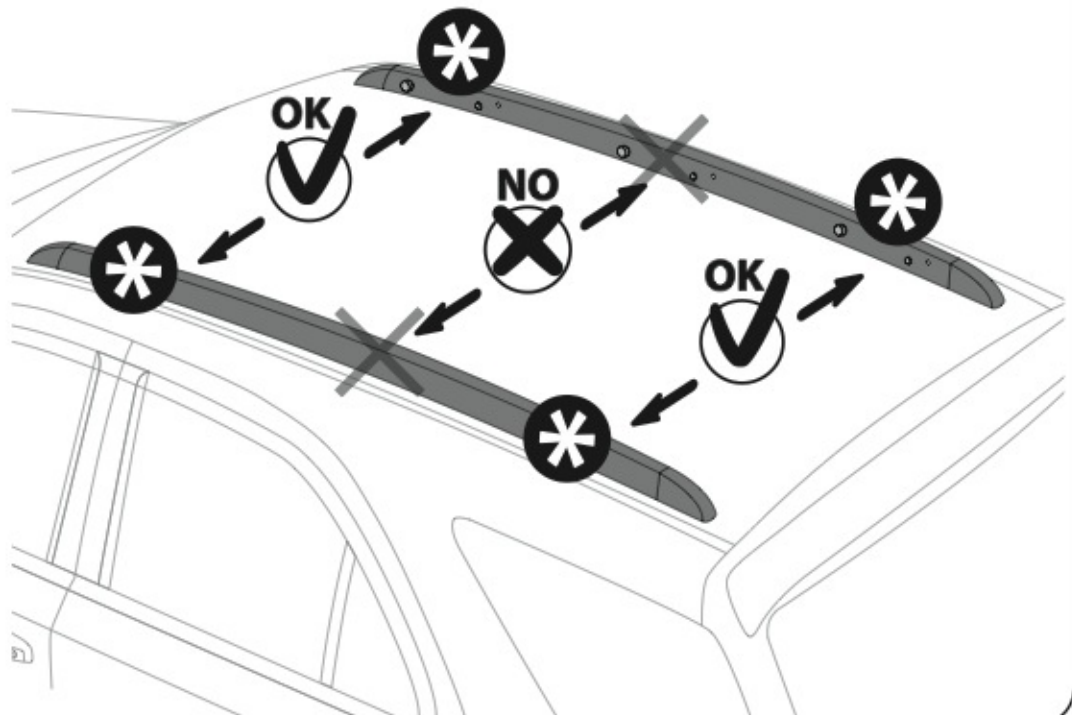
1 / 2



2



Safety Regulations

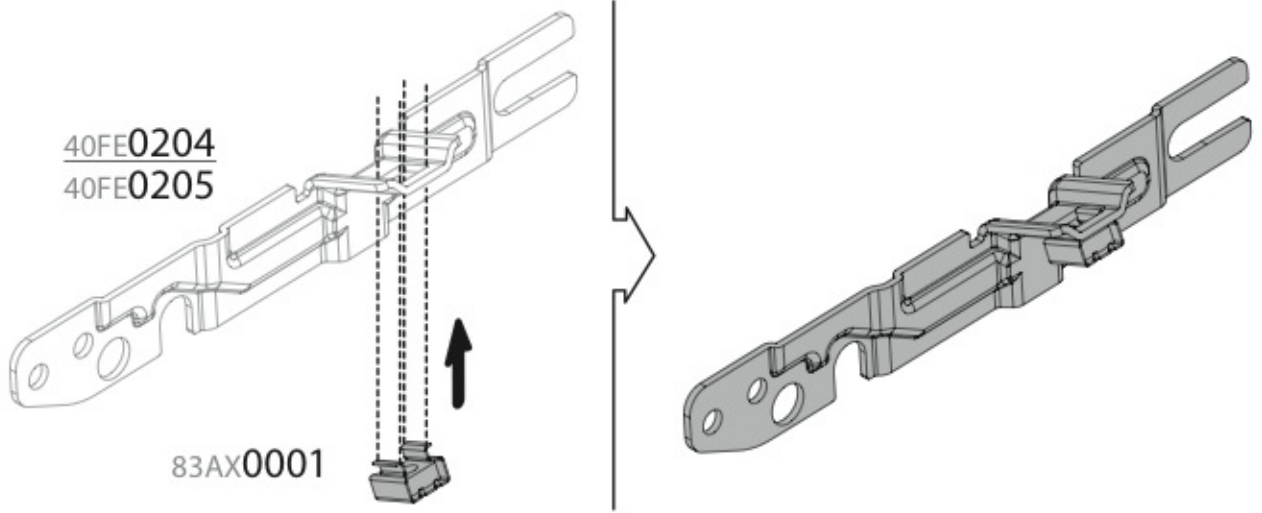


3

40FE0204  
40FE0205

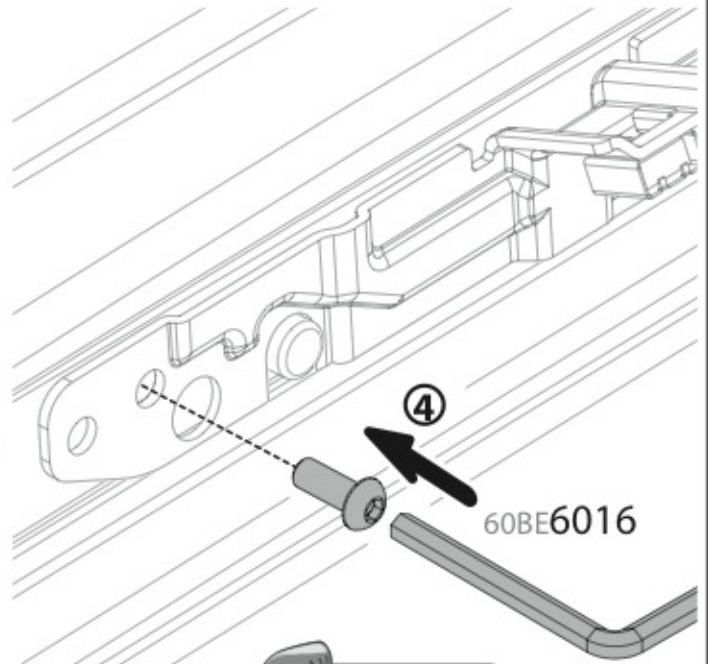
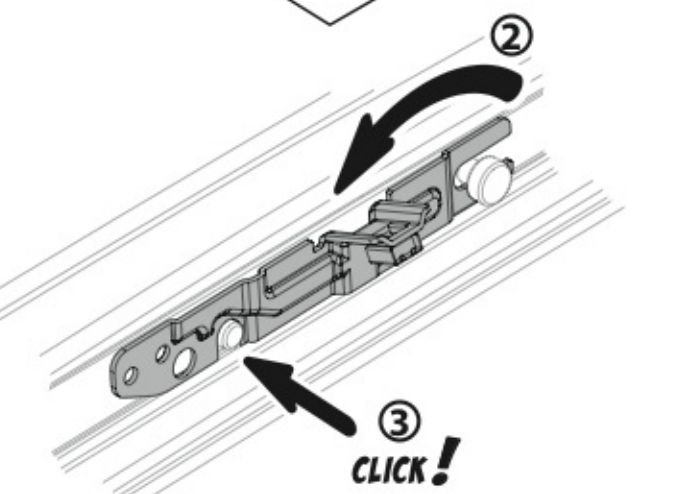
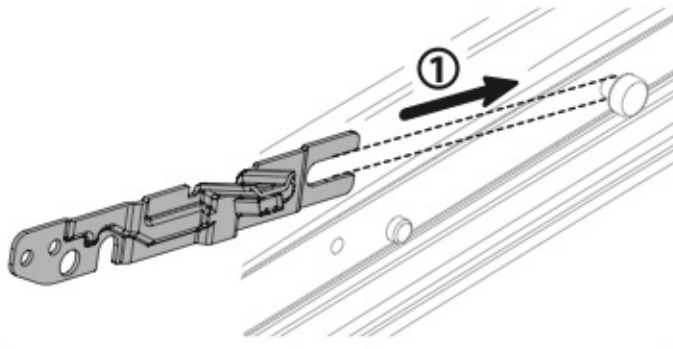
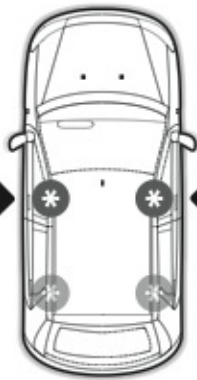
83AX0001

x4

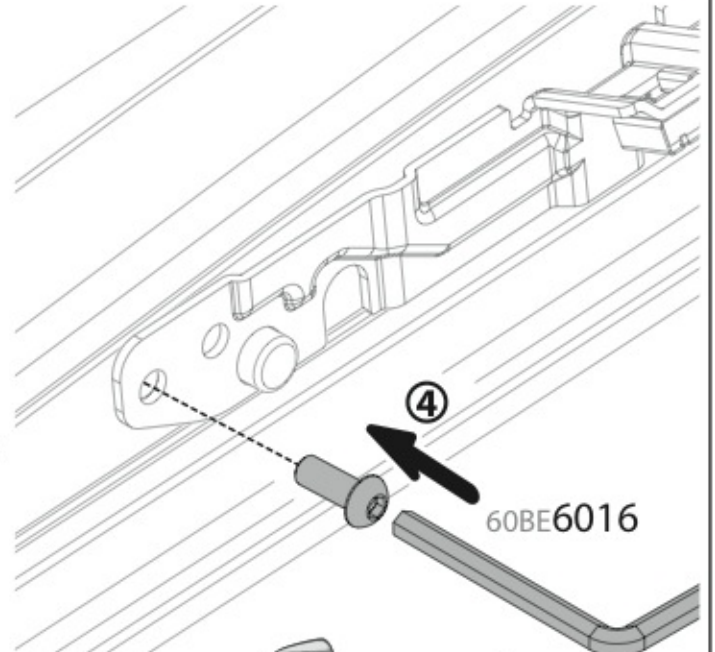
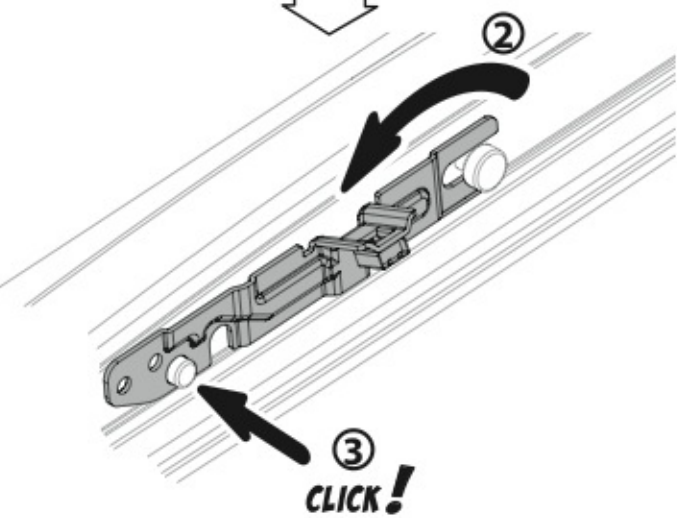
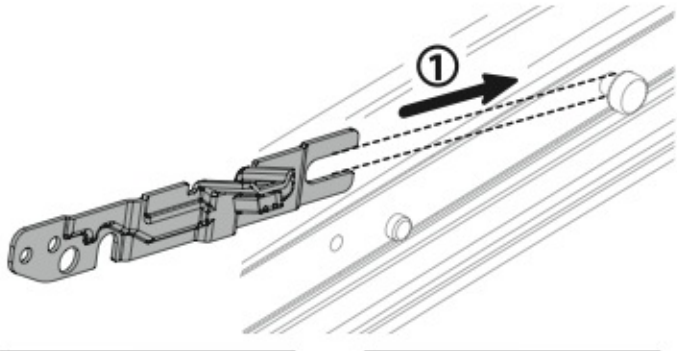
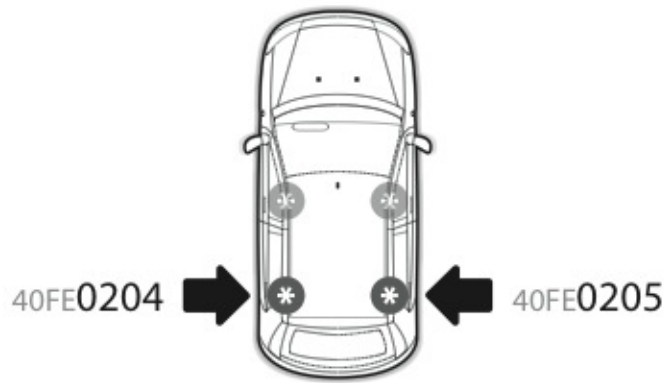


4

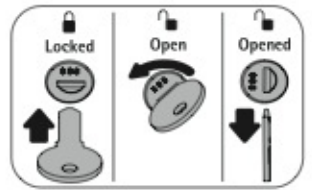
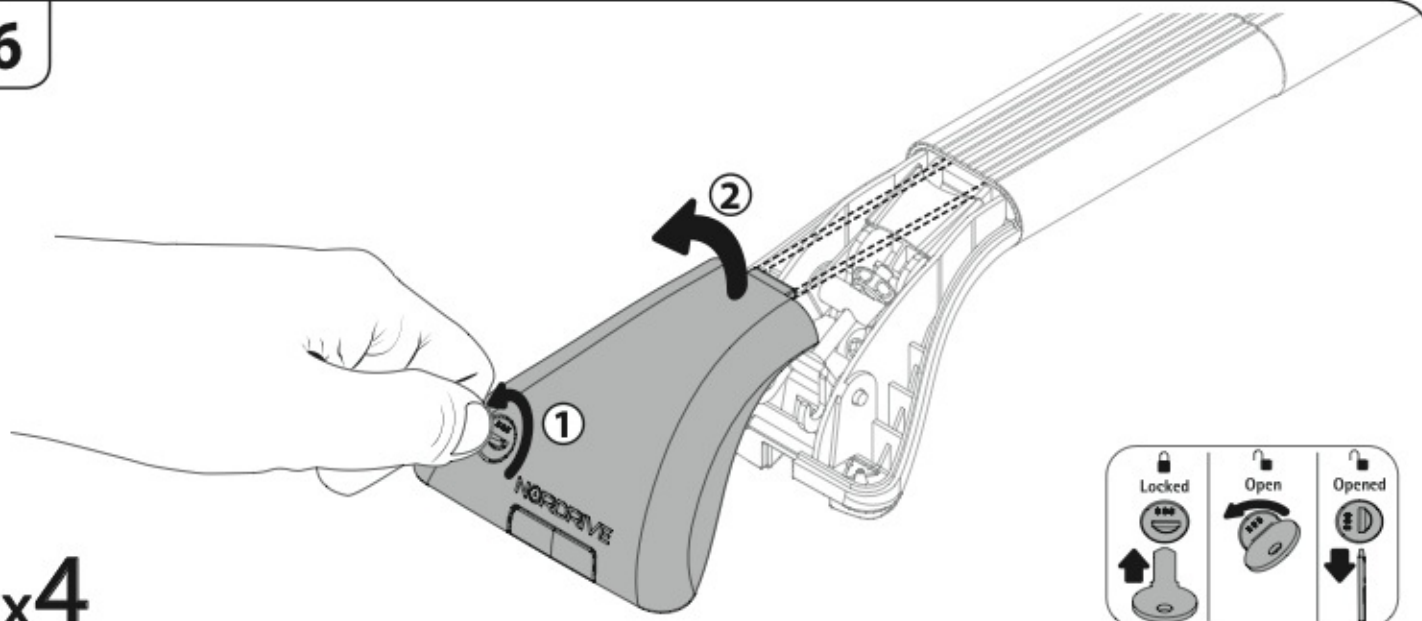
40FE0204 → \* \* ← 40FE0205



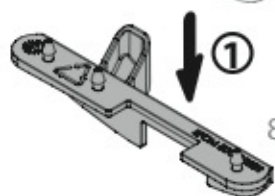
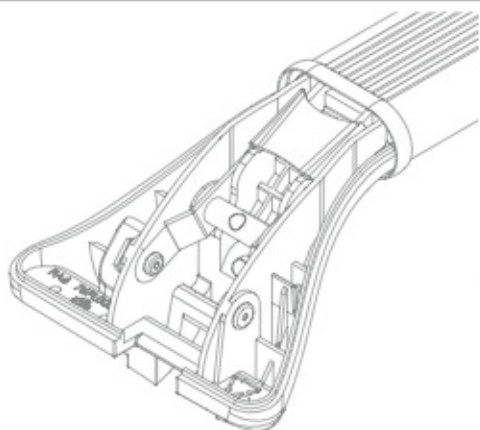
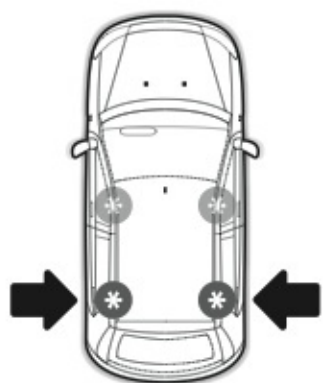
5



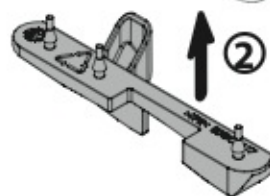
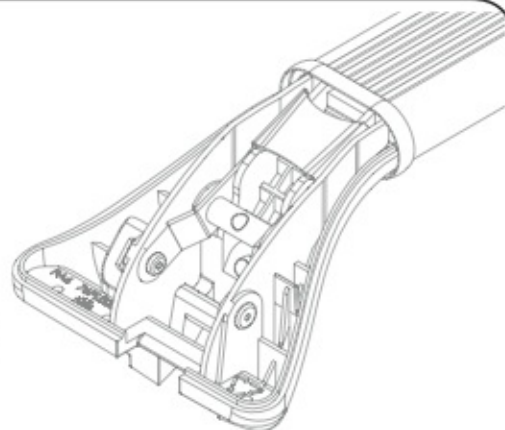
6



7



80GO0002

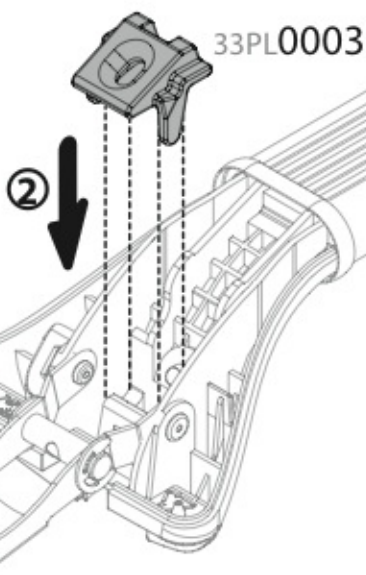


00GO0177  
00GO0178

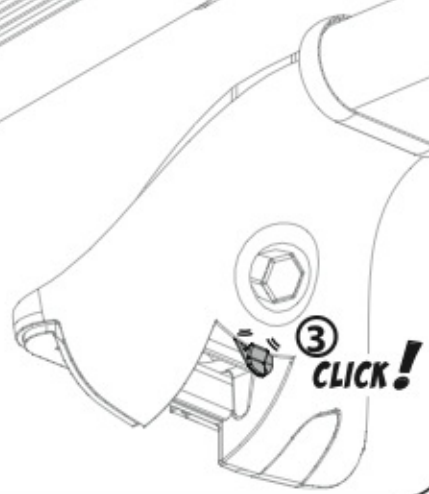
8



x4

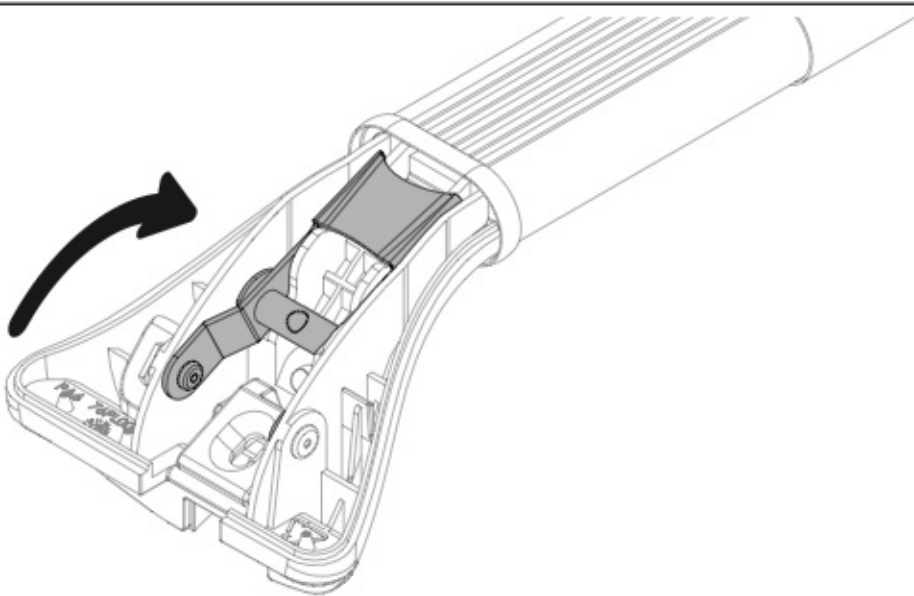


33PL0003



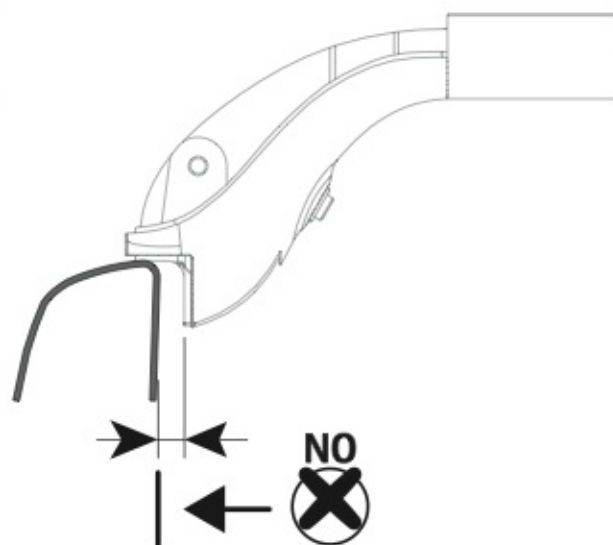
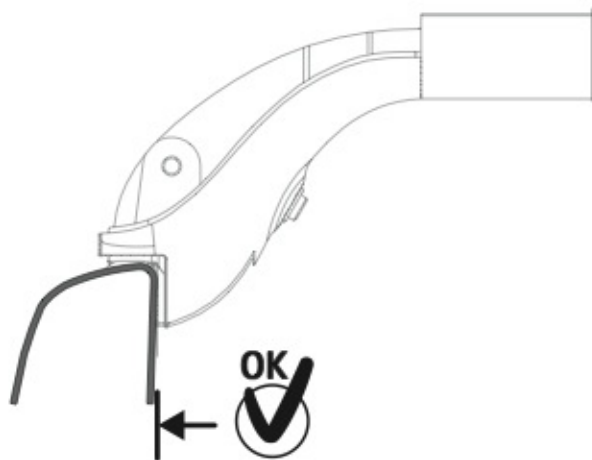
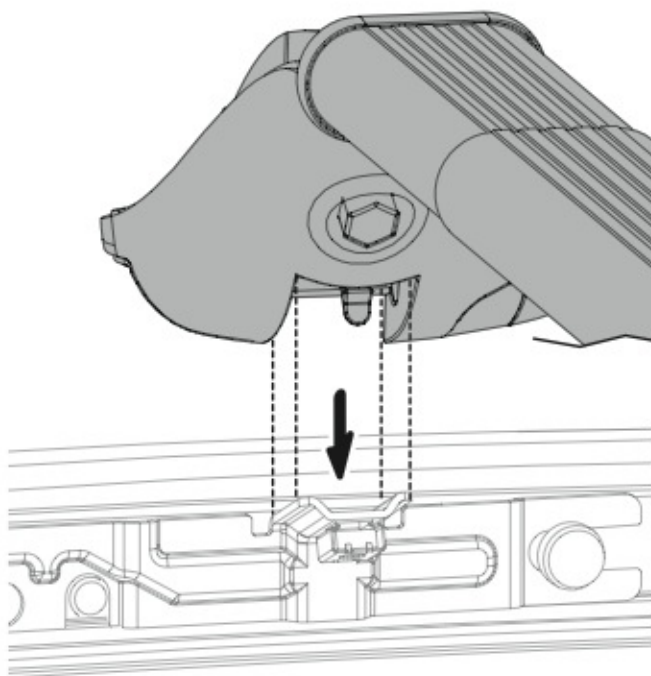
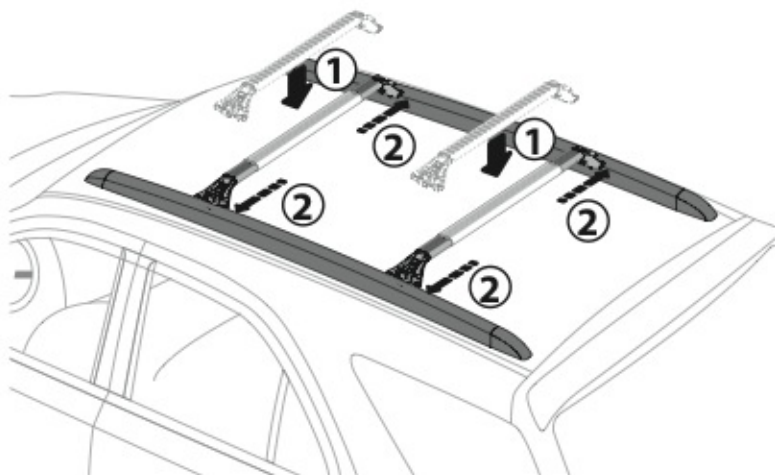
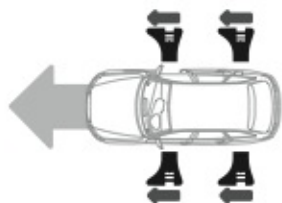
CLICK!

9



x4

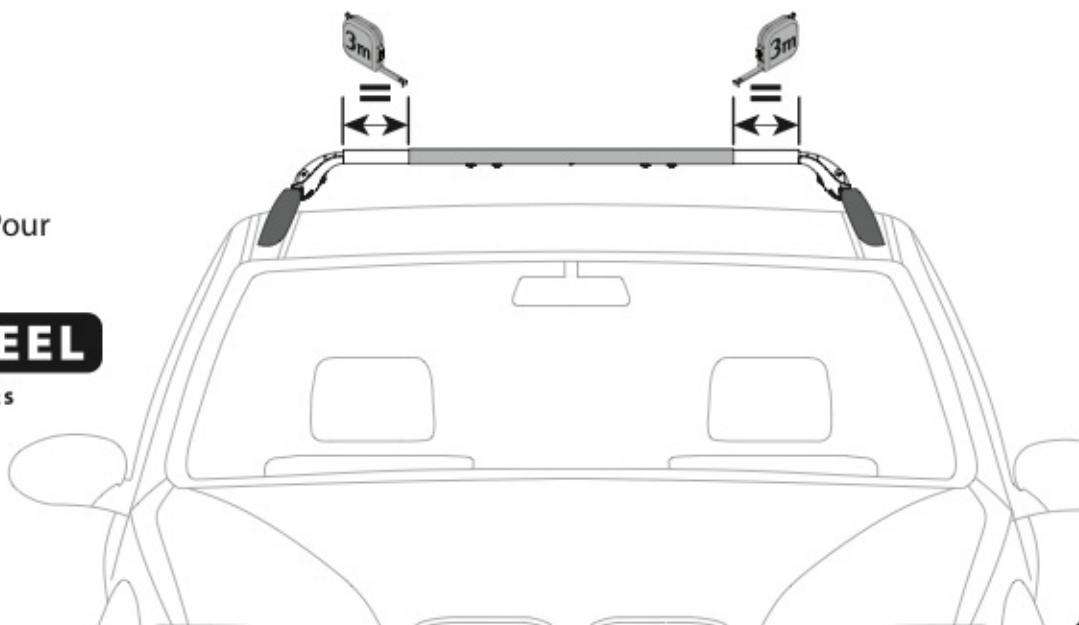
10

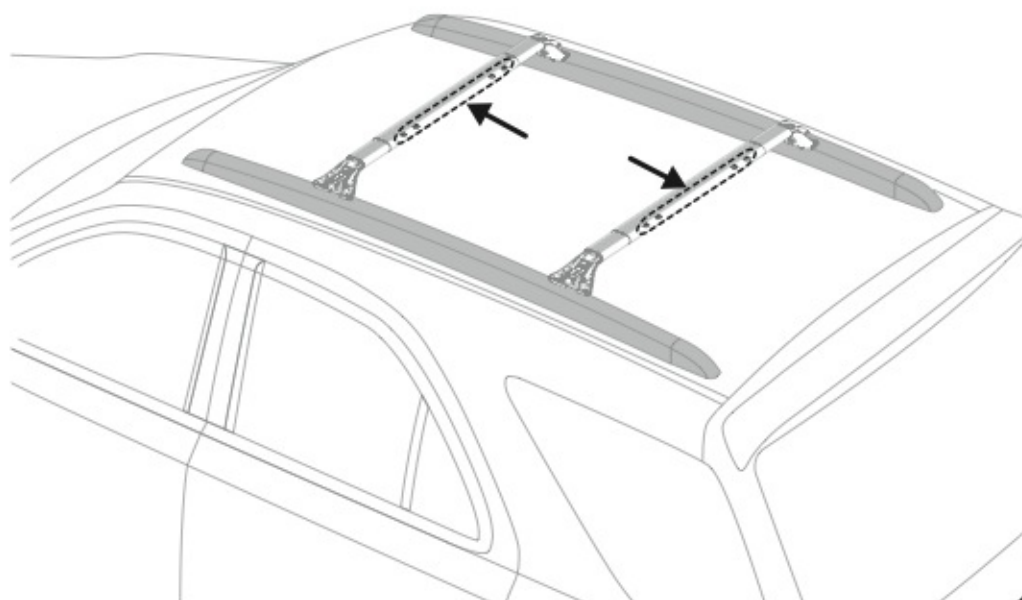
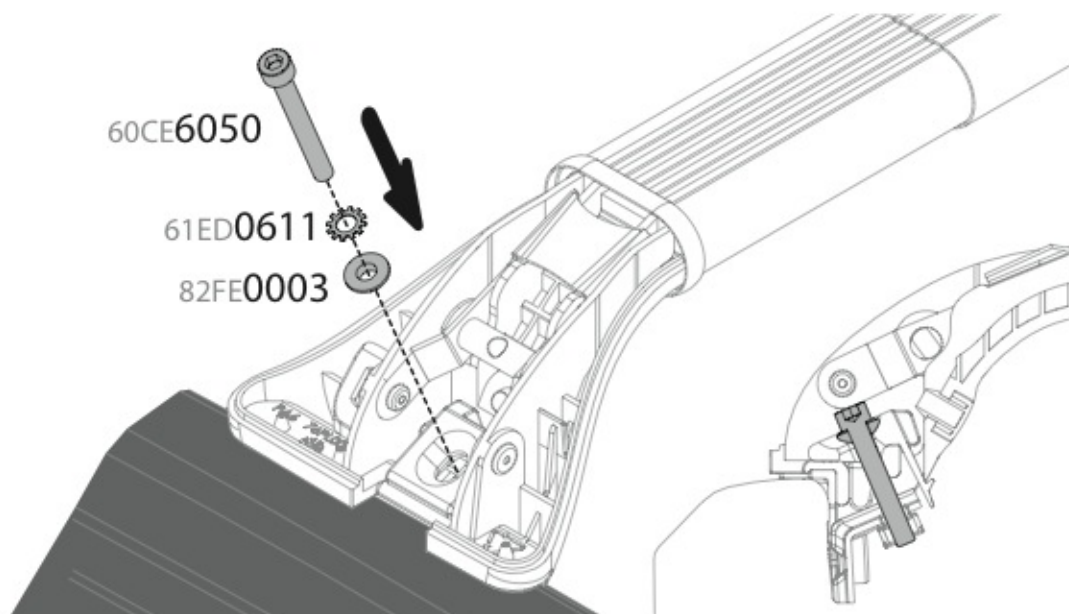
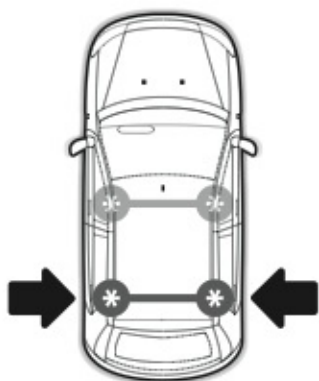
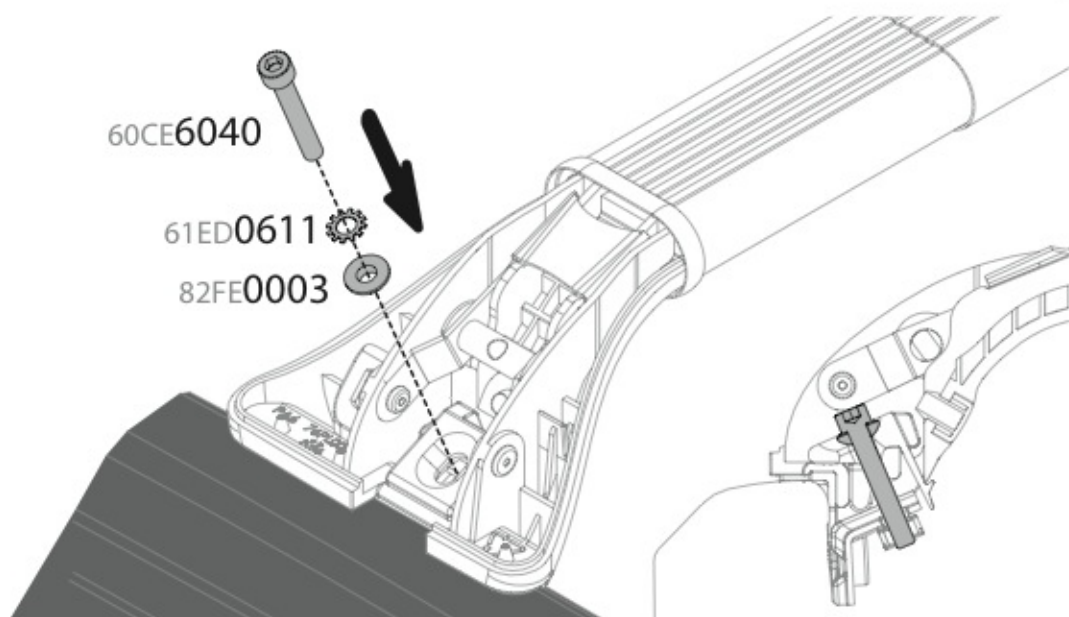
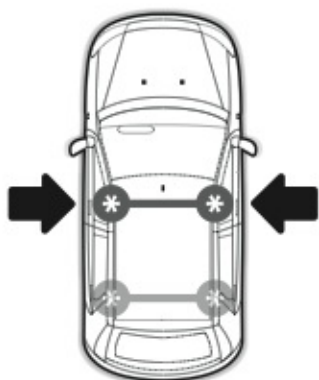


11

Ⓛ Per Ⓞ For ⓕ Pour  
Ⓛ Für Ⓞ Para

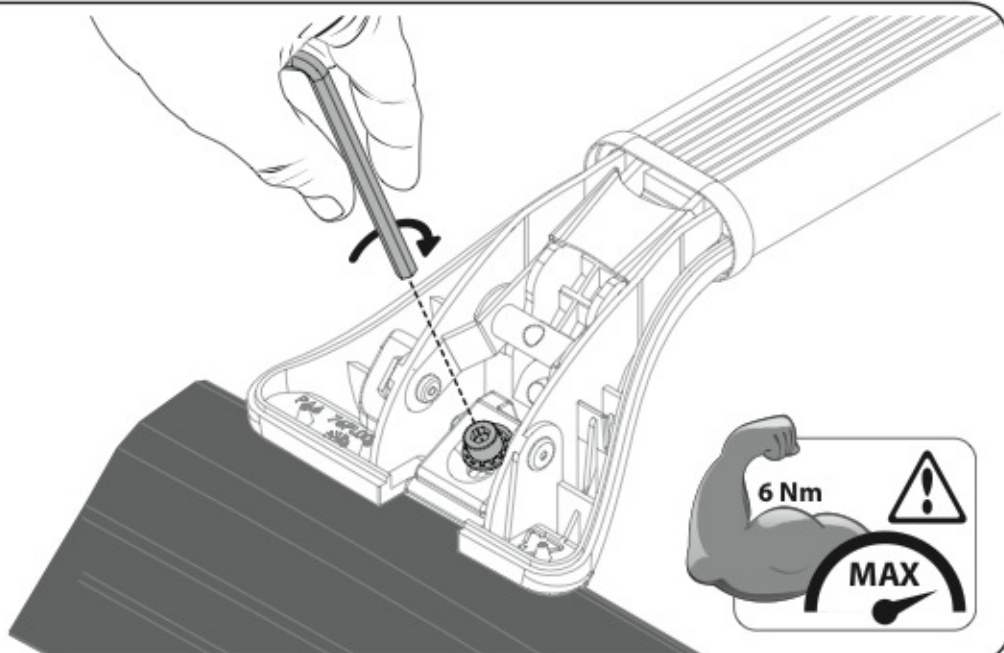
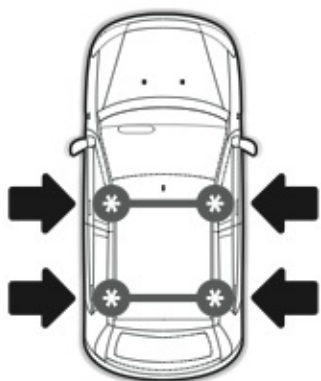
**SNAP STEEL**  
TELESCOPIC ROOF BARS



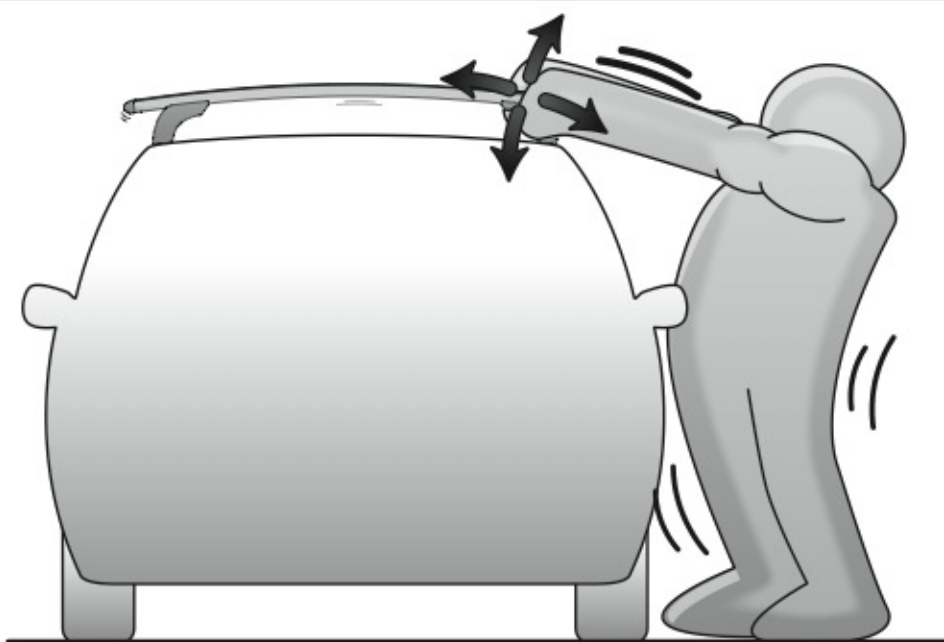
**12****x2****13**



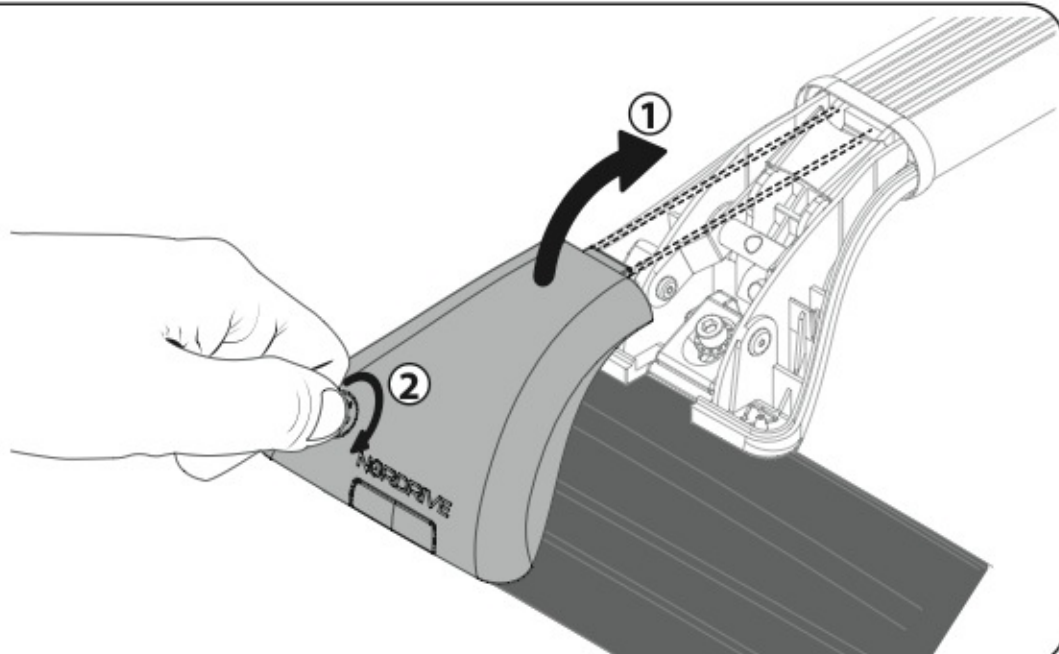
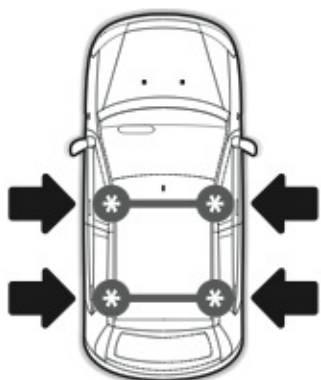
14



15



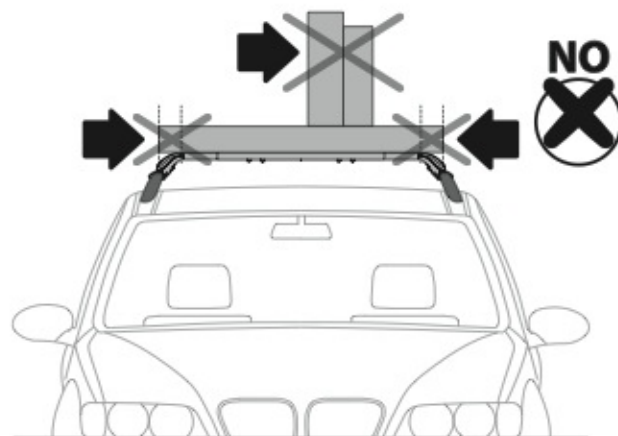
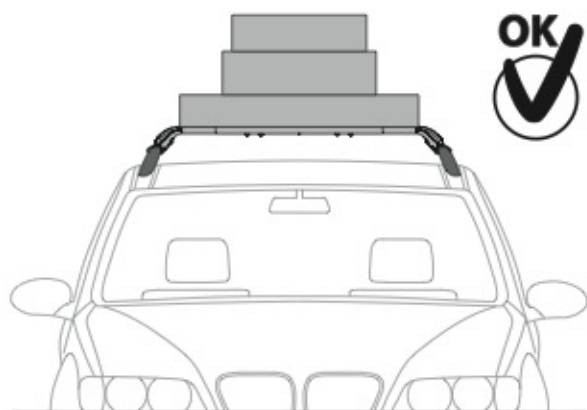
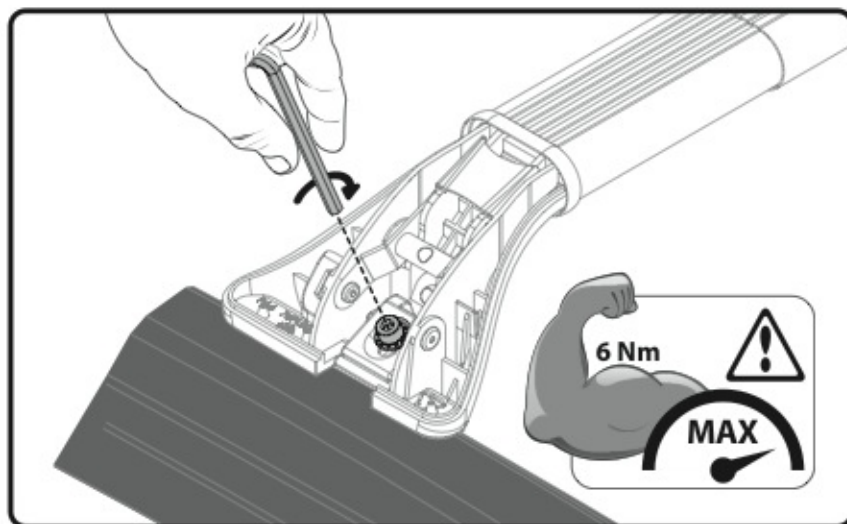
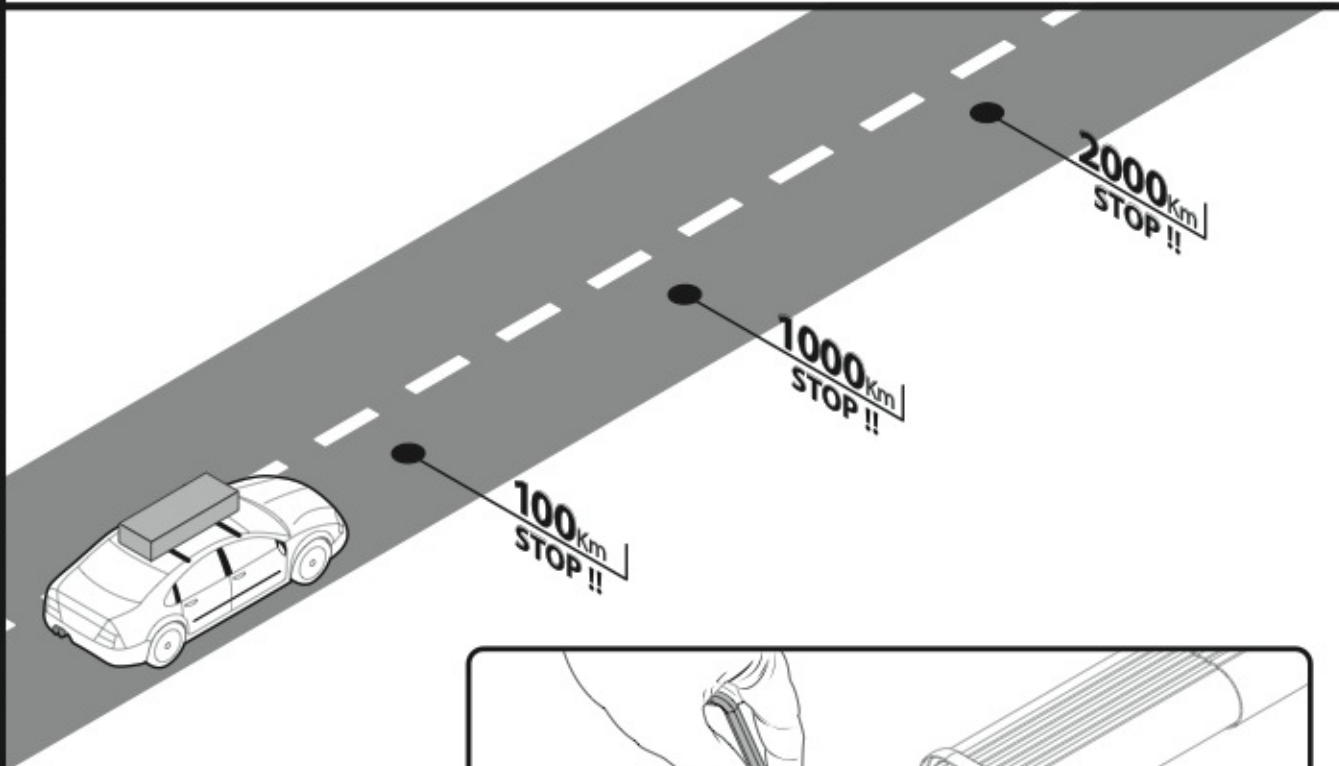
16





# ATTENZIONE

WARNING





**NORDRIVE**<sup>®</sup>  
TRANSPORT SOLUTIONS

is a registered trademark of

**LAMPA S.p.A.**

46019 Viadana (MN) ITALY

Ditta certificata UNI ENI ISO 9001:2008

[www.nordrive.it](http://www.nordrive.it)    [www.lampa.it](http://www.lampa.it)