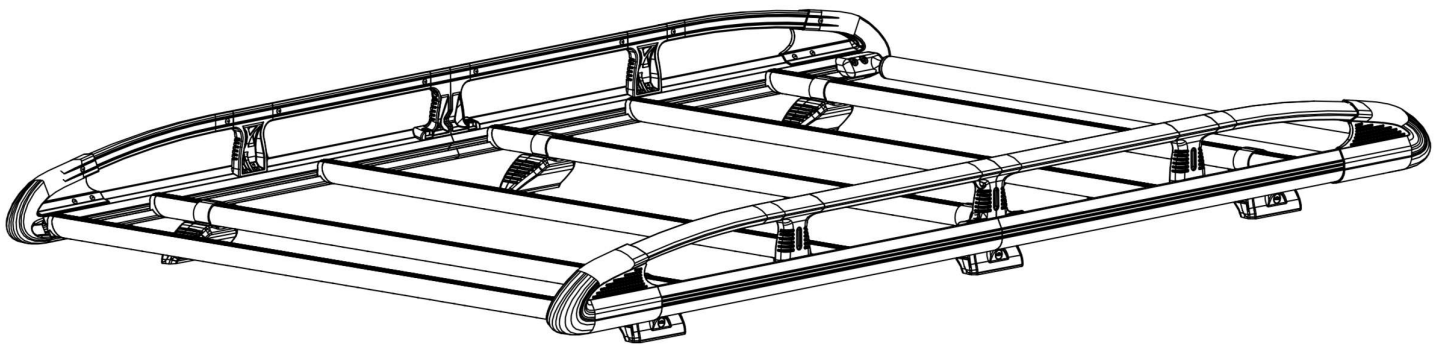


TB3KR

KammRack

Instructions

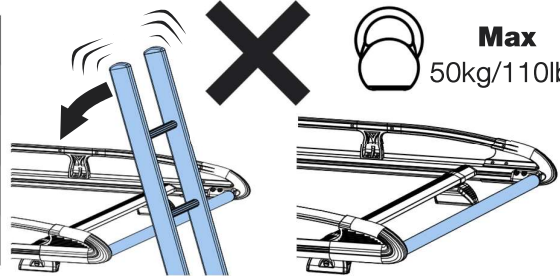
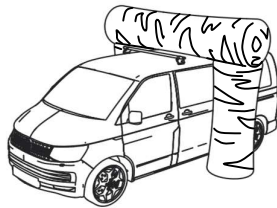
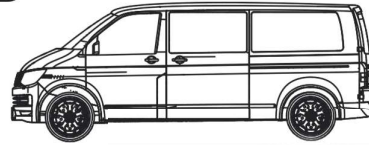


CITY CRASH (✓)

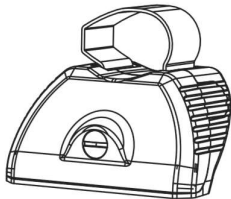
According to ISO/ PAS 11154:2006

TB3KR:

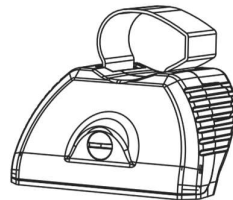
Ford Transit Custom, 2013-



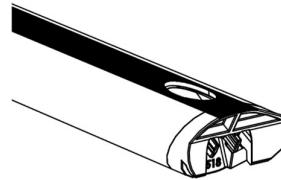
KammRack



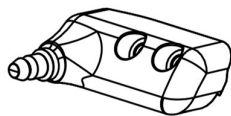
SA397U x 3



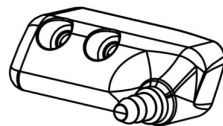
SA398U x 3



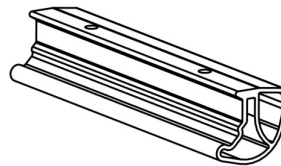
SA429



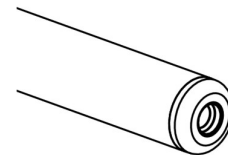
PS519 x 1



PS520 x 1



EXT15-02

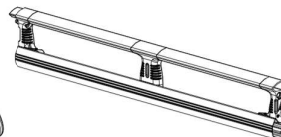
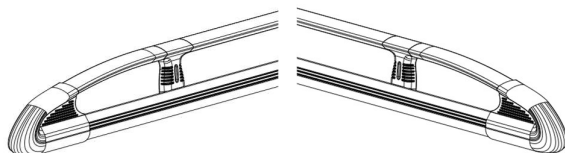


SA437 x 1

LHS x 2

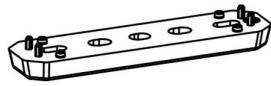
RHS x 2

Centre x 2

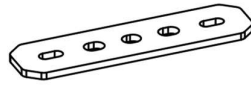


ASF x 1

Fitting Kit



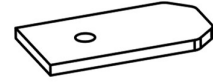
PS178 x 6



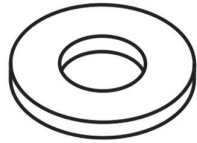
PS404 x 6



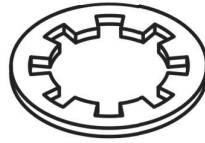
PS492 x 6



PS491 x 6



FW002 (M8) x 12



FW009 (M8) x 12



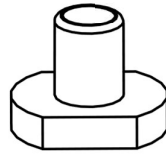
**FS061
(M6 x 35) x 8**



**FS062
(M6 x 25) x 4**



**FS059
(M8 x 25) x 18**



FN085 x 18



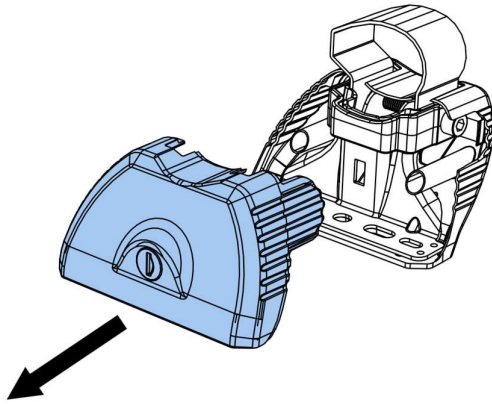
FT01 x 1



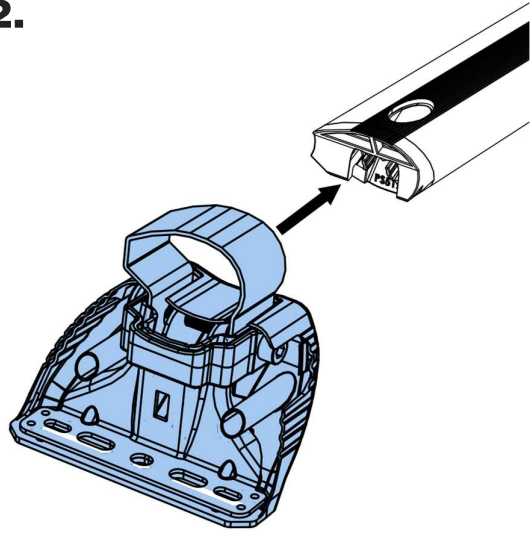
FT05 x 1



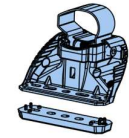
1.



2.



3



SA397U
PS178

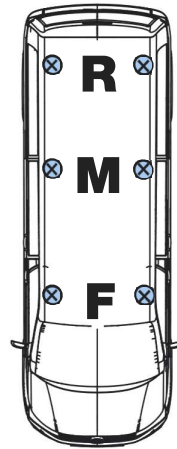


SA397U
PS404



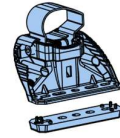
SA397U
PS178

R



F

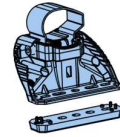
SA398U
PS178



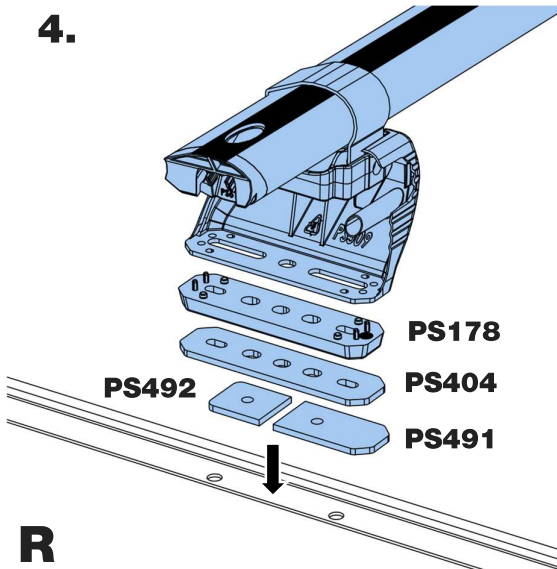
SA398U
PS404



SA398U
PS178

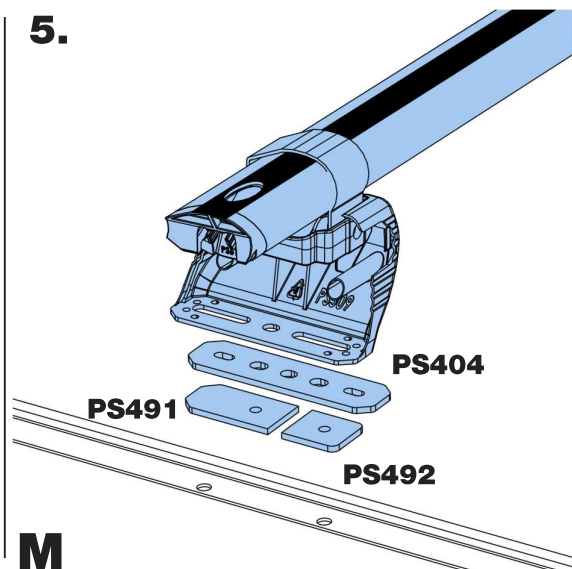


4.

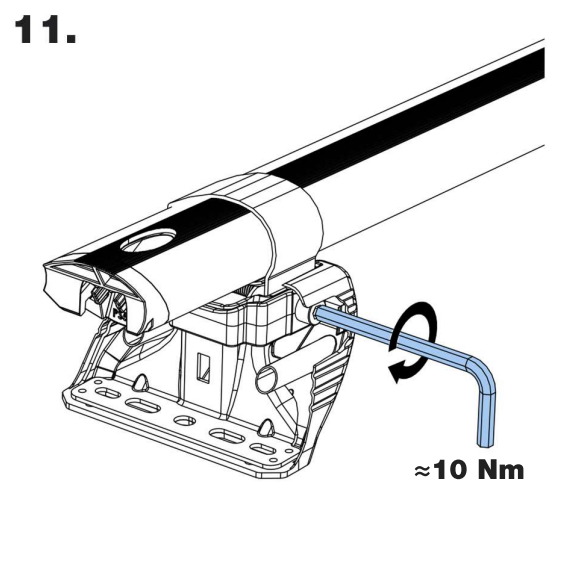
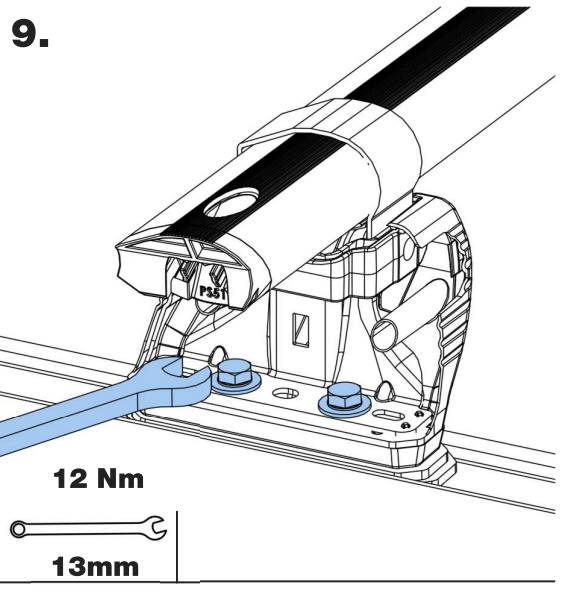
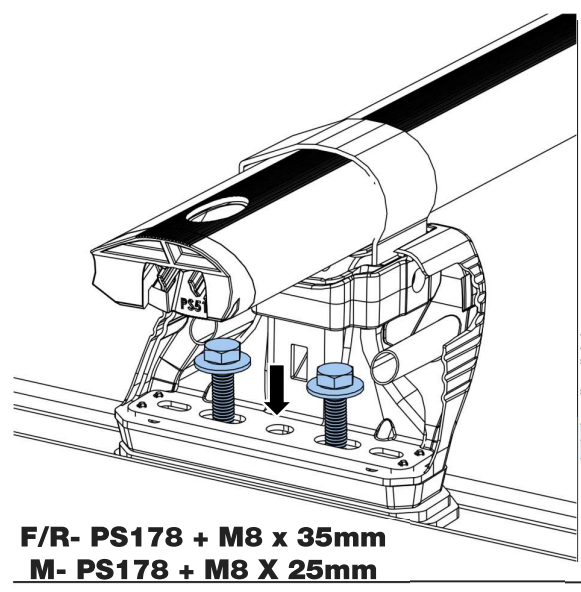
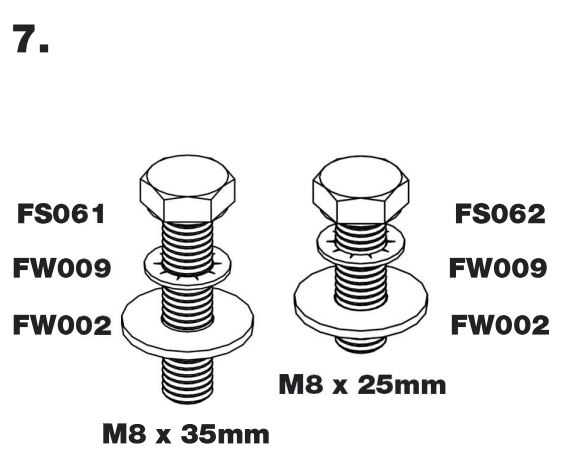
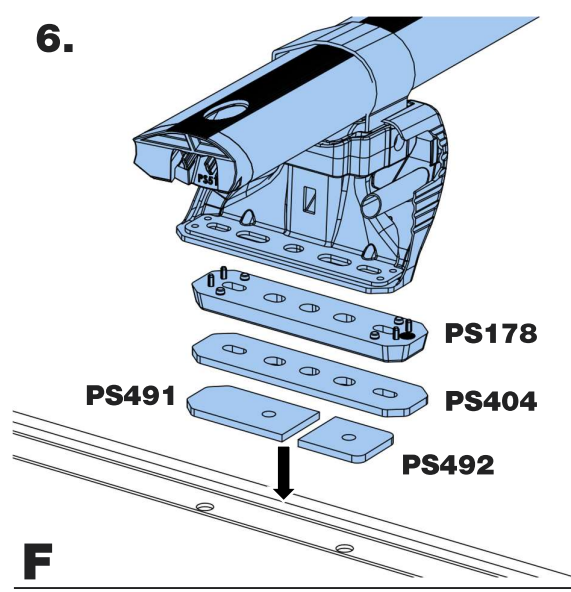


R

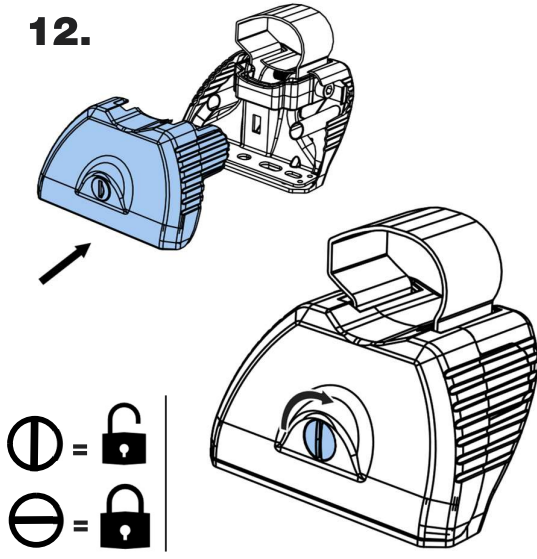
5.



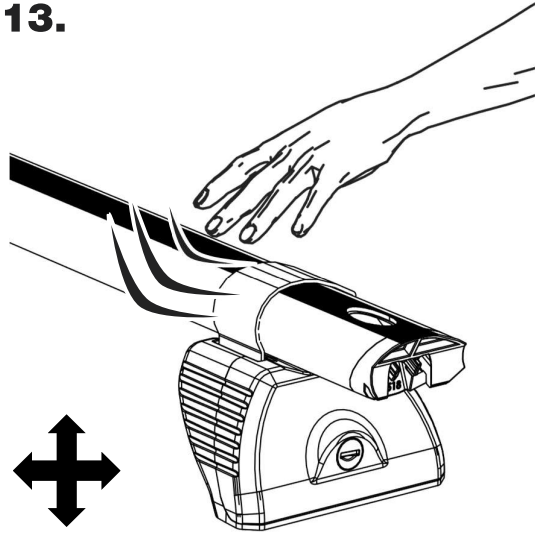
M



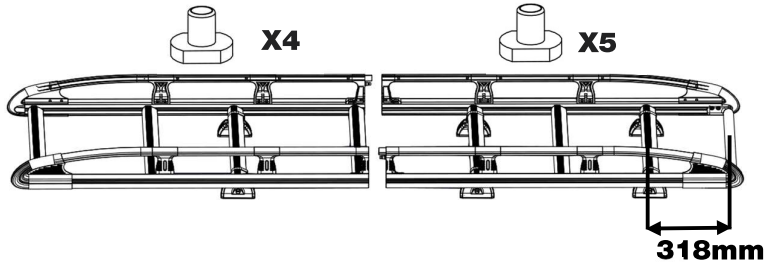
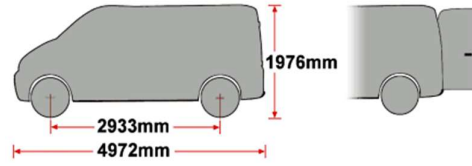
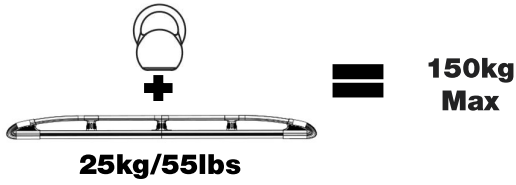
12.



13.

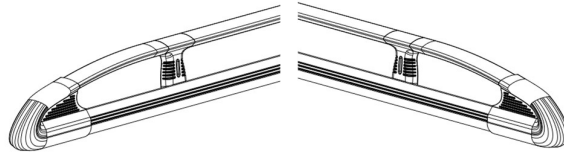


K615- Ford Transit Custom 2012- L1 Twin Doors.

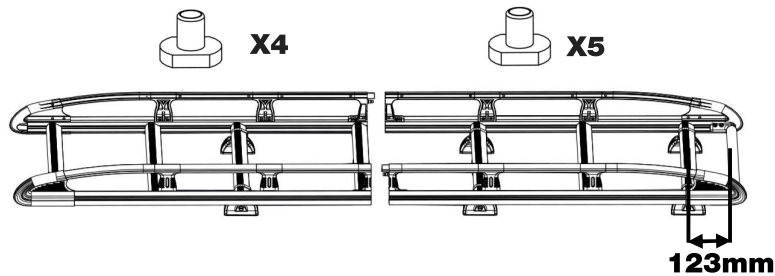
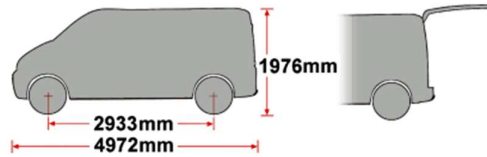
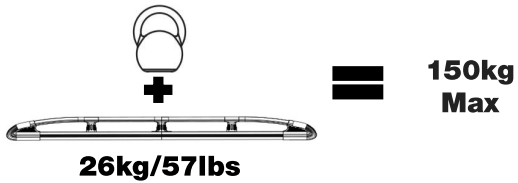


Steps 14-30, 53-62

A

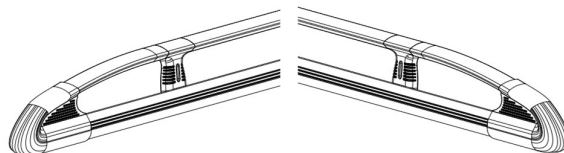


K650- Ford Transit Custom 2012- L1, Tailgate.

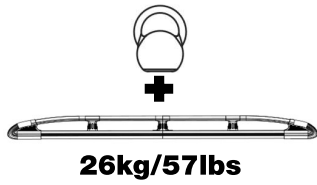


Steps 14-30, 53-62

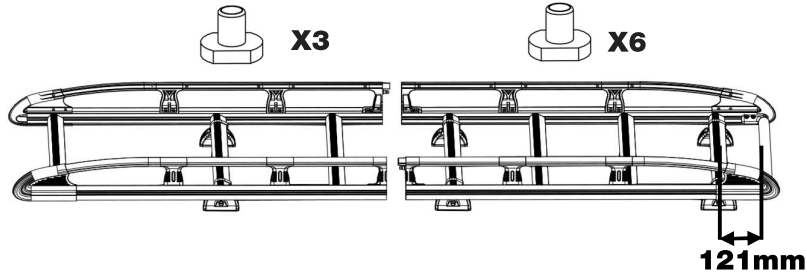
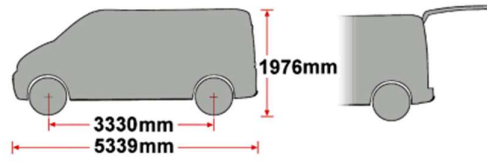
A



K651- Ford Transit Custom 2012- L2, Tailgate.



**150kg
Max**

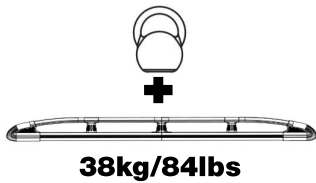


Steps 14-30, 53-62

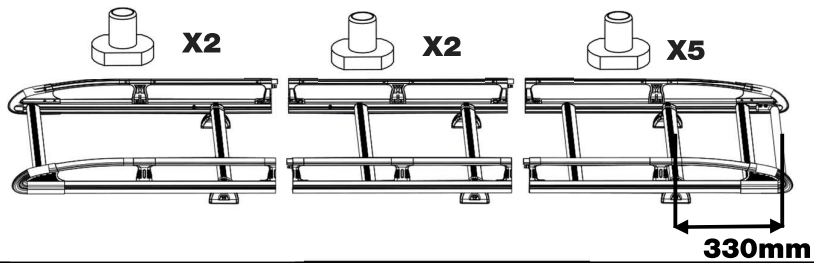
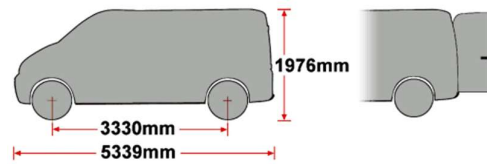
A



K616- Ford Transit Custom 2012- L2, Twin Doors.

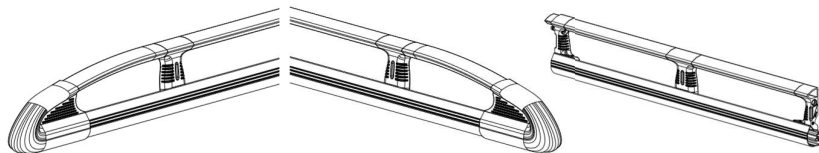


**150kg
Max**

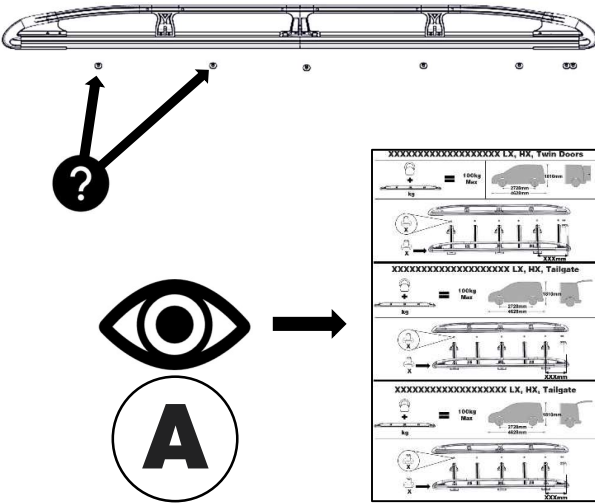


Steps 31-62

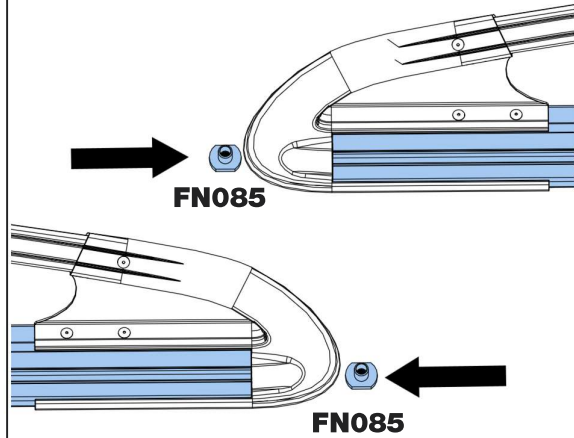
B



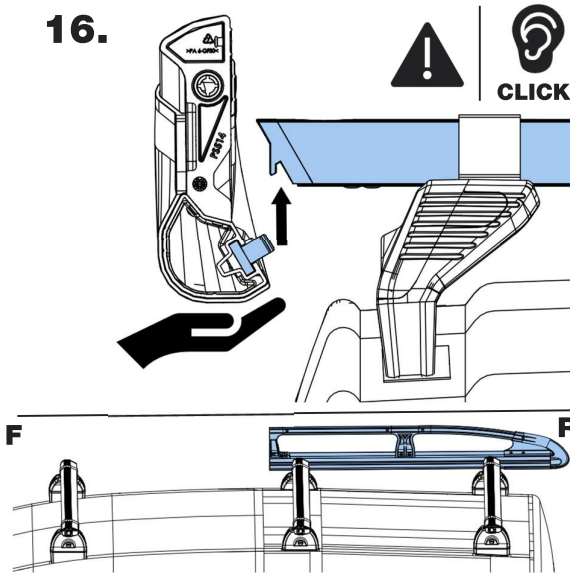
14.



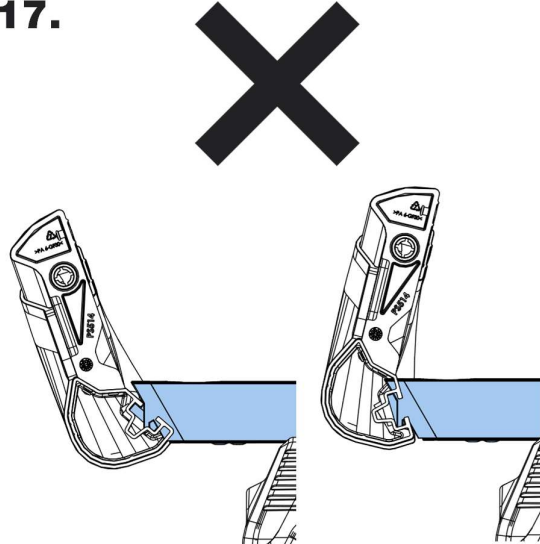
15.



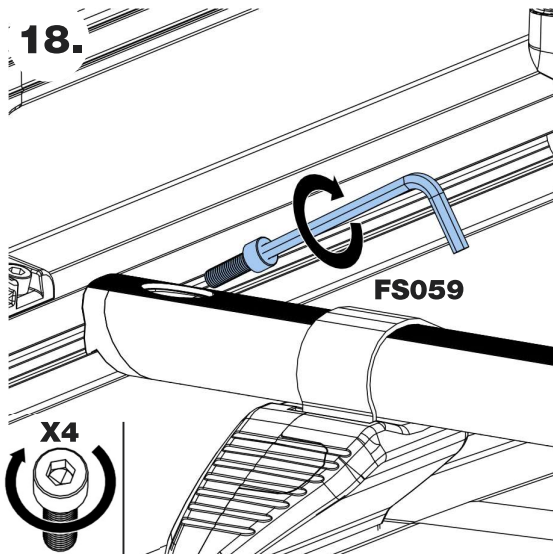
16.



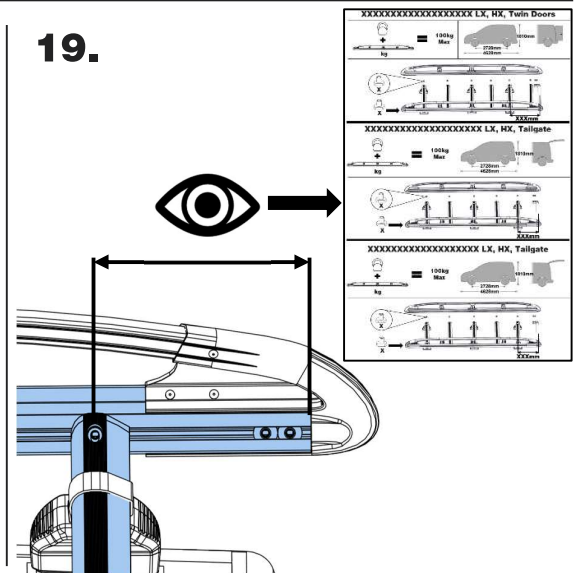
17.

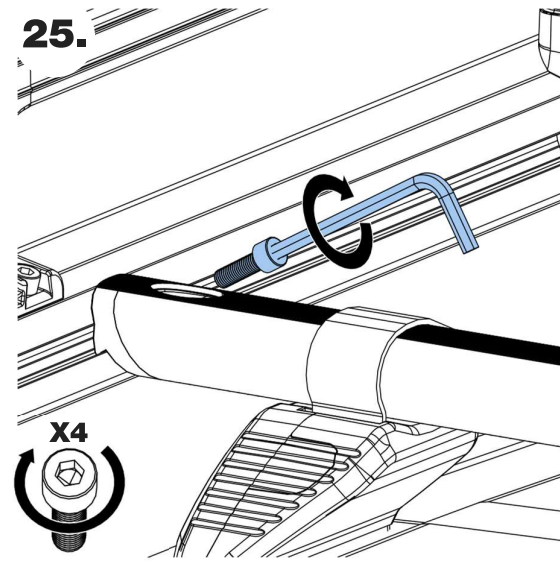
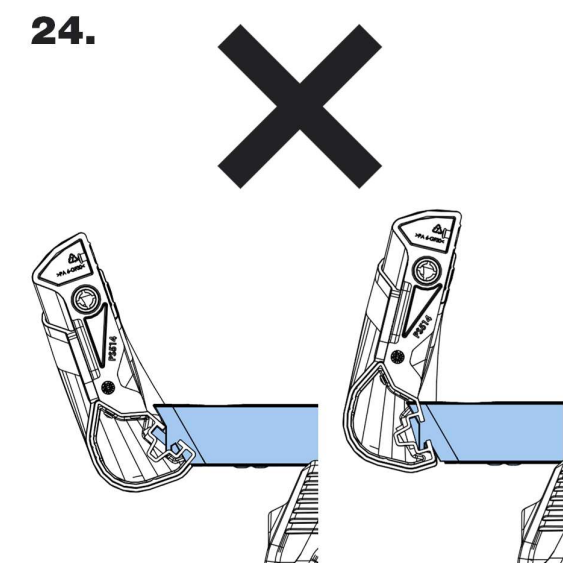
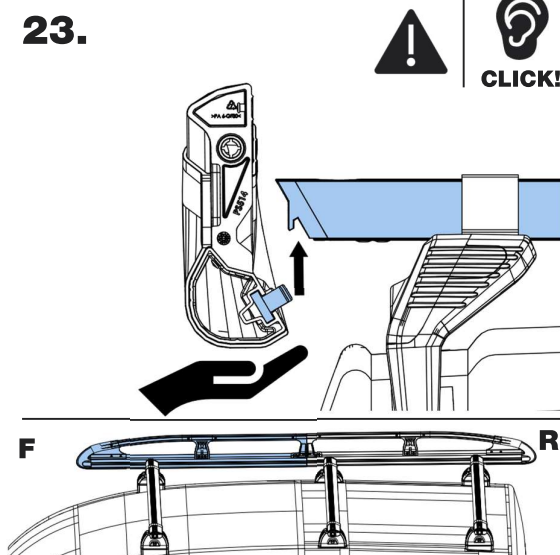
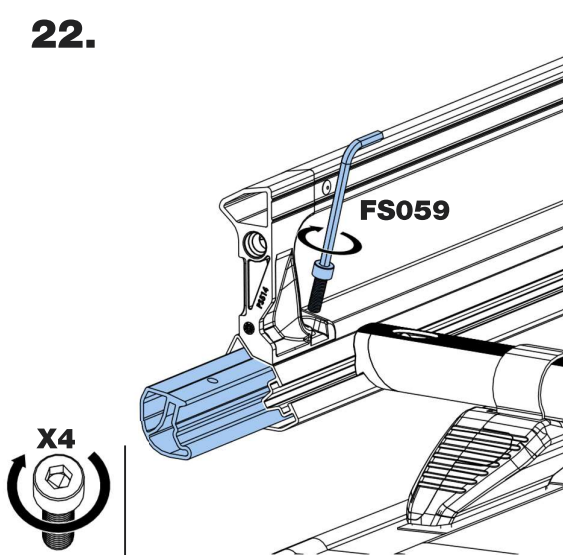
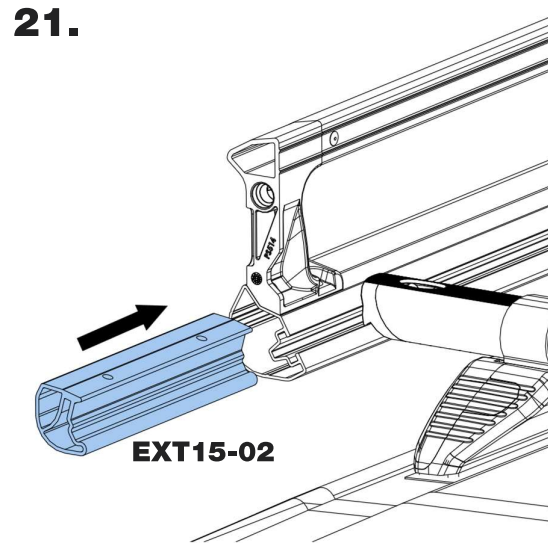
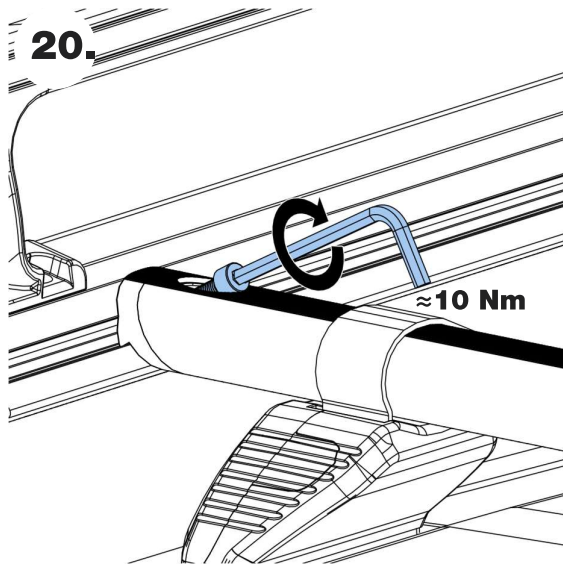


18.

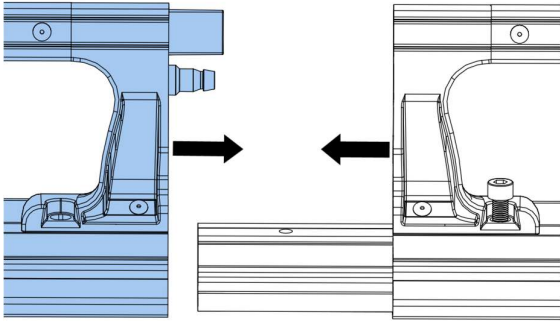


19.

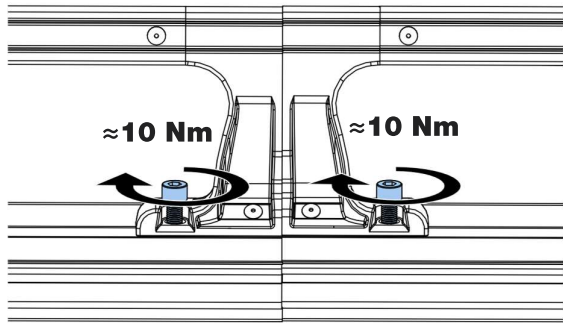




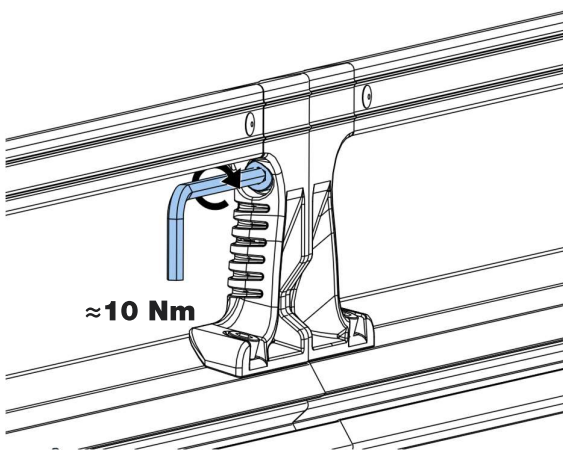
26.



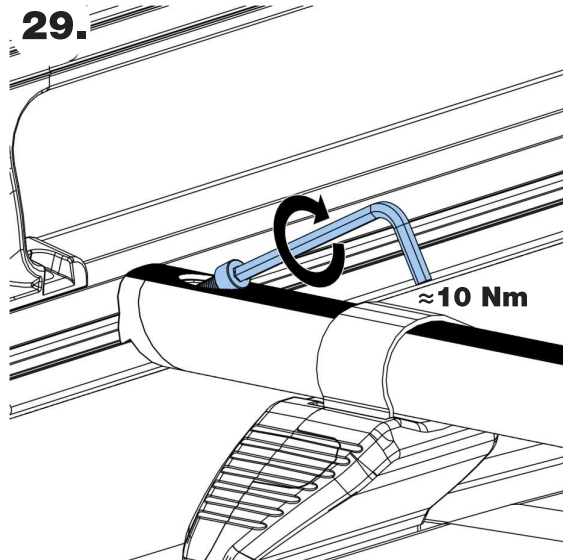
27.



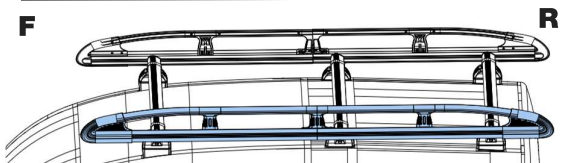
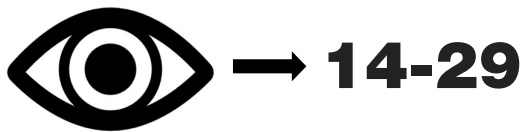
28.



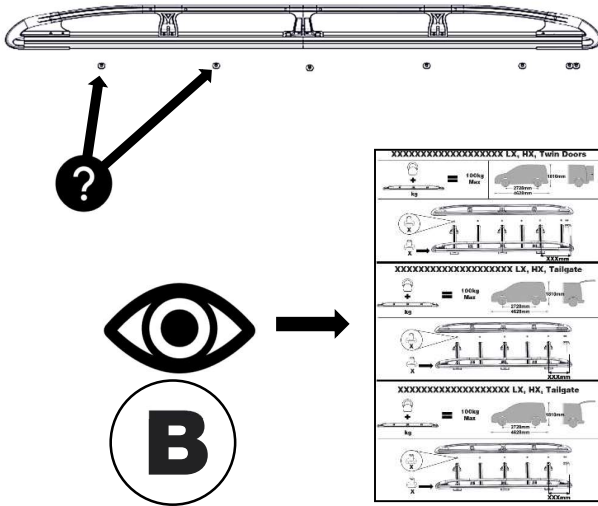
29.



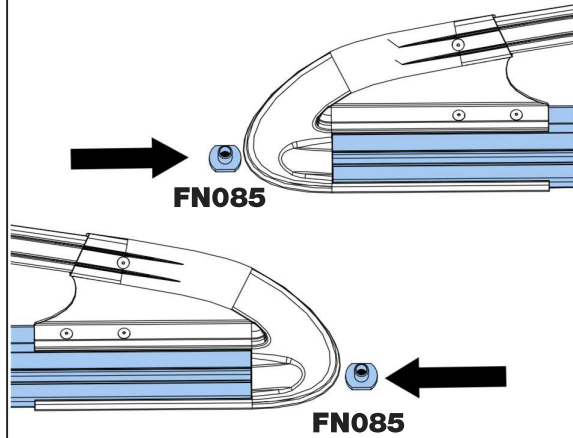
30.



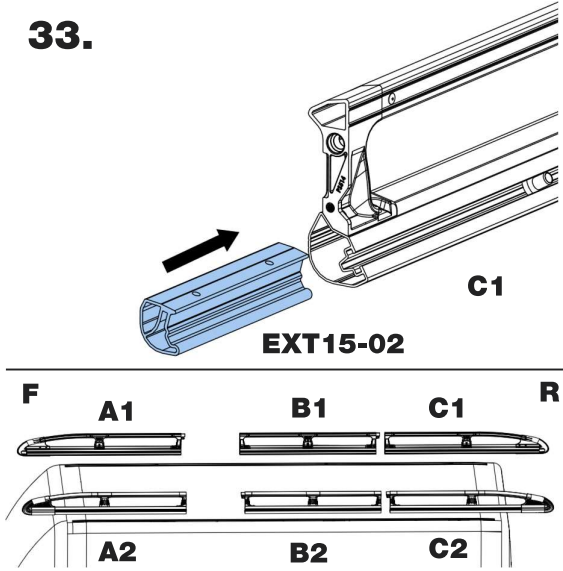
31.



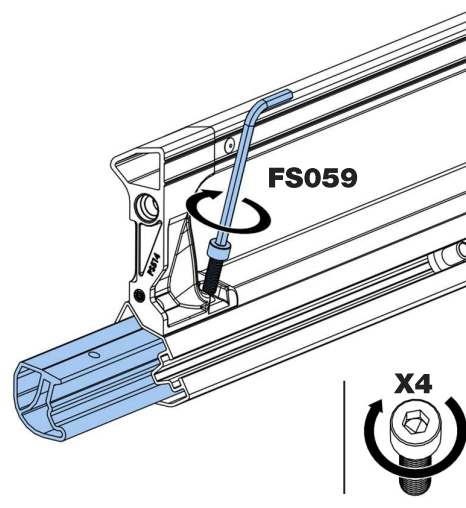
32.



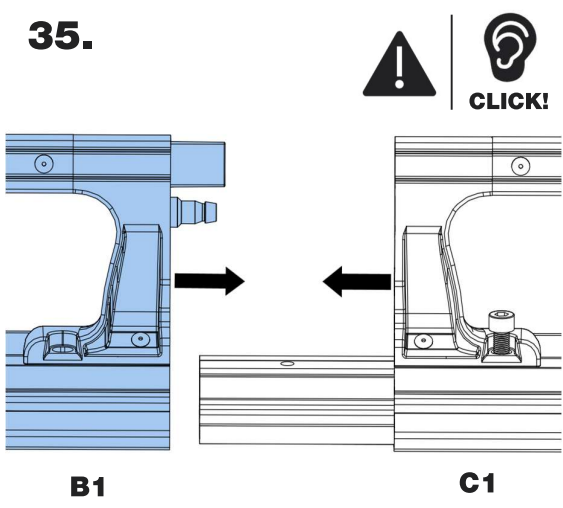
33.



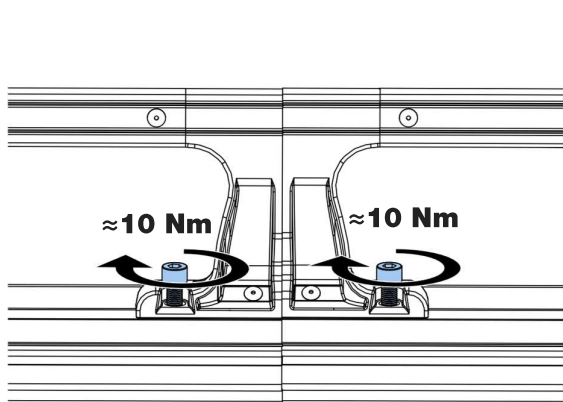
34.



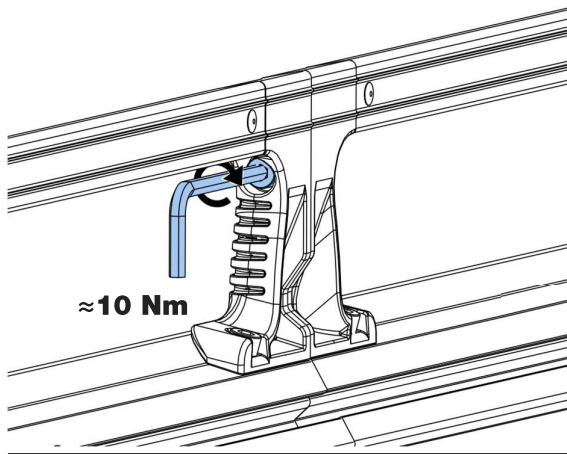
35.



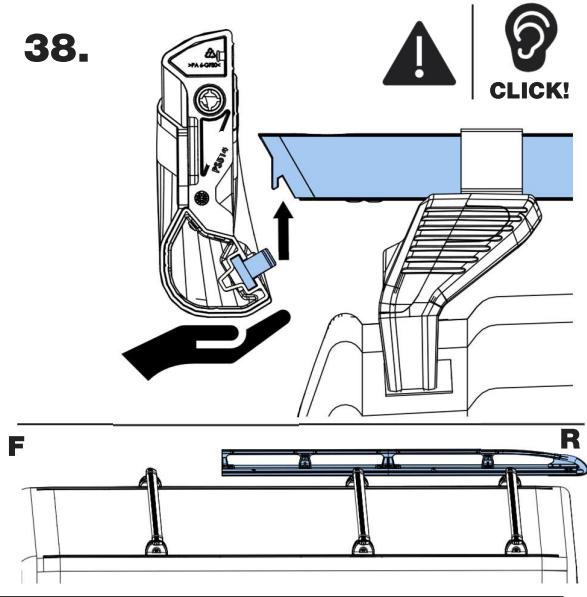
36.



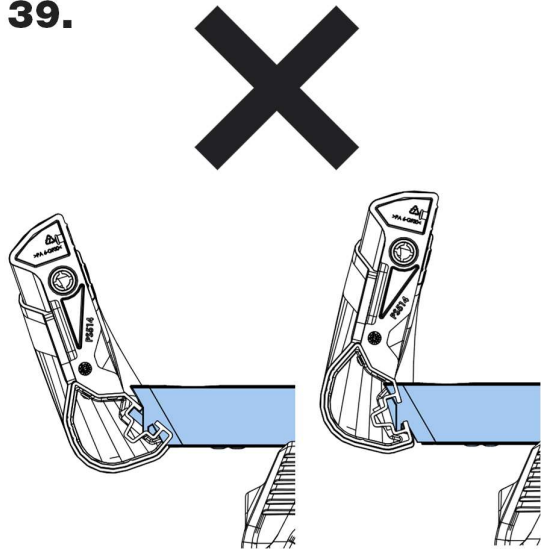
37.



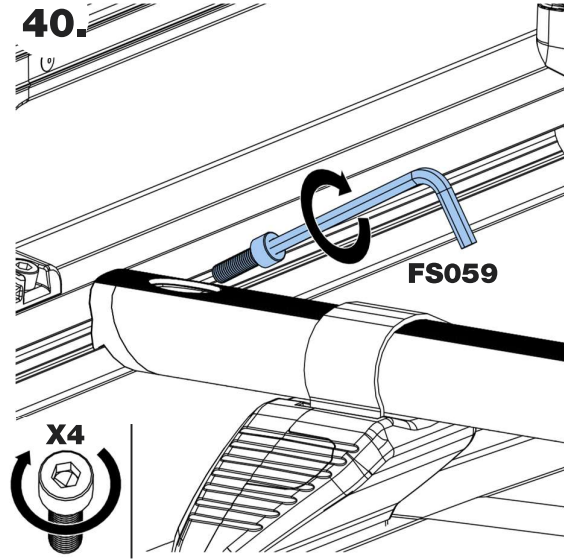
38.



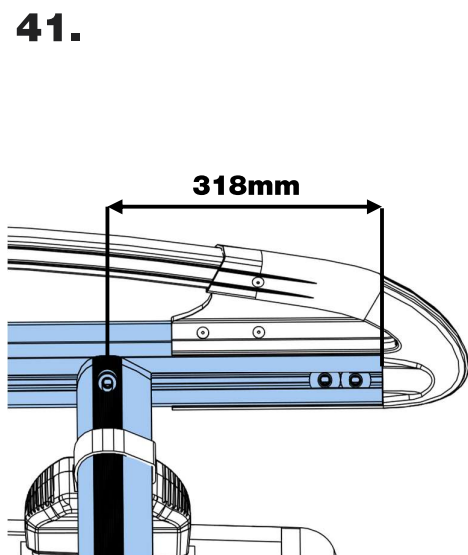
39.



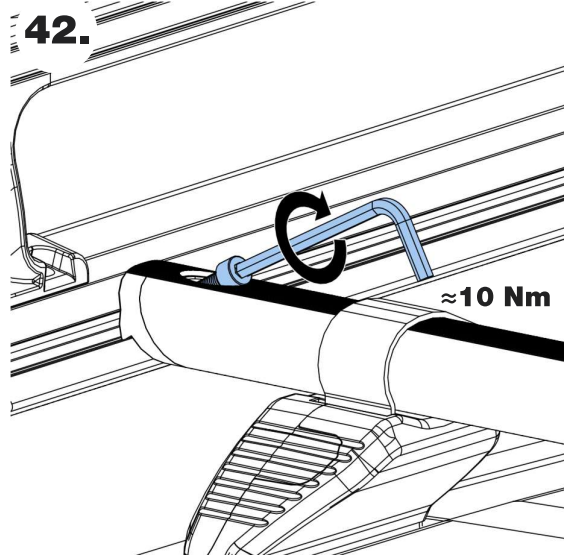
40.



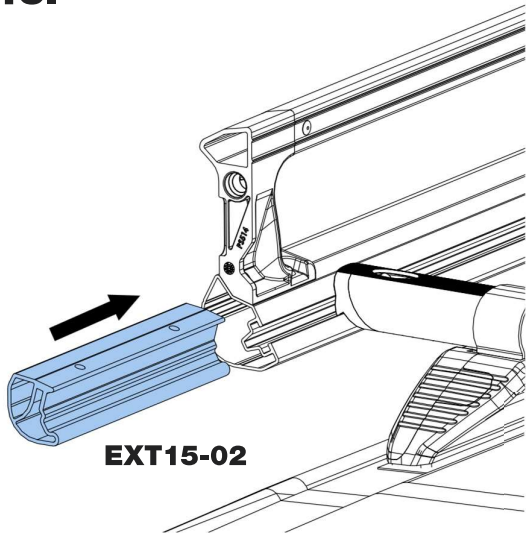
41.



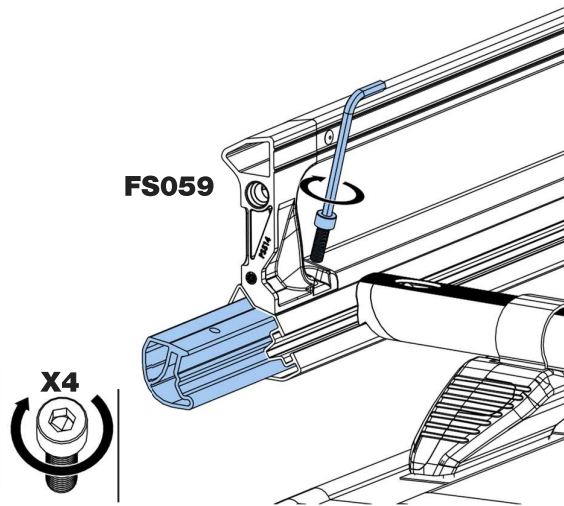
42.



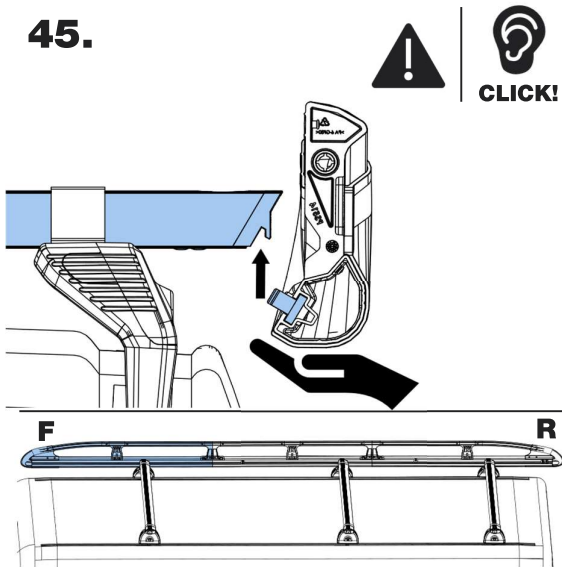
43.



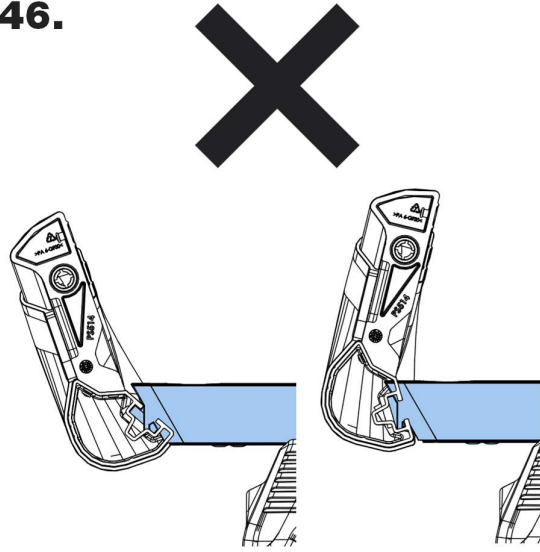
44.



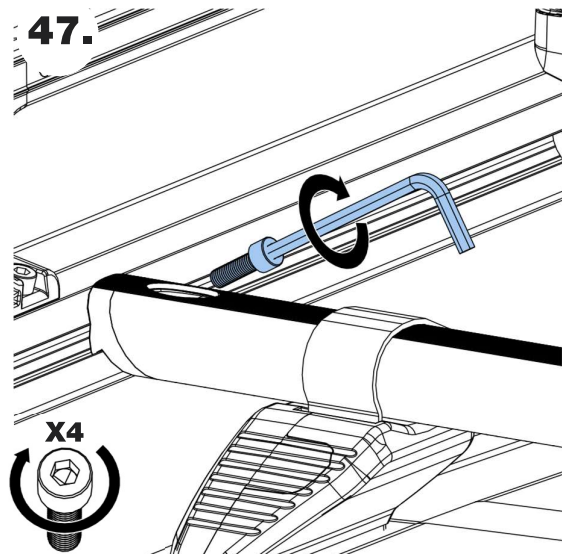
45.



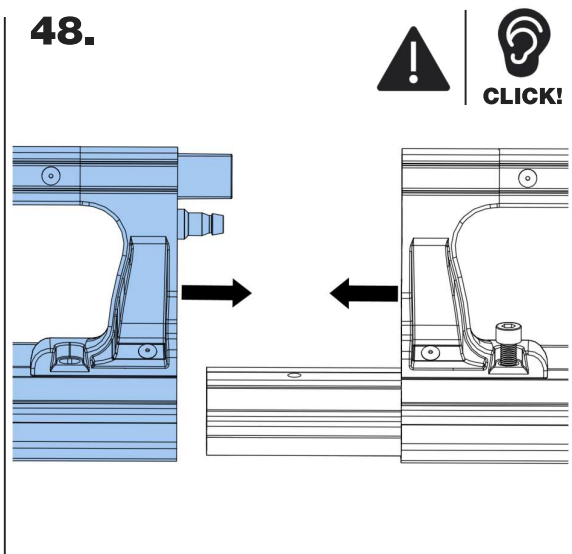
46.



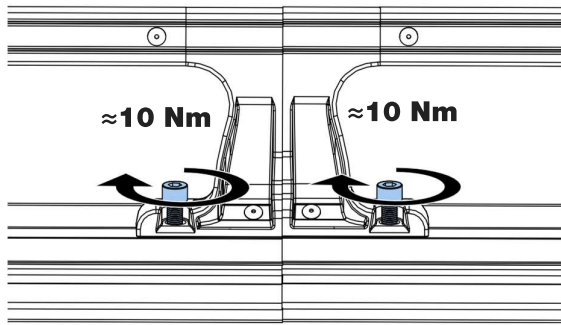
47.



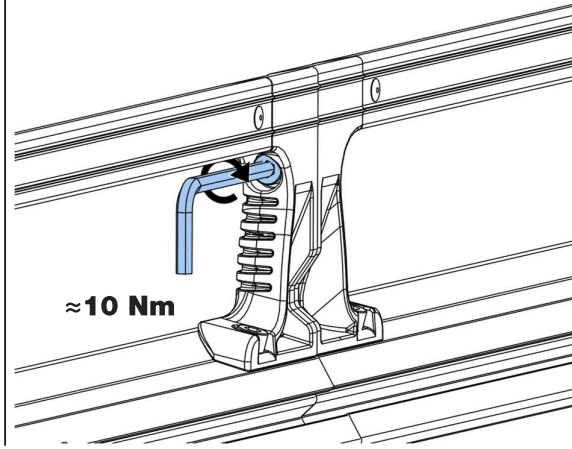
48.



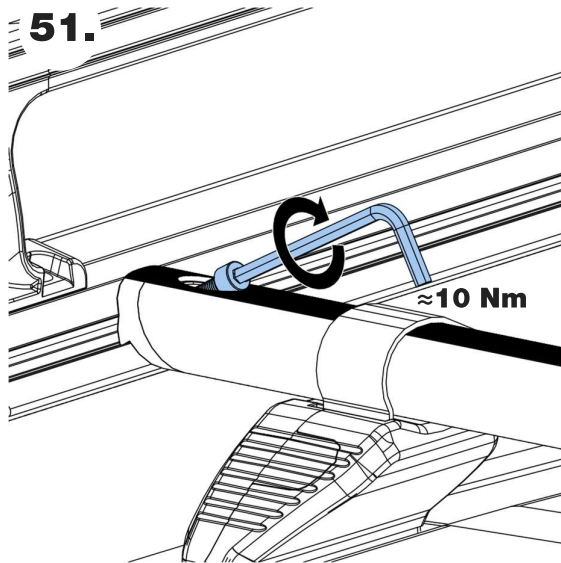
49.



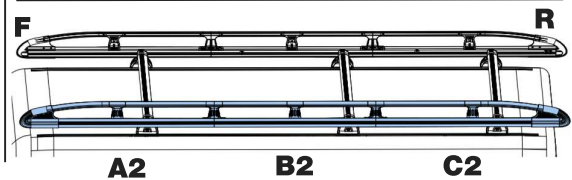
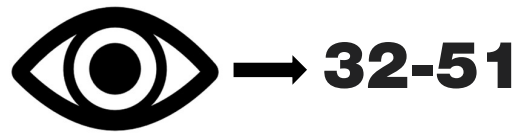
50.



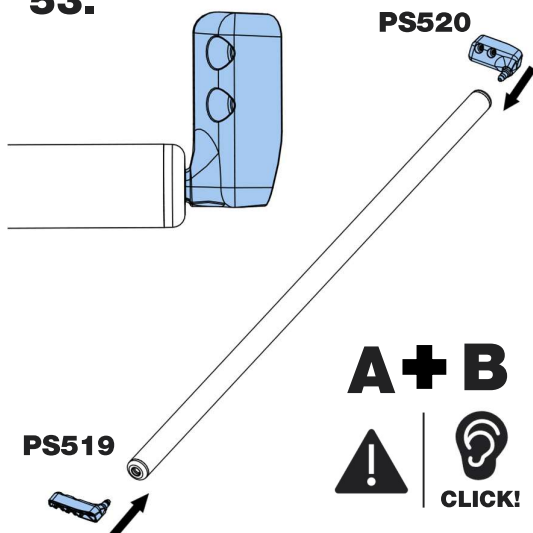
51.



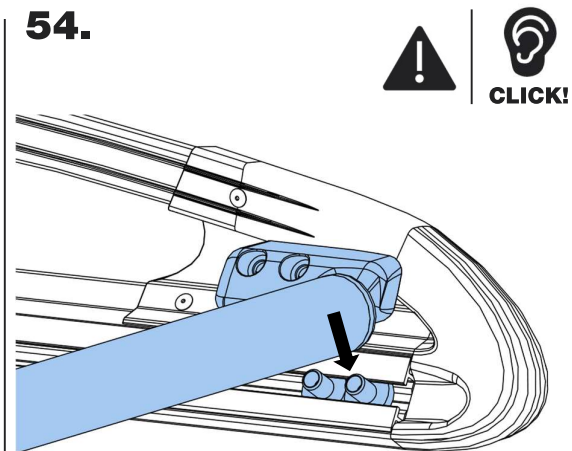
52.



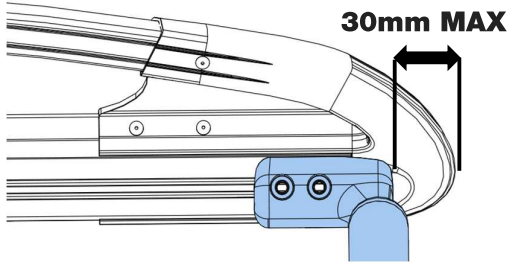
53.



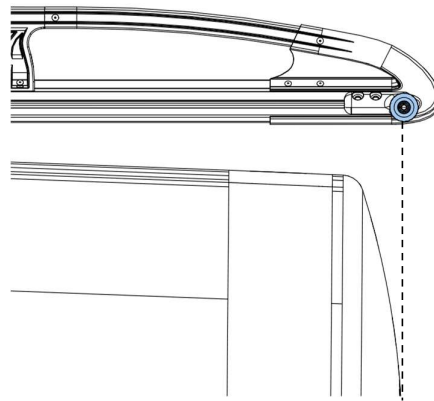
54.



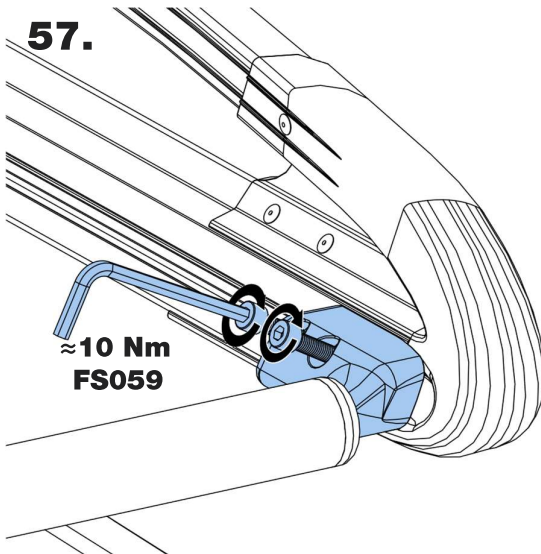
55.



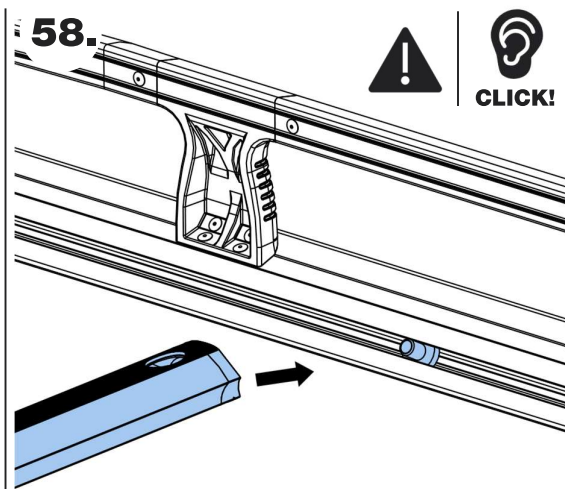
56.



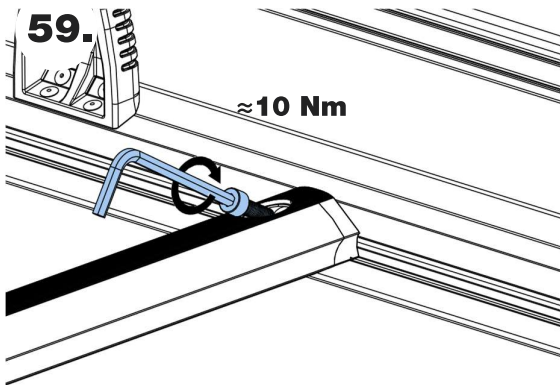
57.



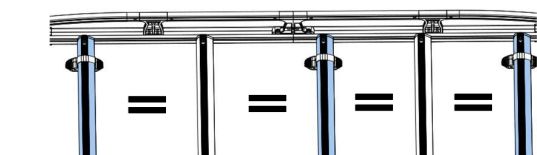
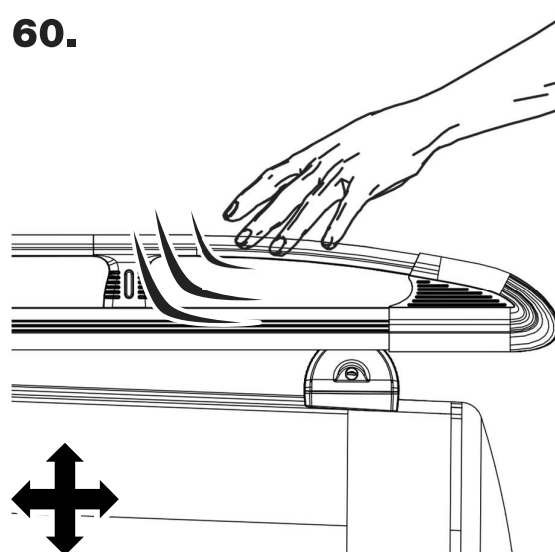
58.



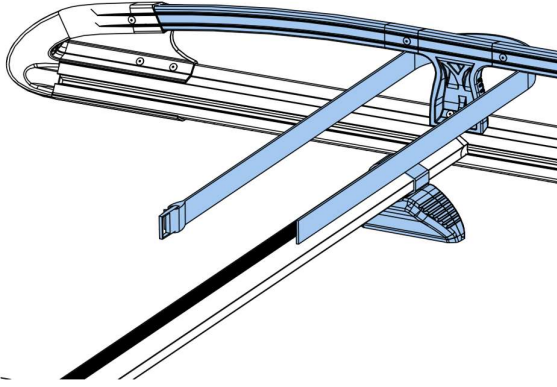
59.



60.



61.



62.

